

# SACC-E-M12FS-4CON-PG9/0,5 - Device connector front mounting



1693788

<https://www.phoenixcontact.com/gb/products/1693788>

Please be informed that the data shown in this PDF document is generated from our Online Catalog. Please find the complete data in the user documentation. Our General Terms of Use for Downloads are valid.



Device connector front mounting, Universal, 4-position, Flush-type female connector, straight, M12-Standard, coding: A , on free cable end, Front mounting, Pg9, Individual wires, cable length: 0.5 m, 0.34 mm<sup>2</sup>, TPE litz wire

## Your advantages

- Pre-assembled with litz wires for immediate use
- Customer-specific assemblies and litz wire lengths available
- Sealed on the litz wire side for optimum leak-tightness
- All standard pin assignments and codings for signal, data, and power transmission with a uniform design-in design
- For high transmission safety: shield connection to the housing with optional EMC nut

## Commercial Data

Item number	1693788
Packing unit	1 pc
Minimum order quantity	1 pc
Sales Key	ABQCDB
Product Key	ABQCDB
Catalog Page	Page 35 (C-2-2019)
GTIN	4017918174330
Weight per Piece (including packing)	30.5 g
Weight per Piece (excluding packing)	20 g
Customs tariff number	85444290
Country of origin	DE

# SACC-E-M12FS-4CON-PG9/0,5 - Device connector front mounting



1693788

<https://www.phoenixcontact.com/gb/products/1693788>

## Technical Data

### Notes

#### Notes on operation

The electrical and mechanical data specified assume that the connector pair is correctly locked and mounted. If the connector is unlocked and if there is a danger of contamination, the connector must be sealed using a protective cap > IP54. Influences arising from litz wires, cables or PCB assembly must also be taken into consideration.

### Safety note

#### Safety note

**WARNING:** The connectors may not be plugged in or disconnected under load. Ignoring the warning or improper use may damage persons and/or property.

- **WARNING:** Commission properly functioning products only. The products must be regularly inspected for damage. Decommission defective products immediately. Replace damaged products. Repairs are not possible.

- **WARNING:** Only electrically qualified personnel may install and operate the product. They must observe the following safety notes. The qualified personnel must be familiar with the basics of electrical engineering. They must be able to recognize and prevent danger. The relevant symbol on the packaging indicates that only personnel familiar with electrical engineering are allowed to install and operate the product.

- The products are suitable for applications in plant, controller, and electrical device engineering.

- When operating the connectors in outdoor applications, they must be separately protected against environmental influences.

- Assembled products may not be manipulated or improperly opened.

- Only use mating connectors that are specified in the technical data of the standards listed (e.g. the ones listed in the product accessories online at [phoenixcontact.com/products](https://www.phoenixcontact.com/products)).

- When using the product in direct connection with third-party manufacturers, the user is responsible.

- For operating voltages > 50 V AC, conductive connector housings must be grounded

- Ensure that when laying the cable, the tensile load on the connectors does not exceed the upper limit specified in the standards.

- Observe the corresponding technical data. You will find information:

- o On the product
- o On the packing label
- o In the supplied documentation
- o Online at [phoenixcontact.com/products](https://www.phoenixcontact.com/products) under the product

- Only use tools recommended by Phoenix Contact

- Use a protective cap to protect connectors that are not in use. The suitable accessories are available online in the accessory section of the product at [phoenixcontact.com/products](https://www.phoenixcontact.com/products)

# SACC-E-M12FS-4CON-PG9/0,5 - Device connector front mounting



1693788

<https://www.phoenixcontact.com/gb/products/1693788>

	<ul style="list-style-type: none"> <li>• Ensure that the protective or functional ground has been properly connected.</li> </ul>
	<ul style="list-style-type: none"> <li>• VDE 0100/1.97 § 411.1.3.2 and DIN EN 60 204/11.98 § 14.1.3 are applicable when combining several circuits in a cable and/or connector</li> </ul>
	<ul style="list-style-type: none"> <li>• The connector warms up in normal operation. Depending on the ambient conditions, the surface of the connector can continue to warm up. In this case, the user is responsible for posting warnings (e.g. DIN EN ISO 13732-1:2008-12).</li> </ul>

## Mounting

Mounting type	Front mounting Pg9
---------------	--------------------

## Product properties

Product type	Circular connectors (device side)
Number of positions	4
No. of cable outlets	1
Shielded	no
Coding	A
Thread type	M12

### Insulation characteristics

Overvoltage category	II
Degree of pollution	3

## Material specifications

Flammability rating according to UL 94	V0
Seal material	FKM
Contact material	CuZn
Contact surface material	Ni/Au
Contact carrier material	PA 66
Material for screw connection	Zinc die-cast, nickel-plated

## Electrical properties

Rated surge voltage	2.5 kV
Contact resistance	≤ 3 mΩ
Insulation resistance	≥ 100 MΩ
Nominal voltage $U_N$	250 V (AC)
	250 V (DC)
Nominal current $I_N$	4 A

## Connection data

### Conductor connection

Connection method	Individual wires
Type of contact	Crimp contacts

# SACC-E-M12FS-4CON-PG9/0,5 - Device connector front mounting



1693788

<https://www.phoenixcontact.com/gb/products/1693788>

Conductor cross section	0.34 mm <sup>2</sup>
Tightening torque	3 Nm
	4 Nm

## Connector

### Connection 1

Head design	Flush-type female connector
Head cable outlet	straight
Head thread type	M12
Head locking type	Standard
Coding	A

### Connection 2

Head design	free cable end
-------------	----------------

## Cable/line

Cable length	0.5 m
Shielded	no
Cable type	TPE litz wire
Signal type/category	Universal
Conductor material	Tin-plated Cu litz wires
Conductor structure signal line	7x 0.25 mm
AWG signal line	22
Conductor cross section	0.34 mm <sup>2</sup>
Material wire insulation	TPE
Thickness, insulation	0.21 mm
Wire diameter incl. insulation	1.2 mm ±0.07 mm
Single wire, color	brown, white, blue, black
Nominal voltage, cable	300 V
Test voltage, cable	2000 V AC
Cable resistance	≤ 57.6 Ω/km
Cable insulation resistance	≥ 20 MΩ*km
Ambient temperature (operation)	-25 °C ... 85 °C
	-40 °C ... 85 °C (cable, fixed installation)

## Environmental and real-life conditions

### Ambient conditions

Degree of protection	IP67
	IP67
Ambient temperature (operation)	-25 °C ... 85 °C (Plug / socket)
	-40 °C ... 85 °C (without mechanical actuation)
	-25 °C ... 85 °C

# SACC-E-M12FS-4CON-PG9/0,5 - Device connector front mounting



1693788

<https://www.phoenixcontact.com/gb/products/1693788>

-40 °C ... 85 °C (cable, fixed installation)
--

## Standards and regulations

M12

Standards/specifications
--------------------------

IEC 61076-2-101
-----------------

# SACC-E-M12FS-4CON-PG9/0,5 - Device connector front mounting

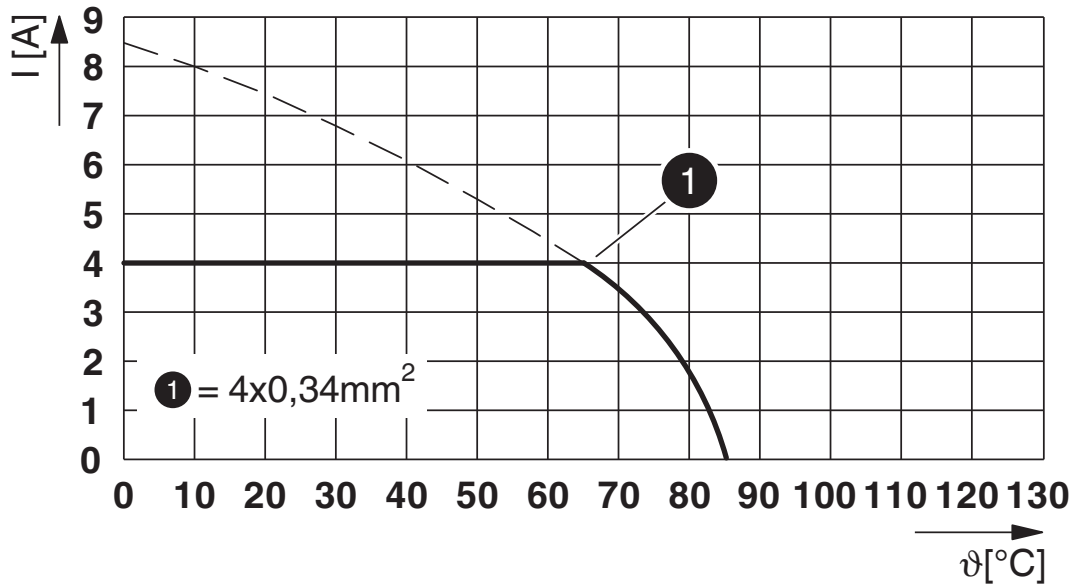


1693788

<https://www.phoenixcontact.com/gb/products/1693788>

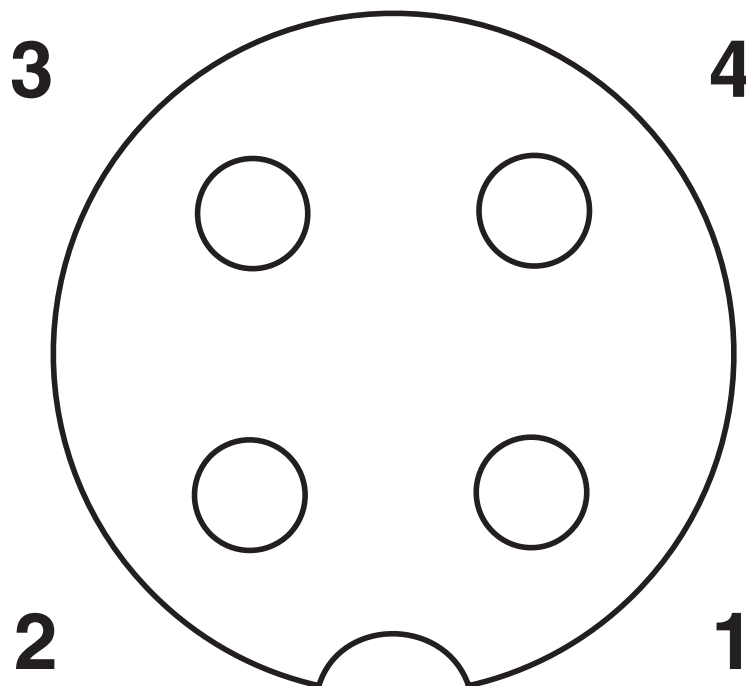
## Drawings

Diagram



I = current strength, T = ambient temperature

Schematic diagram



Pin assignment M12 socket, 4-pos., A-coded, view female side

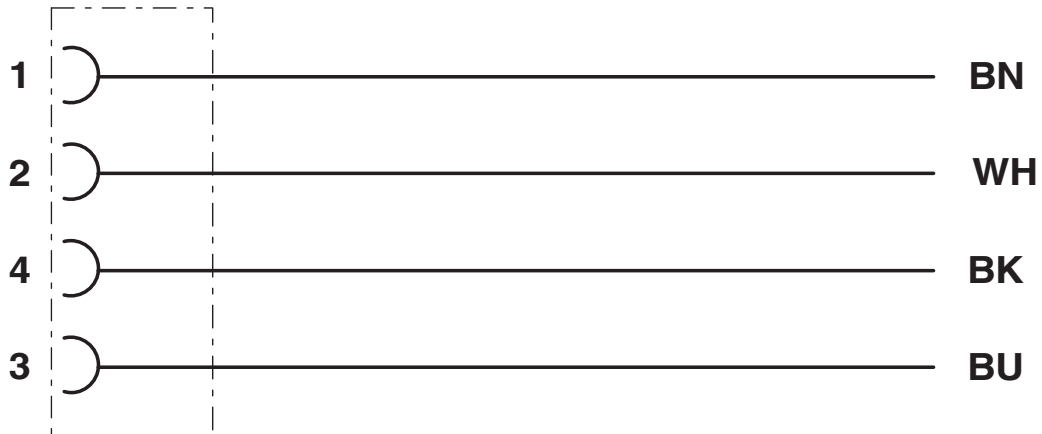
# SACC-E-M12FS-4CON-PG9/0,5 - Device connector front mounting



1693788

<https://www.phoenixcontact.com/gb/products/1693788>

## Circuit diagram



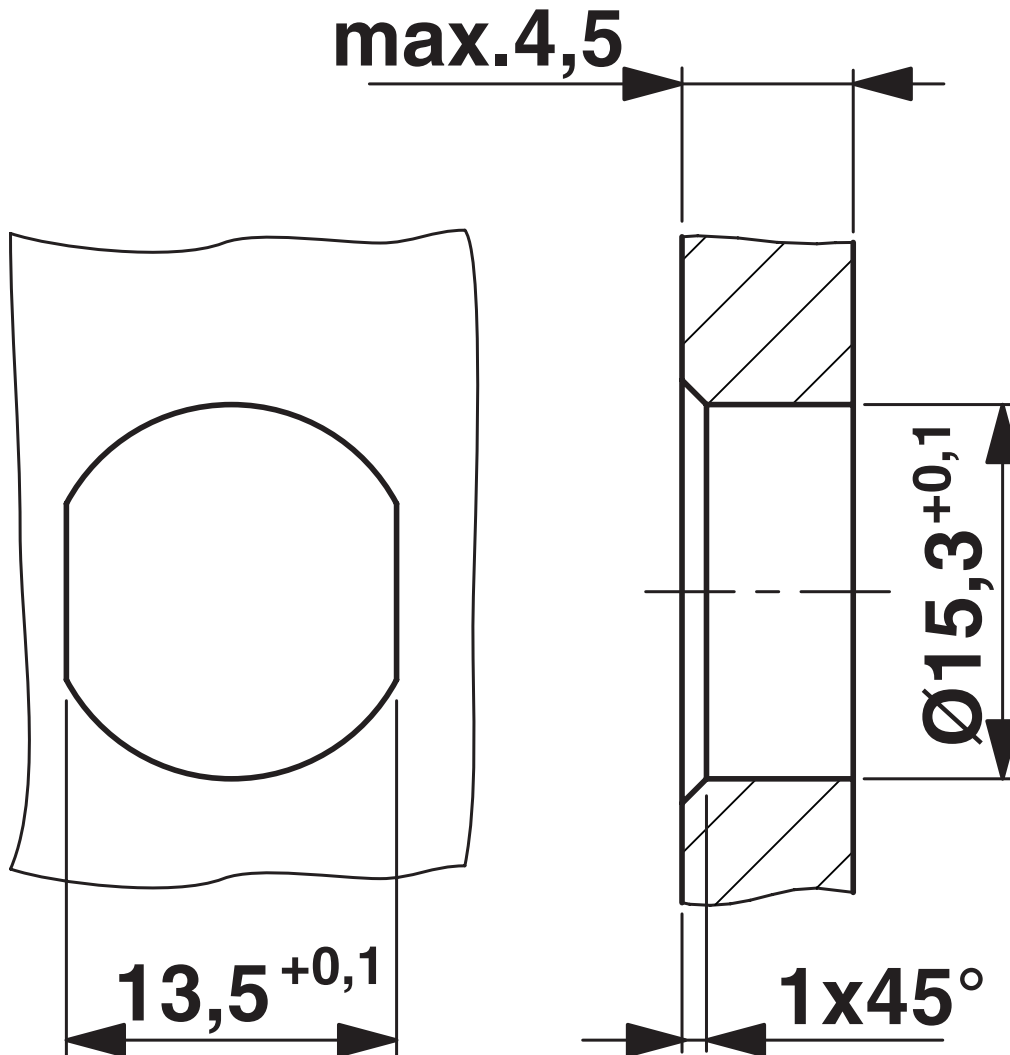
# SACC-E-M12FS-4CON-PG9/0,5 - Device connector front mounting



1693788

<https://www.phoenixcontact.com/gb/products/1693788>

Dimensional drawing



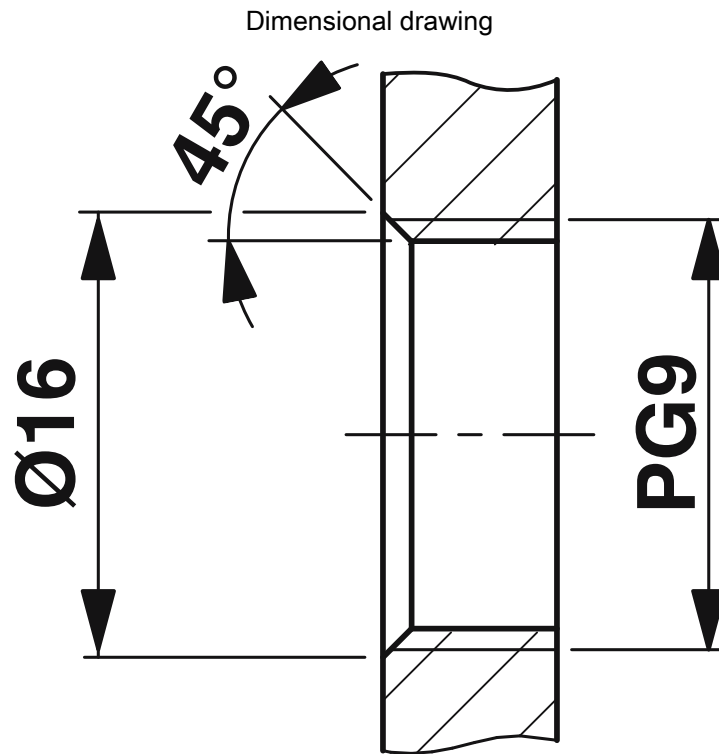
Housing cutout for Pg9 fastening thread, mounting panel with feed-through hole (alternatively with surface as protection against rotation)

# SACC-E-M12FS-4CON-PG9/0,5 - Device connector front mounting

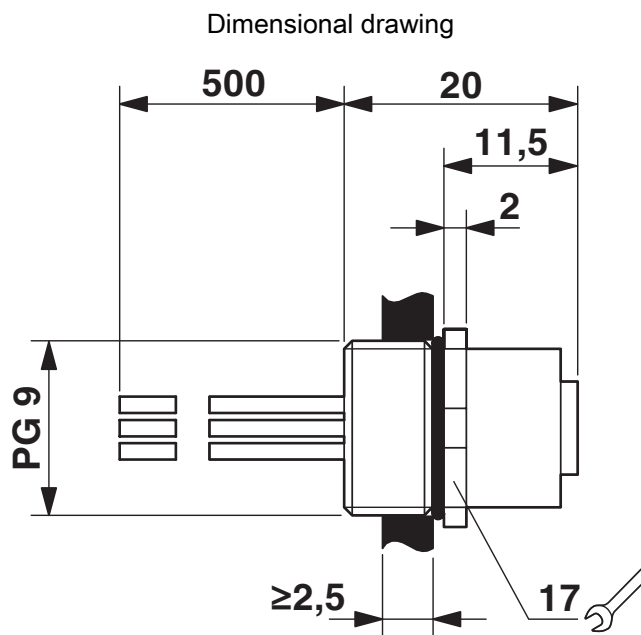


1693788

<https://www.phoenixcontact.com/gb/products/1693788>



Housing cutout for Pg9 fastening thread, mounting panel with thread



Dimensional drawing


# SACC-E-M12FS-4CON-PG9/0,5 - Device connector front mounting





1693788

<https://www.phoenixcontact.com/gb/products/1693788>

## Approvals

 <b>cUL Recognized</b> Approval ID: E118976-20100522				
	Nominal Voltage $U_N$	Nominal Current $I_N$	Cross Section AWG	Cross Section $\text{mm}^2$
	250 V	4 A	- 22	-

 <b>UL Recognized</b> Approval ID: E118976-20100522				
	Nominal Voltage $U_N$	Nominal Current $I_N$	Cross Section AWG	Cross Section $\text{mm}^2$
	250 V	4 A	- 22	-

 <b>EAC</b> Approval ID: B.01687				
---	--	--	--	--

 <b>cULus Recognized</b> Approval ID: E221474-20140616				
	Nominal Voltage $U_N$	Nominal Current $I_N$	Cross Section AWG	Cross Section $\text{mm}^2$
	250 V	4 A	22 - 20	-

# SACC-E-M12FS-4CON-PG9/0,5 - Device connector front mounting



1693788

<https://www.phoenixcontact.com/gb/products/1693788>

## Classifications

### ECLASS

ECLASS-11.0	27440102
ECLASS-12.0	27440116
ECLASS-13.0	27440116

### ETIM

ETIM 8.0	EC002635
----------	----------

### UNSPSC

UNSPSC 21.0	39121400
-------------	----------

# SACC-E-M12FS-4CON-PG9/0,5 - Device connector front mounting



1693788

<https://www.phoenixcontact.com/gb/products/1693788>

## Environmental Product Compliance

China RoHS	Environmentally friendly use period: unlimited = EFUP-e
	No hazardous substances above threshold values

Phoenix Contact 2023 © - all rights reserved  
<https://www.phoenixcontact.com>

PHOENIX CONTACT Ltd  
Halesfield 13, Telford  
Shropshire, TF7 4PG  
01952 681700  
[info@phoenixcontact.co.uk](mailto:info@phoenixcontact.co.uk)



**SCATTERGOOD  
& JOHNSON LTD**  
ELECTRICAL ENGINEERING & FLUID CONTROL DISTRIBUTORS

Est.1899

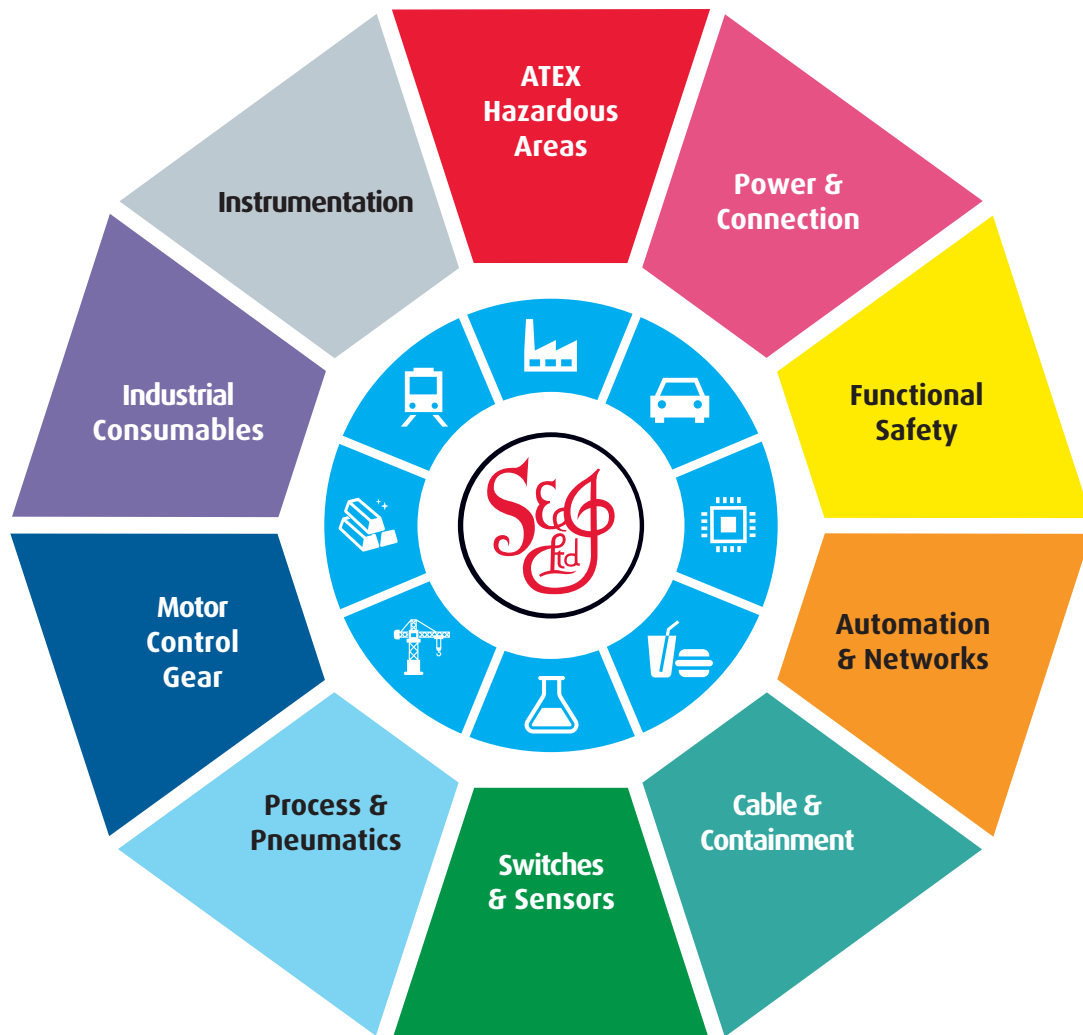
At Scattergood & Johnson Ltd, we pride ourselves on being a technical distributor to specialist industries.

Working with a range of quality product manufacturers across a number of specialist markets, we are not your average 'box shifter' - we are your technical and supply chain partner.

We fully support every product we sell - for free! Our internal team and external sales engineers can answer any product or application question, no matter the complexity.

Backing up this technical ability is a range of 50,000+ products available from stock for nationwide next day delivery (same day if required!), or you can collect what you need from any of our trade counters around the UK.

Select your specialist interest below to learn more about how we can help.



Online, In Branch and On the Road - Scattergood & Johnson Ltd, there when you need us.

**[www.scatts.co.uk](http://www.scatts.co.uk)**