

ENCLOSURE HEATER

LP 165 | 60 W to 150 W



- > Clip fixing and pressure clamp for quick mounting
- > Dynamic heating up through PTC technology
- > Heater body in loop design for optimal temperature distribution
- > Wide voltage range
- > Additional approvals

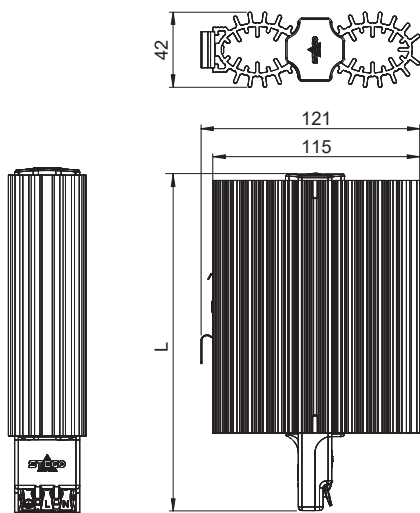
Compact heater with PTC heating elements for heating enclosures with electrical or electronic components. The heater prevents too low temperatures and thus condensation harming the components. The design of the aluminium profile creates a chimney effect, which ensures great convection resulting in excellent heat dissipation within the enclosure. The practical push-in clamping terminal ensures quick and easy electrical connection. The heaters are designed for continuous operation.



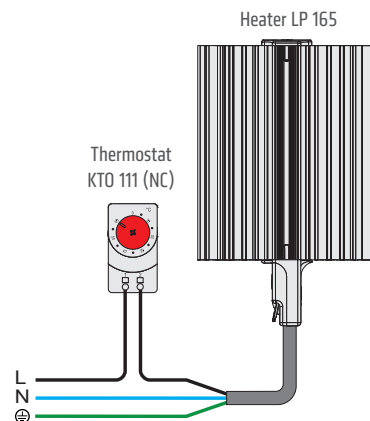
TECHNICAL DATA

Operating voltage	AC/DC 120-240 V (min. 110 V, max. 265 V)
Heating element	PTC resistor - temperature limiting
Heater body	extruded aluminium profile, anodised
Connection	3 x pressure clamps for stranded wire 0.5 - 1.5 mm ² (with wire end ferule) and rigid wire 0.5 - 2.5 mm ²
Connection casing	plastic according to UL94 V-0, black
Mounting	clip for 35 mm DIN rail, EN 60715
Fitting position	vertical airflow (air outlet up, connection on bottom)
Operating/Storage temperature	-45 °C to +70 °C (-49 °F to +158 °F)
Operating/Storage humidity	< 90 % RH (non-condensing)
Protection type/Protection class	IP20 / I (earthed)
Approvals	VDE UL File No. 234324 EAC

Note other voltages on request



Example of connection



Art. No.	Heating capacity ¹	Inrush current max.	Recommended pre-fuse T (time-delay)	Length (L)	Weight (approx.)
16501.0-00	60 W	4.0 A	6.0 A	107 mm	0.3 kg
16502.0-00	75 W	4.0 A	6.0 A	107 mm	0.3 kg
16503.0-00	100 W	6.0 A	8.0 A	167 mm	0.5 kg
16504.0-00	150 W	8.0 A	10.0 A	167 mm	0.5 kg

¹ measured at +20 °C (+68 °F) ambient temperature



**SCATTERGOOD
& JOHNSON LTD**
ELECTRICAL ENGINEERING & FLUID CONTROL DISTRIBUTORS

Est.1899

At Scattergood & Johnson Ltd, we pride ourselves on being a technical distributor to specialist industries.

Working with a range of quality product manufacturers across a number of specialist markets, we are not your average 'box shifter' - we are your technical and supply chain partner.

We fully support every product we sell - for free! Our internal team and external sales engineers can answer any product or application question, no matter the complexity.

Backing up this technical ability is a range of 50,000+ products available from stock for nationwide next day delivery (same day if required!), or you can collect what you need from any of our trade counters around the UK.

Select your specialist interest below to learn more about how we can help.



Online, In Branch and On the Road - Scattergood & Johnson Ltd, there when you need us.

www.scatts.co.uk