



DATASHEET





QUICK CHANGERS

v1.3



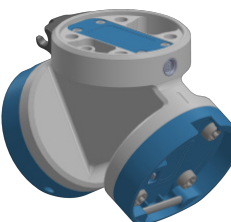
1. Datasheet

1.1. Quick Changers

Quick Changer

Name	Quick Changer I/O support – Robot Side	Quick Changer - Robot Side	Quick Changer - Robot Side 4.5A	Quick Changer - Robot Side
Item #	102326	102037	104277	109498
Version	QC-R – I/O	QC-R v2	QC-R v2-4.5	QC-R v3
Illustration				

Dual Quick Changer

Name	Dual Quick Changer	Dual Quick Changer 4.5A	Dual Quick Changer
Item #	101788	104293	109878
Version	Dual QC v2	Dual QC v2-4.5	Dual QC v3
Illustration			

If not specified, the data represent the combination of the different Quick Changer types/sides.

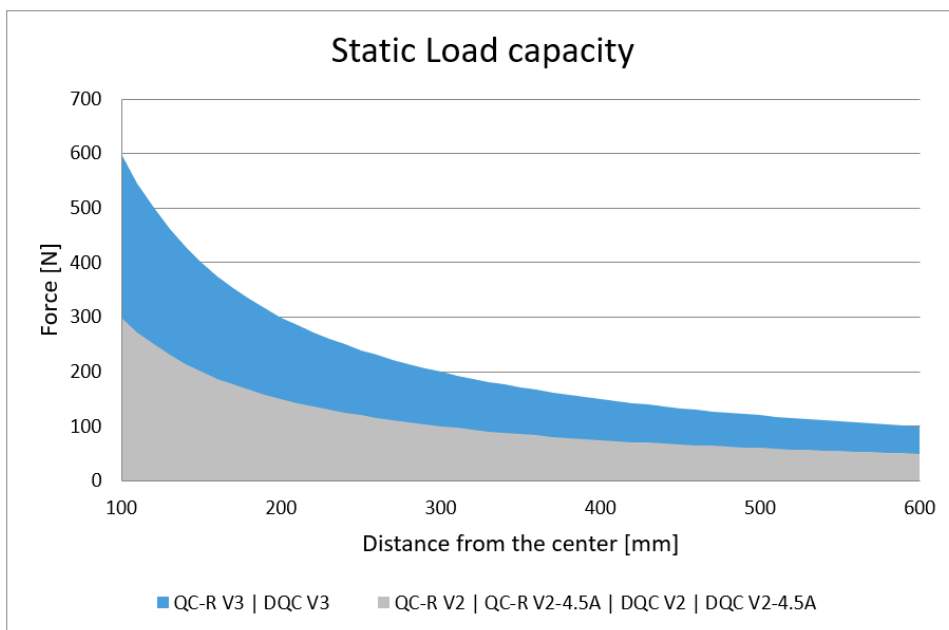
Technical data	Min	Typical	Max	Units
Permissible force *	-	-	600*	[N]
Permissible torque *	-	-	60*	[Nm]
Rated payload *	-	-	20*	[kg]
	-	-	44	[lbs]
Repeatability	-	-	±0.02	[mm]
IP Classification	67			
Operating life (Tool change)	-	5.000	-	[cycles]
Operating life (Robot operation)	-	10	-	[M cycles]

* See static load capacity graph below.

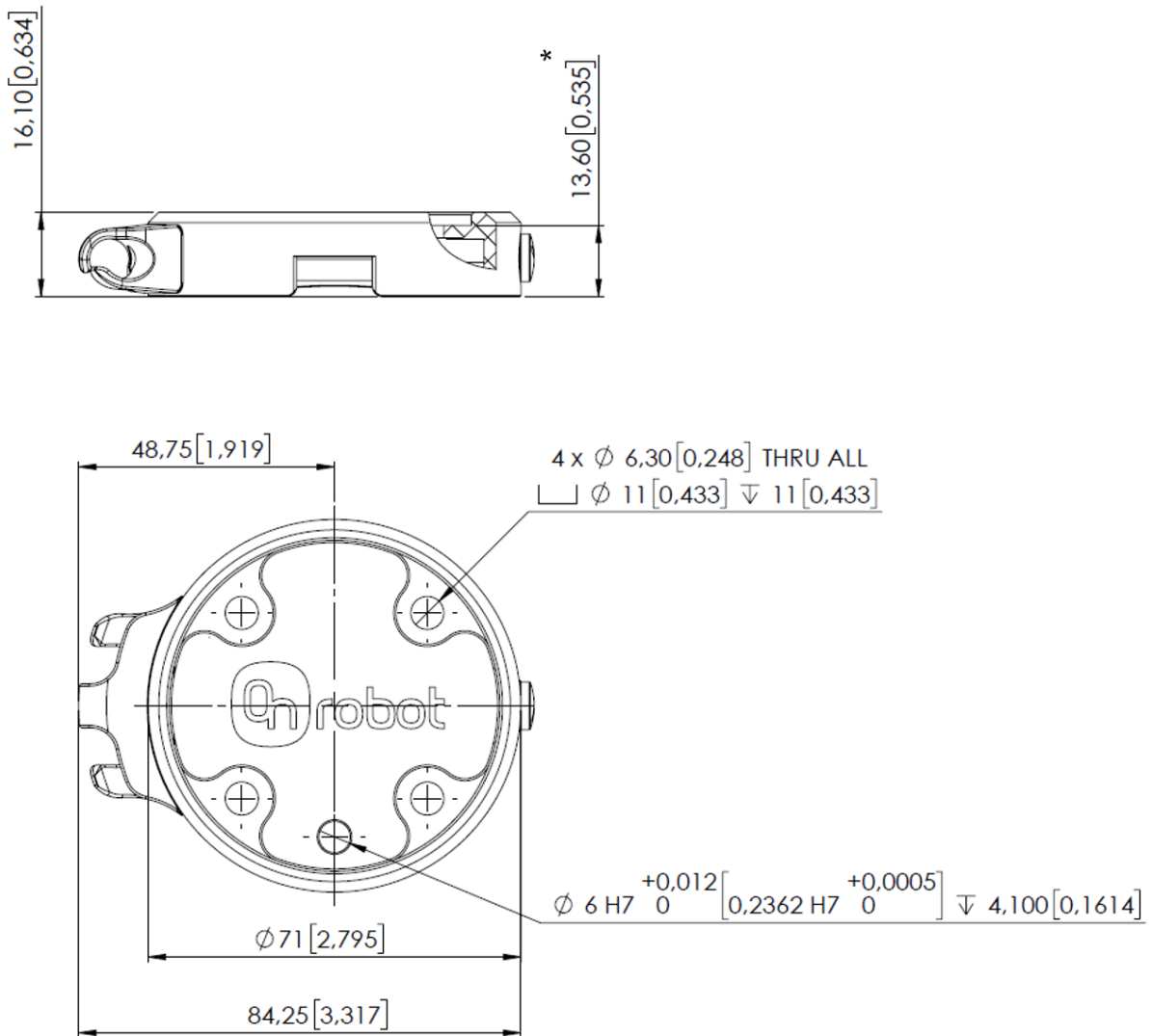
	Quick Changer	Quick Changer for I/O	Dual Quick Changer	Quick Changer - Tool Side	Units
Weight	0.06	0.093	0.41	0.14	[kg]
	0.13	0.21	0.9	0.31	[lb]
Dimensions	See Mechanical dimension section				

QC-R V3 | DQC V3 and the QC-R V2 | QC-R V2-4.5A | DQC V2 | DQC V2-4.5A

The following graph shows the load capacity that the QC-R V3 | DQC V3 and the QC-R V2 | QC-R V2-4.5A | DQC V2 | DQC V2-4.5A can handle in a static situation. The values for a situation with an acceleration of 2g are half of the static values.



1.2. Quick Changer - Robot Side



* Distance from Robot flange interface to OnRobot tool.

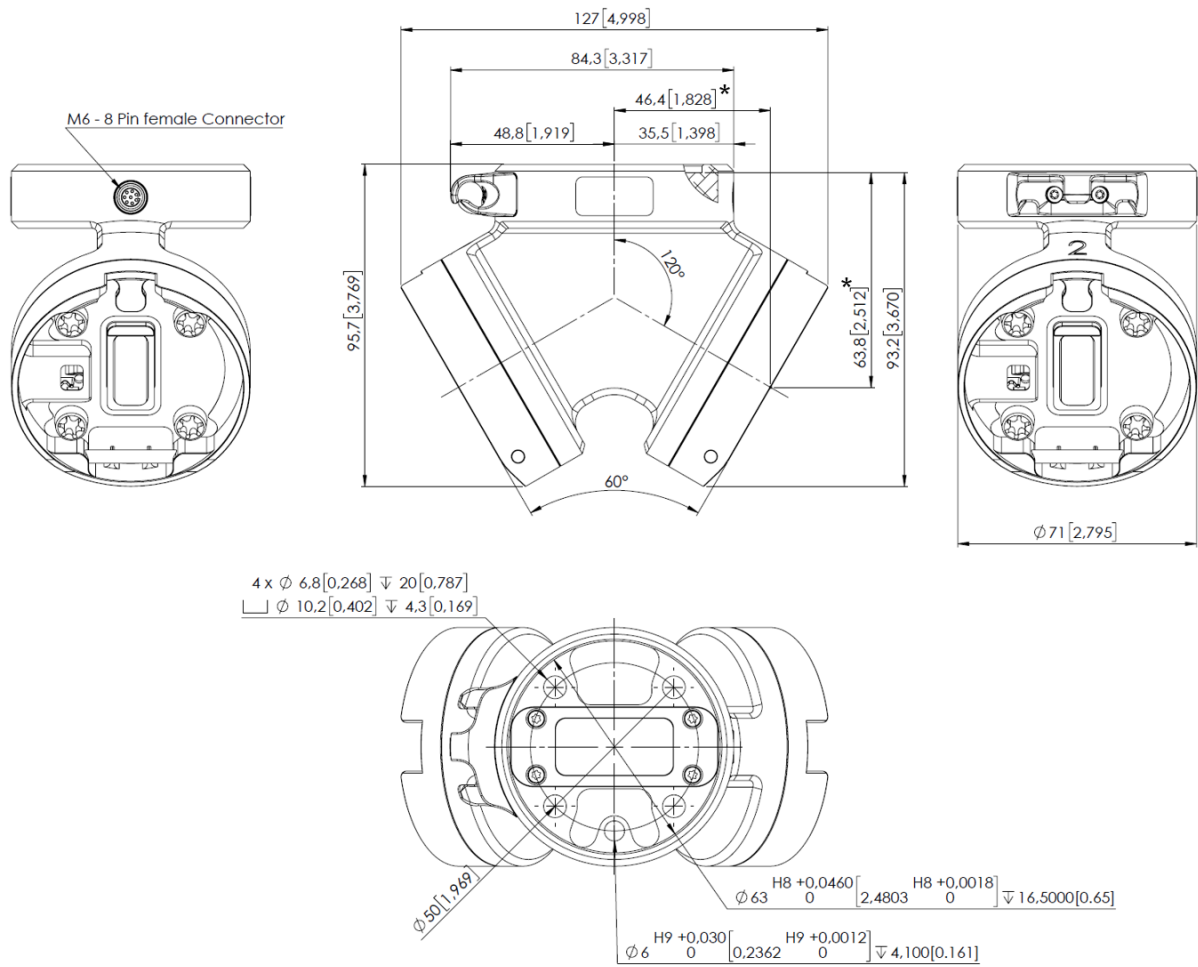
All dimensions are in mm and [inches].



NOTE:

The cable holder (on the left side) is only required with the long (5 meter) cable.

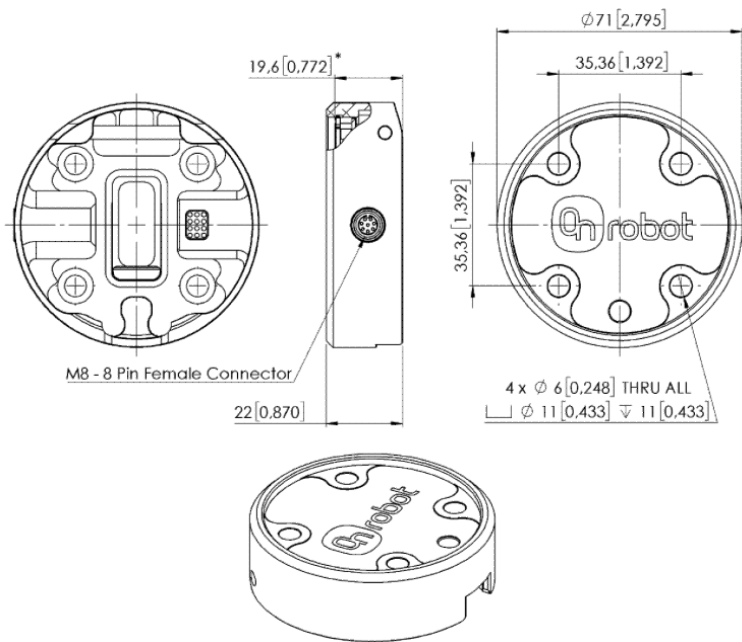
1.3. Dual Quick Changer



* Distance from Robot flange interface to OnRobot tool

All dimensions are in mm and [inches].

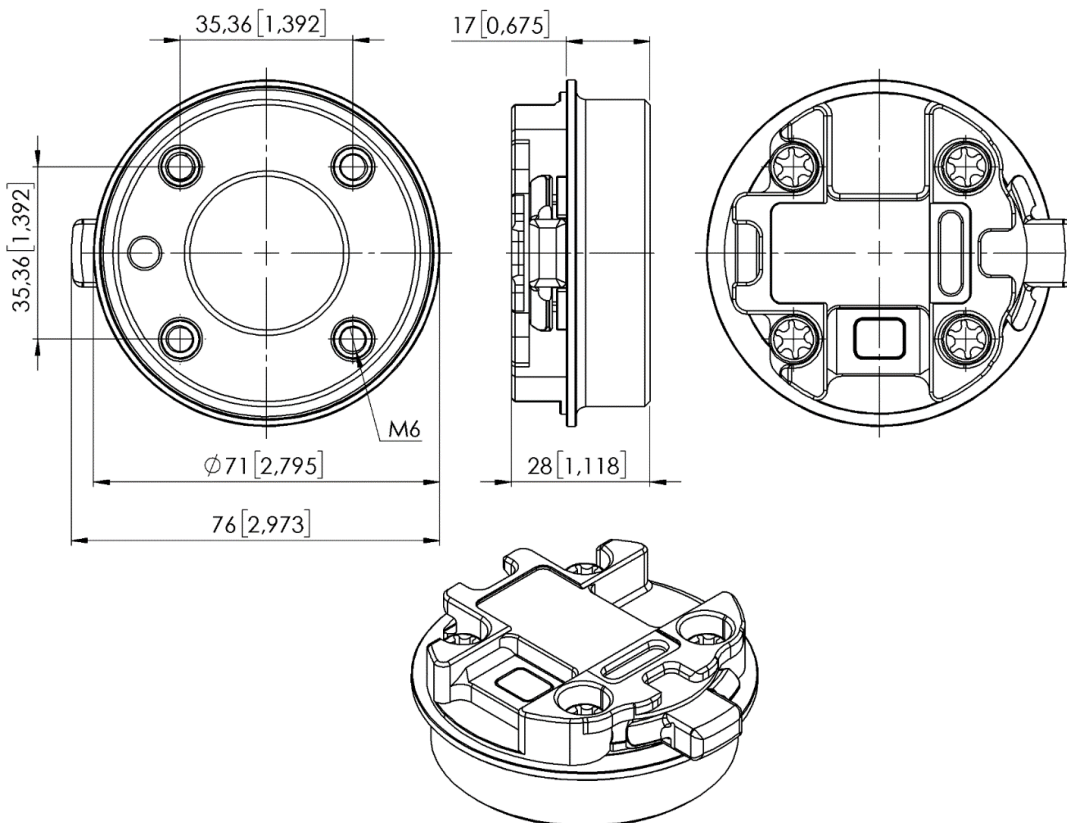
1.4. Quick Changer for I/O - Robot Side



* Distance from Robot flange interface to OnRobot tool

All dimensions are in mm and [inches].

1.5. Quick Changer - Tool Side



All dimensions are in mm and [inches].



**SCATTERGOOD
& JOHNSON LTD**
ELECTRICAL ENGINEERING & FLUID CONTROL DISTRIBUTORS

Est.1899

At Scattergood & Johnson Ltd, we pride ourselves on being a technical distributor to specialist industries.

Working with a range of quality product manufacturers across a number of specialist markets, we are not your average 'box shifter' - we are your technical and supply chain partner.

We fully support every product we sell - for free! Our internal team and external sales engineers can answer any product or application question, no matter the complexity.

Backing up this technical ability is a range of 50,000+ products available from stock for nationwide next day delivery (same day if required!), or you can collect what you need from any of our trade counters around the UK.

Select your specialist interest below to learn more about how we can help.



Online, In Branch and On the Road - Scattergood & Johnson Ltd, there when you need us.

www.scatts.co.uk