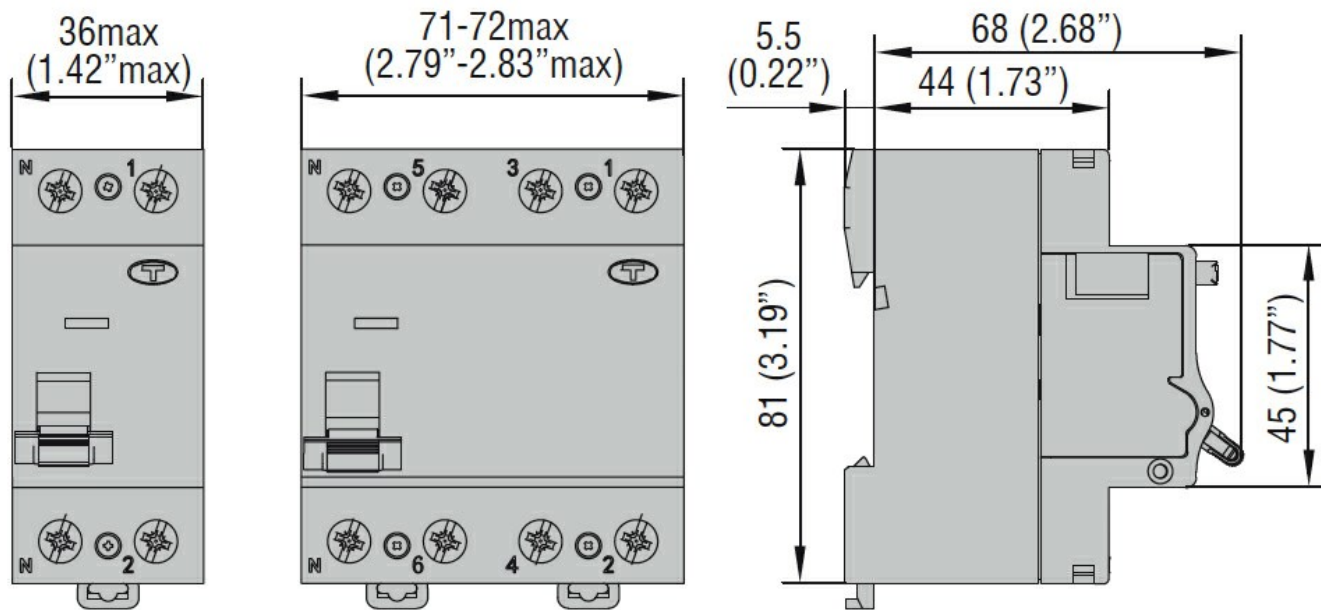




| | | | | |
|---|--|-------|-----------------|-----|
| Product designation | Residual current circuit breakers (RCCB) | | | |
| Product type designation | P1RD | | | |
| Number of poles | 2P | | | |
| Number of DIN modules | 2 | | | |
| Compliance | IEC | | | |
| Electrical features | | | | |
| Rated insulation voltage U_i IEC/EN | V | 400 | | |
| Rated impulse withstand voltage U_{imp} | kV | 4 | | |
| Rated operational voltage AC (IEC) | VAC | 230 | | |
| Rated frequency | Hz | 50/60 | | |
| Rated current (I_n) | A | 63 | | |
| Residual operation characteristic | | A | | |
| Rated residual current | mA | 30 | | |
| Short circuit rating (IEC) | kA | 10 | | |
| Electrical life | cycles | 10000 | | |
| Ambient conditions | | | | |
| Operating temperature | min | °C | -25 | |
| | max | °C | +60 | |
| Storage temperature | min | °C | -40 | |
| | max | °C | +80 | |
| Max altitude | m | 2000 | | |
| Mechanical features | | | | |
| Operating position | normal | | Vertical plan | |
| | | | 35mm DIN rail | |
| Fixing | 35mm DIN rail | | | |
| Tightening torque for terminals | max | Nm | 2 | |
| | max | lbin | 15 | |
| Terminals tool | Pz 2 | | | |
| Conductor section | IEC | min | mm ² | 2.5 |
| | | max | mm ² | 35 |
| | AWG/Kcmil | min | 14 | |
| | | max | 2 | |
| Mechanical life | cycles | 20000 | | |
| Weight | g | 185 | | |
| Frontal IP degree | IP20 | | | |
| Pollution degree | 2 | | | |
| Dimensions | | | | |



Certifications and compliance

Compliance

IEC/EN/BS 61008-1

Certifications

EAC

TÜV-SUD

ETIM classification

ETIM 8.0

EC000003 -
Residual current
circuit breaker
(RCCB)



**SCATTERGOOD
& JOHNSON LTD**
ELECTRICAL ENGINEERING & FLUID CONTROL DISTRIBUTORS

Est.1899

At Scattergood & Johnson Ltd, we pride ourselves on being a technical distributor to specialist industries.

Working with a range of quality product manufacturers across a number of specialist markets, we are not your average 'box shifter' - we are your technical and supply chain partner.

We fully support every product we sell - for free! Our internal team and external sales engineers can answer any product or application question, no matter the complexity.

Backing up this technical ability is a range of 50,000+ products available from stock for nationwide next day delivery (same day if required!), or you can collect what you need from any of our trade counters around the UK.

Select your specialist interest below to learn more about how we can help.



Online, In Branch and On the Road - Scattergood & Johnson Ltd, there when you need us.

www.scatts.co.uk