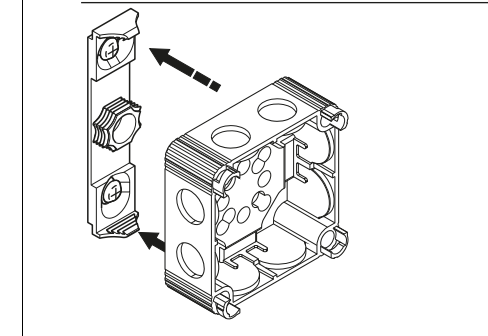
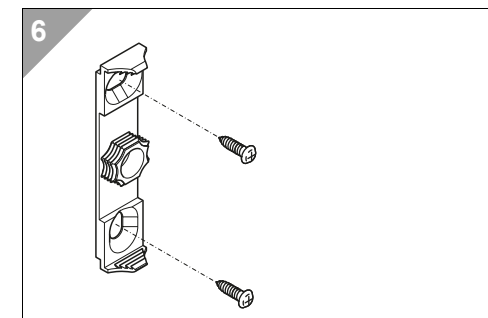
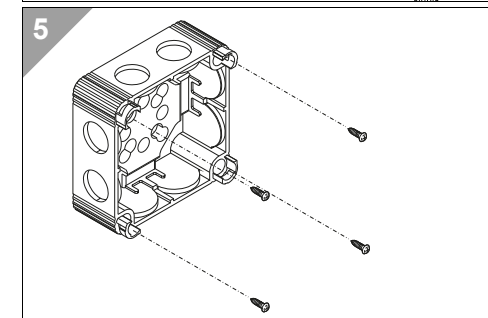
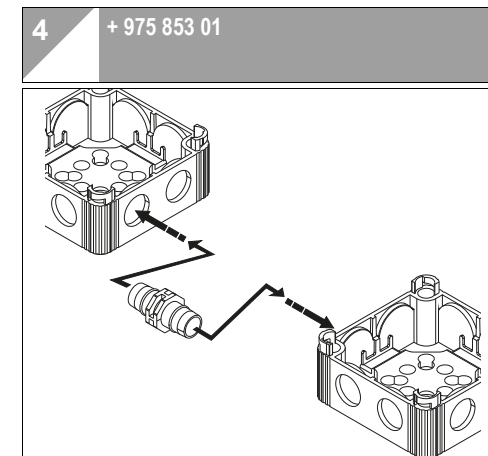
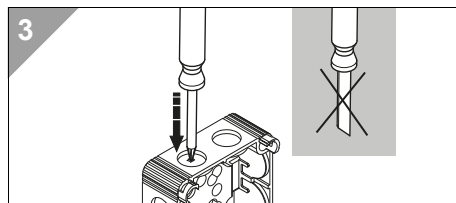
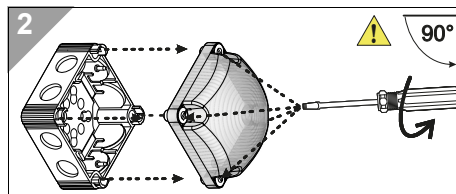
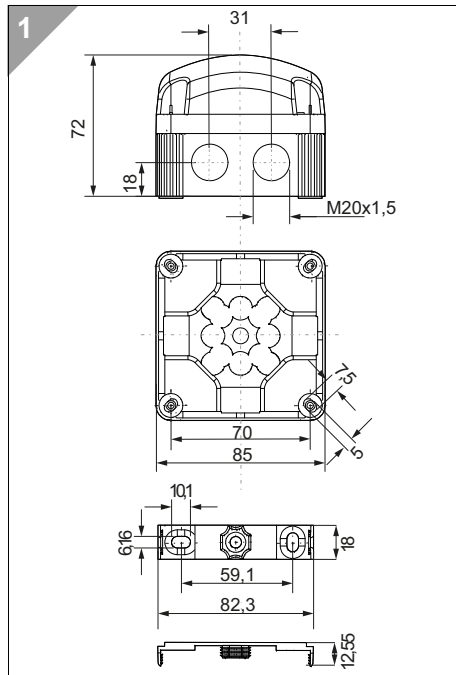
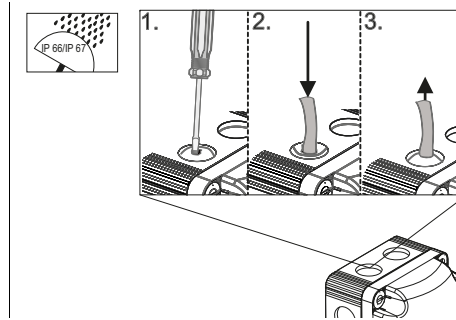

DANGER

DE Anschluss **ausschließlich** durch ausgebildete Elektro-Fachkräfte.
 GB Electrical connection is to be made by trained electrical specialists **only**.
 FR Le branchement doit **uniquement** être effectué par des professionnels.
 IT Il collegamento deve essere eseguito **solo** da elettricisti specializzati.
 ES La conexión **sólo** debe ser realizada por electricistas debidamente formados.
 PT A ligação deve ser feita **exclusivamente** por profissional elétrico especializado.
 NL De aansluiting mag **enkel** gebeuren door erkende vakmensen.
 CZ Připojení smí **provádět** pouze kvalifikovaný personál.
 PL Podłączenie **wyłącznie** przez specjalistów-elektryków.
 FI Liittäminen kuuluu **ainoastaan** koulutettujen sähköalan ammattilaisten tehtäviin.
 RU Подключение проводов только специалистом-электриком.
 TR Bağlantı **sadece** eğitimli elektrik teknisyenleri tarafından yapılmalıdır.
 CN 布线需由专业电工执行


**DANGER
EVS**

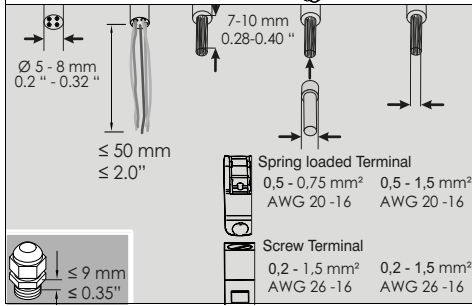
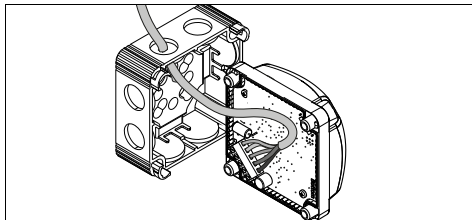
853 x20 xx

- DE Bei Epilepsie ungeeignet!
 GB Unsuitable for epilepsy sufferers.
 FR Ne convient pas aux personnes souffrant d'épilepsie.
 IT Inadatto per epilettici.
 ES Inadecuado para epilépticos.
 PT Não aconselavel a pessoas que sofrem de Epilepsia.
 NL Niet geschikt voor epileptici.
 CZ Nevhodné pro epileptiky.
 PL Nie stosować przy zchorzeniu padaczkci.
 FI Ei soveltu epileptikoille.
 RU Не подходит для страдающих эпилепсией.
 TR Epilepsi hastalığı olanların kullanmaması önerilir.
 CN 不适用于癫痫病患者

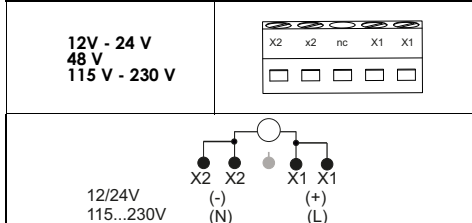


7a LED 853

⚠ DANGER



LED (853 x20 xx)



Leuchtbild, Light effect, Effet lumineux

Dauerleuchte/Permanent/Feu fixe

853 x00 54	12 VDC, ≤ 180 mA, I ₀ < 1250 mA
853 x00 55	24 VDC, ≤ 80 mA, I ₀ < 500 mA
853 x00 66	48 VAC, ≤ 35 mA, I ₀ < 200 mA
853 x00 60	115-230VAC, ≤ 40 mA, I ₀ < 7 A

Doppelblitz/Double Flash/Double Flash

853 x10 54	12 VDC, ≤ 100 mA, I ₀ < 1250 mA
853 x10 55	24 VDC, ≤ 80 mA, I ₀ < 500 mA
853 x10 66	48 VAC, ≤ 90 mA, I ₀ < 2 A
853 x10 60	115-230 VAC, ≤ 180 mA, I ₀ < 7 A

EVS

853 x20 54	12 VDC, ≤ 400 mA, I ₀ < 1250 mA
853 x20 55	24 VDC, ≤ 200 mA, I ₀ < 500 mA
853 x20 66	48 VAC, ≤ 95 mA, I ₀ < 2 A
853 x20 60	115-230 VAC, ≤ 180 mA, I ₀ < 7 A

LED-Multicolour (853 480 55)

24V

Colour	Technical Data
RD	80mA/ ~1,9 W
GN	70 mA/ ~1,7W
YE	115mA/ ~ 2,7 W
WH	130mA/ ~ 3,4W
BU	70mA/ ~ 1,7 W
VIO	125mA/ ~ 3W
CYN	120mA/ ~ 2,9W

LED-RGY (853 480 60)

230V

Colour	115 V		230 V
	50 Hz	60 Hz	50 Hz
RD	14mA/ 0,55W	17mA/ 0,55W	22mA/ 1,15W
YE	20mA/ 0,94W	24mA/ 0,94	35mA/ 2W
GN	14mA/ 0,65W	17mA/ 0,65W	23mA/ 1,4W

7b Sounder 153

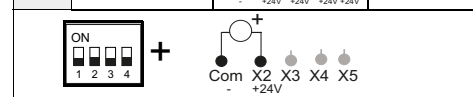
⚠ WARNING

Sounder 153 000 54
153 000 55

12V
24V

153 000 54	12VDC, ≤ 70 mA, I ₀ < 500 mA
153 000 55	24VDC, ≤ 120 mA, I ₀ < 500 mA

Tone	Tone Type	Frequencies
1	Dauerton Continuous continu	~ 3000 Hz
5	ansteigend rising montant	~ 800- 970Hz @ 1Hz
6	ansteigend rising montant	~2400-2850 Hz @ 7 Hz
7	abfallend falling incline	1200-500 Hz @ 1 Hz
Tone -10 dB	Volume max. = off Volume - 10 dB = on	



Tone	Code	Tone Type	Frequencies
1	000x	Dauerton Continuous continu	~ 3000 Hz
2	001x	Hupenton horn tone trompe	~ 110 Hz
3	010x	1Hz Ton 1Hz tone 1Hz ton	~ 3000 Hz
4	011x	20 Hz Trillerton 20 Hz whistle tone 20 Hz trille	~ 3000 Hz
5	100x	ansteigend rising montant	~ 800- 970Hz @ 2Hz
6	101x	ansteigend rising montant	~2400-2850 Hz @ 7 Hz
7	110x	abfallend falling incline	1200-500 Hz @ 0,7 Hz
8	111x	alternierend alternatig alternant	800/1200 Hz @ 1 Hz
Tone -10 dB	xxx1	Volume max. = off Volume - 10 dB = on	

Sounder 153 000 60
153 000 66

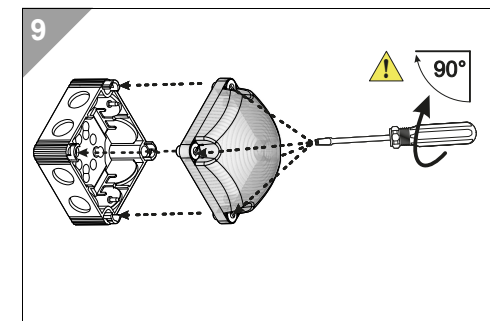
48V
115...230V

153 000 60	115-230VAC, ≤ 150mA, I ₀ < 7A
153 000 66	48VAC, ≤ 150 mA, I ₀ < 2A

Tone	Tone Type	Frequencies
1	Dauerton Continuous continu	~ 3000 Hz
Tone -10 dB	Volume max. = off Volume - 10 dB = on	

NOTICE

8 853 x10 60, 853 x10 66
853 x20 60, 853 x20 66
153 000 60, 153 000 66



931085300101_AL
310.853.001





**SCATTERGOOD
& JOHNSON LTD**
ELECTRICAL ENGINEERING & FLUID CONTROL DISTRIBUTORS

Est.1899

At Scattergood & Johnson Ltd, we pride ourselves on being a technical distributor to specialist industries.

Working with a range of quality product manufacturers across a number of specialist markets, we are not your average 'box shifter' - we are your technical and supply chain partner.

We fully support every product we sell - for free! Our internal team and external sales engineers can answer any product or application question, no matter the complexity.

Backing up this technical ability is a range of 50,000+ products available from stock for nationwide next day delivery (same day if required!), or you can collect what you need from any of our trade counters around the UK.

Select your specialist interest below to learn more about how we can help.



Online, In Branch and On the Road - Scattergood & Johnson Ltd, there when you need us.

www.scatts.co.uk