



**CEMBRE**



211167

**CRIMPING TOOL FOR END SLEEVES**  
**OUTIL Á SERTIR POUR EMBOUTS DE CÂBLE**  
**CRIMPWERKZEUG FÜR ADERENDHÜLSEN**  
**HERRAMIENTA PARA COMPRESIÓN DE PUNTERAS HUECAS**  
**UTENSILE PER LA COMPRESIONE DI TUBETTI TERMINALI**

ZKE610N ZKE616N



**ELECTRIC RISK:** do not use this tool on live cables.  
**RISQUE ELECTRIQUE:** ne pas utiliser l'outil sur des conducteurs sous tension.

**ELEKTRISCHE GEFAHR:** das Werkzeug ist nicht zum Arbeiten unter Spannung geeignet.

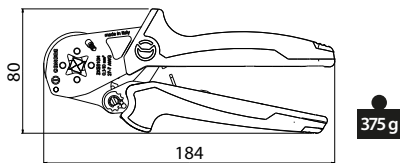
**RIESGO ELÉCTRICO:** no utilizar la herramienta sobre conductores en tensión.

**RISCHIO ELETTRICO:** non utilizzare l'utensile su conduttori in tensione.

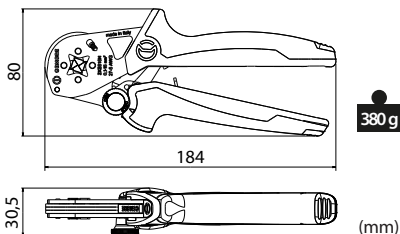
	PKC PKE PKD KE	PKT
ZKE610N	0.1 - 10 mm <sup>2</sup> 27 - 7 AWG	0.1 - 4 mm <sup>2</sup> 27 - 12 AWG
ZKE616N	0.1 - 16 mm <sup>2</sup> 27 - 5 AWG	0.1 - 6 mm <sup>2</sup> 27 - 10 AWG

**NOTE: When used on the Cembre end sleeves listed below, ZKE610N or ZKE616N tools provide a cUL and UL listed crimp.**  
 End sleeves families that are UL listed: PKE, PKC, PKD, PKT.

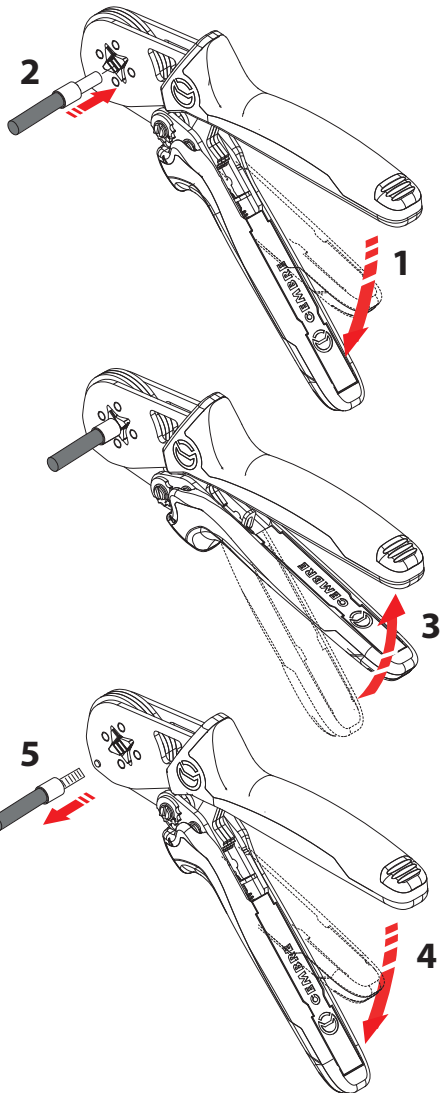
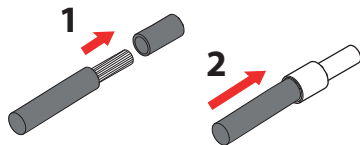
ZKE610N

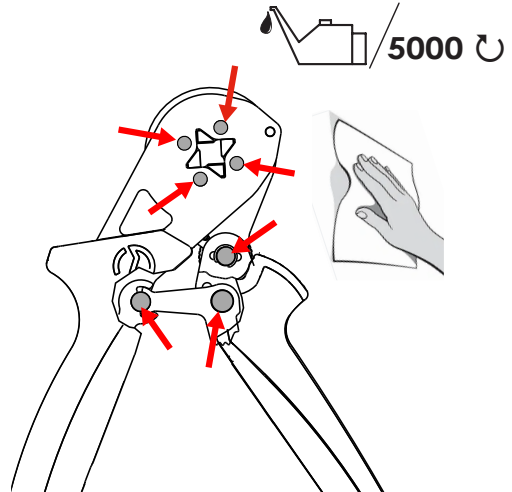
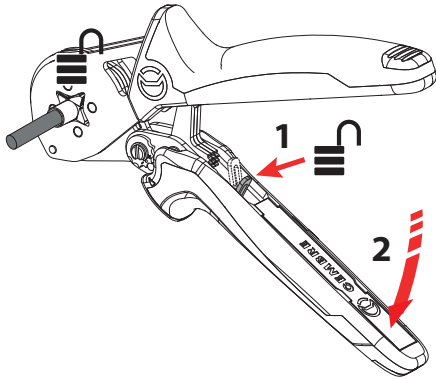
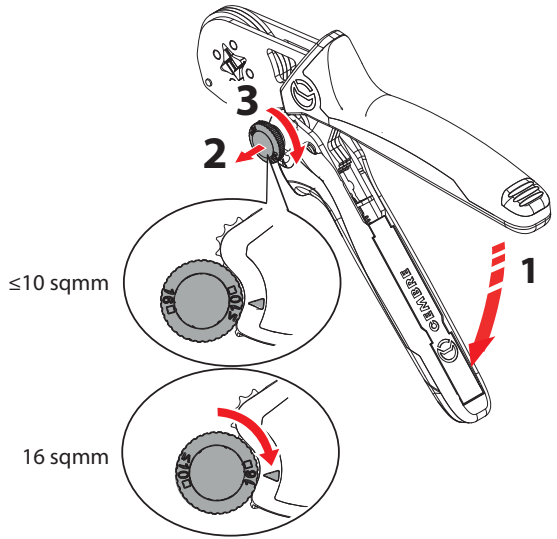
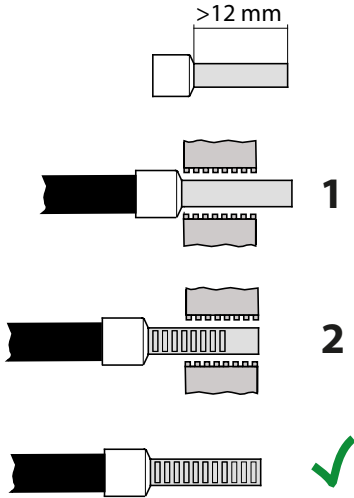


ZKE616N



(mm)





www.cembre.com



**CEMBRE SpA**  
Via Serenissima, 9  
25135 Brescia (Italia)  
Tel. +39 030 36921  
Fax +39 030 3365766  
sales@cembre.com  
www.cembre.com

**CEMBRE Ltd**  
Dunton Park  
Kingsbury Road, Curdworth - Sutton Coldfield  
West Midlands B76 9EB (UK)  
Ph. +44 01675 470440 - Fax +44 01675 470220  
sales@cembre.co.uk  
www.cembre.co.uk

**CEMBRE Sarl**  
22 Avenue Ferdinand de Lesseps  
91420 Morangis (France)  
Tél. +33 1 60 49 11 90 - Fax +33 1 60 49 29 10  
CS 92014 - 91423 Morangis Cédex  
info@cembre.fr  
www.cembre.fr

**CEMBRE España SLU**  
Calle Verano 6 y 8 - P.I. Las Monjas  
28850 Torrejón de Ardoz  
Madrid (España)  
Tel. +34 91 4852580 - Fax +34 91 4852581  
comercial@cembre.es  
www.cembre.es

**CEMBRE Inc**  
Raritan Center Business Park  
300 Columbus Circle - Suite F  
Edison, New Jersey 08837 (USA)  
Tel. +1 732 225-7415 - Fax +1 732 225-7414  
sales.us@cembre.com  
www.cembreinc.com

**CEMBRE GmbH**  
Geschäftsbereich  
Energie- und Bahntechnik  
Heidemannstraße 166  
80939 München (Deutschland)  
Tel. +49 89 3580676  
info@cembre.de  
www.cembre.de

Geschäftsbereich  
Industrie Handel  
Boschstraße 7  
71384 Weinstadt (Deutschland)  
Tel. +49 7151 20536-60  
info-w@cembre.de  
www.cembre.de



# SCATTERGOOD & JOHNSON LTD

ELECTRICAL ENGINEERING & FLUID CONTROL DISTRIBUTORS

Est.1899

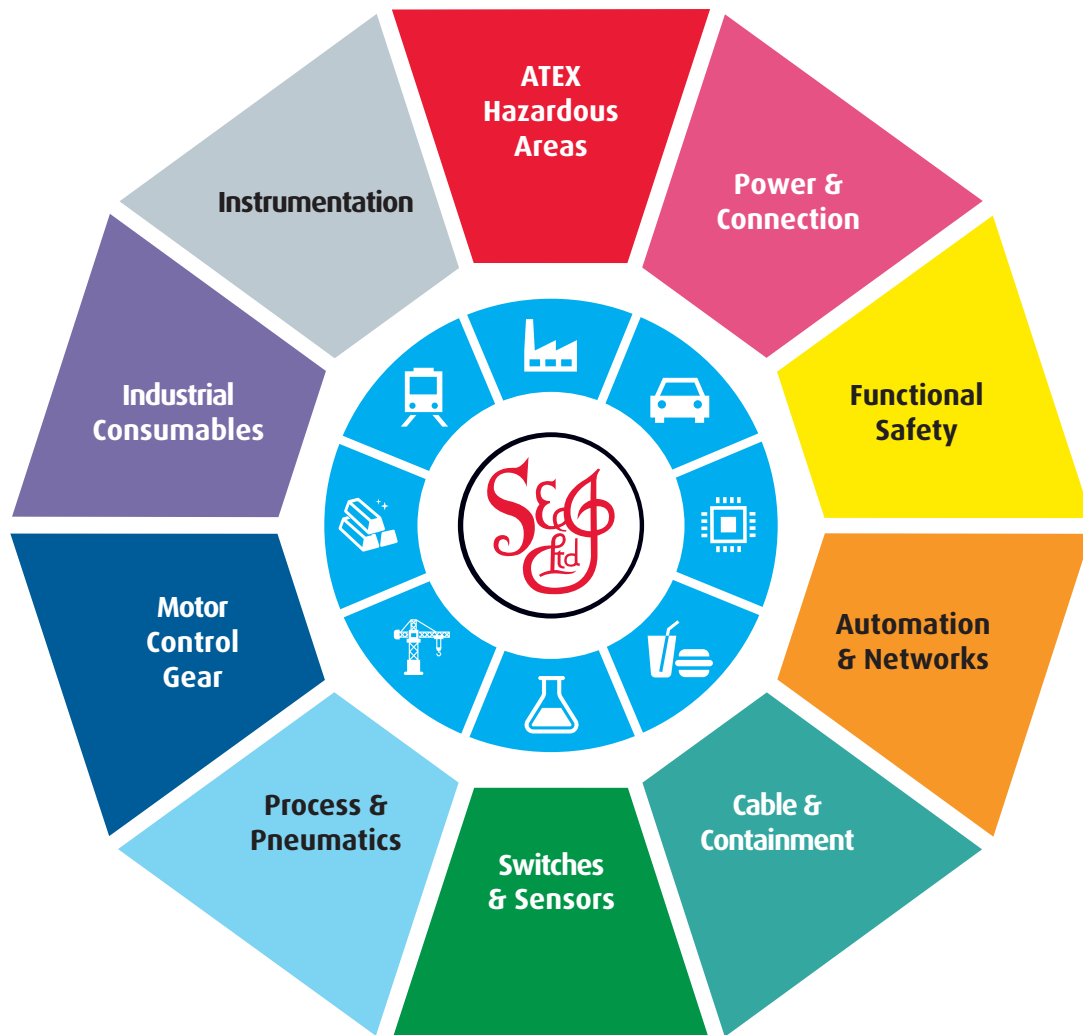
At Scattergood & Johnson Ltd, we pride ourselves on being a technical distributor to specialist industries.

Working with a range of quality product manufacturers across a number of specialist markets, we are not your average 'box shifter' - we are your technical and supply chain partner.

We fully support every product we sell - for free! Our internal team and external sales engineers can answer any product or application question, no matter the complexity.

Backing up this technical ability is a range of 50,000+ products available from stock for nationwide next day delivery (same day if required!), or you can collect what you need from any of our trade counters around the UK.

Select your specialist interest below to learn more about how we can help.



Online, In Branch and On the Road - Scattergood & Johnson Ltd, there when you need us.

# [www.scatts.co.uk](http://www.scatts.co.uk)