



CEMBRE



211167

CRIMPING TOOL FOR END SLEEVES
OUTIL Á SERTIR POUR EMBOUTS DE CÂBLE
CRIMPWERKZEUG FÜR ADERENDHÜLSEN
HERRAMIENTA PARA COMPRESIÓN DE PUNTERAS HUECAS
TENSILE PER LA COMPRESIONE DI TUBETTI TERMINALI

ZKE610N ZKE616N



ELECTRIC RISK: do not use this tool on live cables.
RISQUE ELECTRIQUE: ne pas utiliser l'outil sur des conducteurs sous tension.

ELEKTRISCHE GEFAHR: das Werkzeug ist nicht zum Arbeiten unter Spannung geeignet.

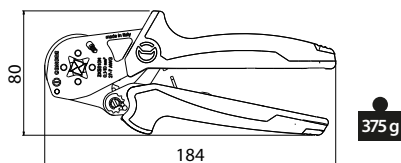
RIESGO ELÉCTRICO: no utilizar la herramienta sobre conductores en tensión.

RISCHIO ELETTRICO: non utilizzare l'utensile su conduttori in tensione.

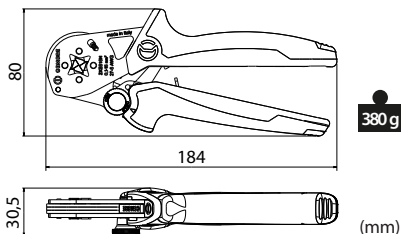
	PKC PKE PKD KE	PKT
ZKE610N	0.1 - 10 mm ² 27 - 7 AWG	0.1 - 4 mm ² 27 - 12 AWG
ZKE616N	0.1 - 16 mm ² 27 - 5 AWG	0.1 - 6 mm ² 27 - 10 AWG

NOTE: When used on the Cembre end sleeves listed below, ZKE610N or ZKE616N tools provide a cUL and UL listed crimp.
 End sleeves families that are UL listed: PKE, PKC, PKD, PKT.

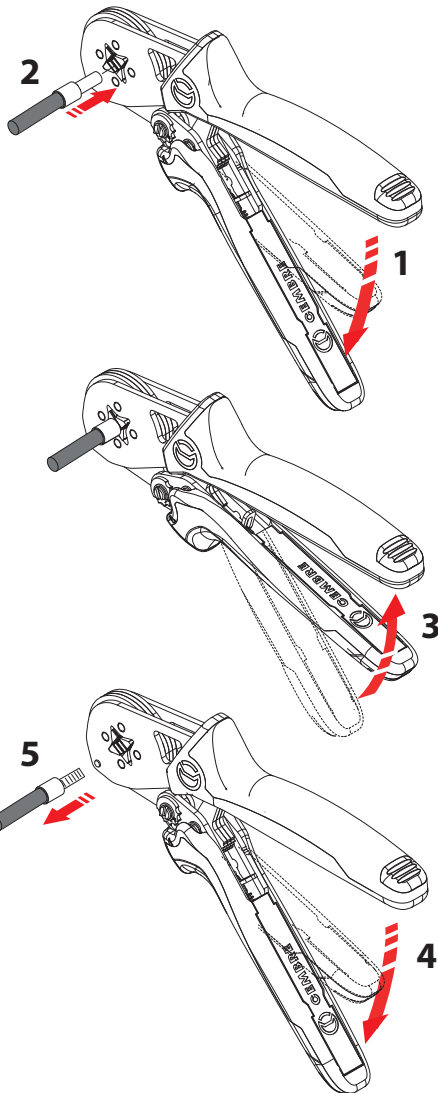
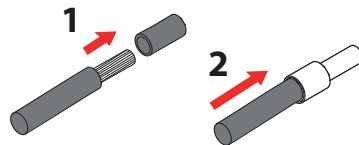
ZKE610N

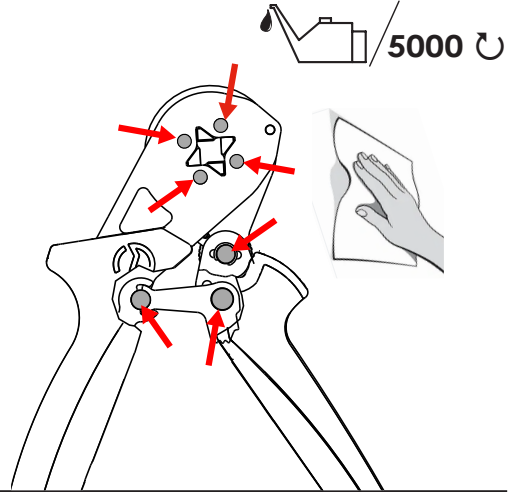
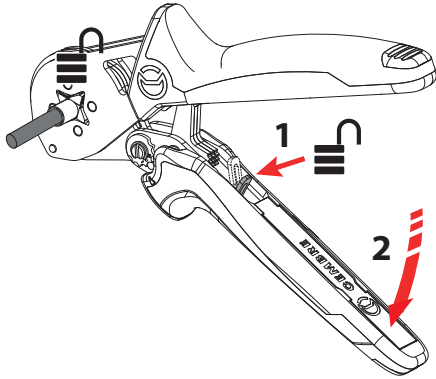
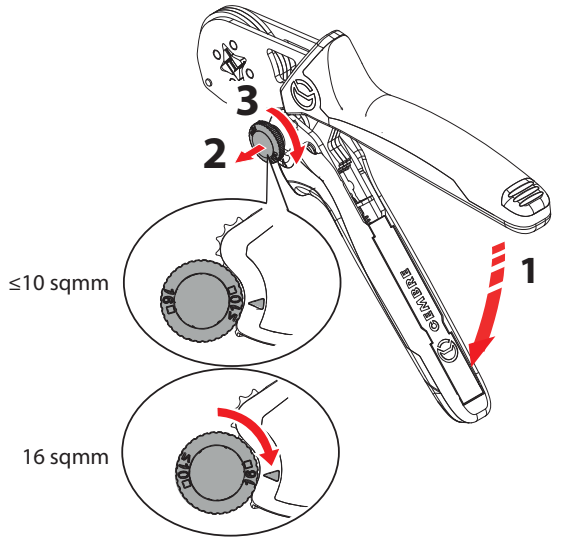
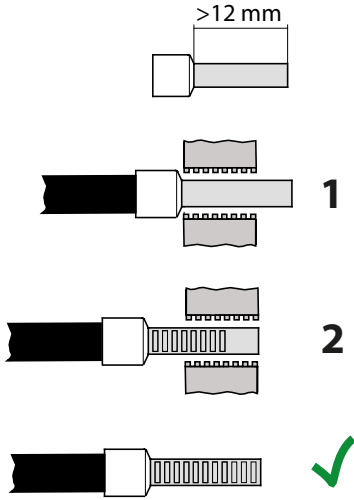


ZKE616N



(mm)





www.cembre.com



CEMBRE SpA
Via Serenissima, 9
25135 Brescia (Italia)
Tel. +39 030 36921
Fax +39 030 3365766
sales@cembre.com
www.cembre.com

CEMBRE Ltd
Dunton Park
Kingsbury Road, Curdworth - Sutton Coldfield
West Midlands B76 9EB (UK)
Ph. +44 01675 470440 - Fax +44 01675 470220
sales@cembre.co.uk
www.cembre.co.uk

CEMBRE Sarl
22 Avenue Ferdinand de Lesseps
91420 Morangis (France)
Tél. +33 1 60 49 11 90 - Fax +33 1 60 49 29 10
CS 92014 - 91423 Morangis Cédex
info@cembre.fr
www.cembre.fr

CEMBRE España SLU
Calle Verano 6 y 8 - P.I. Las Monjas
28850 Torrejón de Ardoz
Madrid (España)
Tel. +34 91 4852580 - Fax +34 91 4852581
comercial@cembre.es
www.cembre.es

CEMBRE Inc
Raritan Center Business Park
300 Columbus Circle - Suite F
Edison, New Jersey 08837 (USA)
Tel. +1 732 225-7415 - Fax +1 732 225-7414
sales.us@cembre.com
www.cembreinc.com

CEMBRE GmbH
Geschäftsbereich
Energie- und Bahntechnik
Heidemannstraße 166
80939 München (Deutschland)
Tel. +49 89 3580676
info@cembre.de
www.cembre.de

Geschäftsbereich
Industrie Handel
Boschstraße 7
71384 Weinstadt (Deutschland)
Tel. +49 7151 20536-60
info-w@cembre.de
www.cembre.de



**SCATTERGOOD
& JOHNSON LTD**
ELECTRICAL ENGINEERING & FLUID CONTROL DISTRIBUTORS

Est.1899

At Scattergood & Johnson Ltd, we pride ourselves on being a technical distributor to specialist industries.

Working with a range of quality product manufacturers across a number of specialist markets, we are not your average 'box shifter' - we are your technical and supply chain partner.

We fully support every product we sell - for free! Our internal team and external sales engineers can answer any product or application question, no matter the complexity.

Backing up this technical ability is a range of 50,000+ products available from stock for nationwide next day delivery (same day if required!), or you can collect what you need from any of our trade counters around the UK.

Select your specialist interest below to learn more about how we can help.



Online, In Branch and On the Road - Scattergood & Johnson Ltd, there when you need us.

www.scatts.co.uk