

PP-RJ-RJ-F - Patch panels

2703020

<https://www.phoenixcontact.com/gb/products/2703020>

Please be informed that the data shown in this PDF document is generated from our online catalog. Please find the complete data in the user documentation. Our general terms of use for downloads are valid.



Patch panel, two RJ45 jacks, 10/100/1000 MBps, DIN rail adapter, IP20, shield current monitoring, surge protection

Product description

Ethernet patch panels enable quick and easy connection between the field cabling and control cabinet cabling. The passive termination panels are a convenient alternative to the on-site assembly of RJ45 connectors.

Your advantages

- 10/100/1000 Mbps
- Extended temperature range of -40 °C ... +75 °C
- Integrated surge protection to ensure high system availability
- Shield current monitoring with visual display
- Shipbuilding approval in accordance with DNV GL
- PoE-capable in accordance with IEEE 802.3bt, type 4

PP-RJ-RJ-F - Patch panels



2703020

<https://www.phoenixcontact.com/gb/products/2703020>

Technical data

Notes

Utilization restriction

EMC note	EMC: class A product, see manufacturer's declaration in the download area
----------	---

Utilization restriction

CCCex note	Use in potentially explosive areas is not permitted in China.
------------	---

Product properties

IEC test classification	C2
Product type	Patch panel
MTTF	3281 Years (SN 29500 standard, temperature 25°C, operating cycle 21%)
	1245 Years (SN 29500 standard, temperature 40°C, operating cycle 34.25%)
	472 Years (SN 29500 standard, temperature 40°C, operating cycle 100%)

Insulation characteristics

Overvoltage category	II
Pollution degree	2

Electrical properties

Electrical isolation	FE // Ethernet
Maximum power dissipation for nominal condition	0 W
Rated insulation voltage	85 V DC

Supply

Supply voltage range	36 V DC ... 52 V DC ± 10 % (via PoE (for shield current monitoring))
	42 V DC ... 57 V DC (in acc. with UL)

Function

Designation	Shield current monitoring
Switch-on threshold	≥ 30 mA
Local diagnostics	Yellow LED
Precision	± 5 %
Response time	3 s
Current	≤ 1.5 A
Power consumption	270 mW (Shield current monitoring)
Impedance	≤ 1 Ω
Voltage	≤ 10 V

Interfaces

PP-RJ-RJ-F - Patch panels



2703020

<https://www.phoenixcontact.com/gb/products/2703020>

Data: Ethernet interface, 10/100/1000Base-T(X) in accordance with IEEE 802.3

Serial transmission speed	10/100/1000 Mbps
Frequency range	125 MHz
Connection method	RJ45 jack
Pin assignment	1:1
Transmission length	100 m (including patch cables)
Transmission medium	Copper
Maximum output power	60 W
Maximum output current	725 mA (PoE)
Current carrying capacity	≤ 1.5 A (≤ 60 W (PoE+))

Data: Ethernet interface, 10/100/1000Base-T(X) in accordance with IEEE 802.3

Connection method	RJ45 jack
-------------------	-----------

Signaling

Optical representation	Yellow LED
------------------------	------------

Dimensions

Dimensional drawing	
Width	23.8 mm
Height	101.3 mm
Depth	86 mm

Material specifications

Material	Plastic
Flammability rating according to UL 94	V0

Environmental and real-life conditions

Ambient conditions

Degree of protection	IP20 (Manufacturer's declaration)
Ambient temperature (operation)	-40 °C ... 75 °C
Ambient temperature (storage/transport)	-40 °C ... 85 °C
Altitude	≤ 5000 m (For restrictions, see the manufacturer's declaration for altitude operation)
	≤ 2000 m (Restrictions for ATEX applications)
Permissible humidity (operation)	10 % ... 95 % (non-condensing)

Approvals

PP-RJ-RJ-F - Patch panels



2703020

<https://www.phoenixcontact.com/gb/products/2703020>

CE

Certificate	CE-compliant
-------------	--------------

ATEX

Identification	⊕ II 3 G Ex nA nC IIC T4 Gc X
Note	Please follow the special installation instructions in the documentation!

UL, USA/Canada

Identification	Class I, Zone 2, AEx nA IIC T4, Ex nA IIC Gc X T4
	Class I, Div. 2, Groups A, B, C, D

UL, USA

Certificate	UL 60079-0 Ed. 6 / UL 60079-15 Ed. 4
-------------	--------------------------------------

UL, Canada

Certificate	CSA 22.2 No. 60079-0 Ed. 3 / CSA 22.2 No. 60079-15:16
-------------	---

Corrosive gas test

Identification	ISA-S71.04-1985 G3 Harsh Group A
----------------	----------------------------------

Shipbuilding

Identification	DNV GL
----------------	--------

DNV GL data

Temperature	D
Humidity	B
Vibration	B
EMC	B

EMC data

Electromagnetic compatibility	Conformance with EMC Directive 2014/30/EU
	FCC Part 15B Class A
	CISPR 22

Electrostatic discharge

Standards/regulations	EN 61000-4-2
-----------------------	--------------

Electrostatic discharge

Contact discharge	± 6 kV (Test Level 3)
Discharge in air	± 8 kV (Test Level 3)
Indirect discharge	± 6 kV
Comments	Criterion B

Electromagnetic HF field

Standards/regulations	EN 61000-4-3
-----------------------	--------------

Electromagnetic HF field

Frequency range	80 MHz ... 3 GHz (Test Level 3)
-----------------	---------------------------------

PP-RJ-RJ-F - Patch panels



2703020

<https://www.phoenixcontact.com/gb/products/2703020>

Field intensity	10 V/m
Comments	Criterion A

Fast transients (burst)

Standards/regulations	EN 61000-4-4
-----------------------	--------------

Fast transients (burst)

Input	± 2.2 kV (1 minute)
Signal	± 2.2 kV (1 minute)
Comments	Criterion B

Surge current load (surge)

Standards/regulations	EN 61000-4-5
-----------------------	--------------

Surge current load (surge)

Input	± 0.5 kV
Signal	± 1 kV (Data line, asymmetrical)

Conducted interference

Standards/regulations	EN 61000-4-6
-----------------------	--------------

Conducted interference

Frequency range	0.15 MHz ... 80 MHz
Comments	Criterion A
Voltage	10 V

Emitted interference

Standards/regulations	EN 61000-6-4
Comments	Class A, industrial applications

Emitted interference

Standards/regulations	EN 61000-6-3
Comments	Class B, domain of use: residential and small commercial

Criteria

Criterion A	Normal operating behavior within the specified limits.
Criterion B	Temporary impairment to operational behavior that is corrected by the device itself.

Standards and regulations

Standards/regulations	DIN EN 61643-21
-----------------------	-----------------

Mounting

Mounting type	DIN rail mounting, stationary
---------------	-------------------------------

PP-RJ-RJ-F - Patch panels

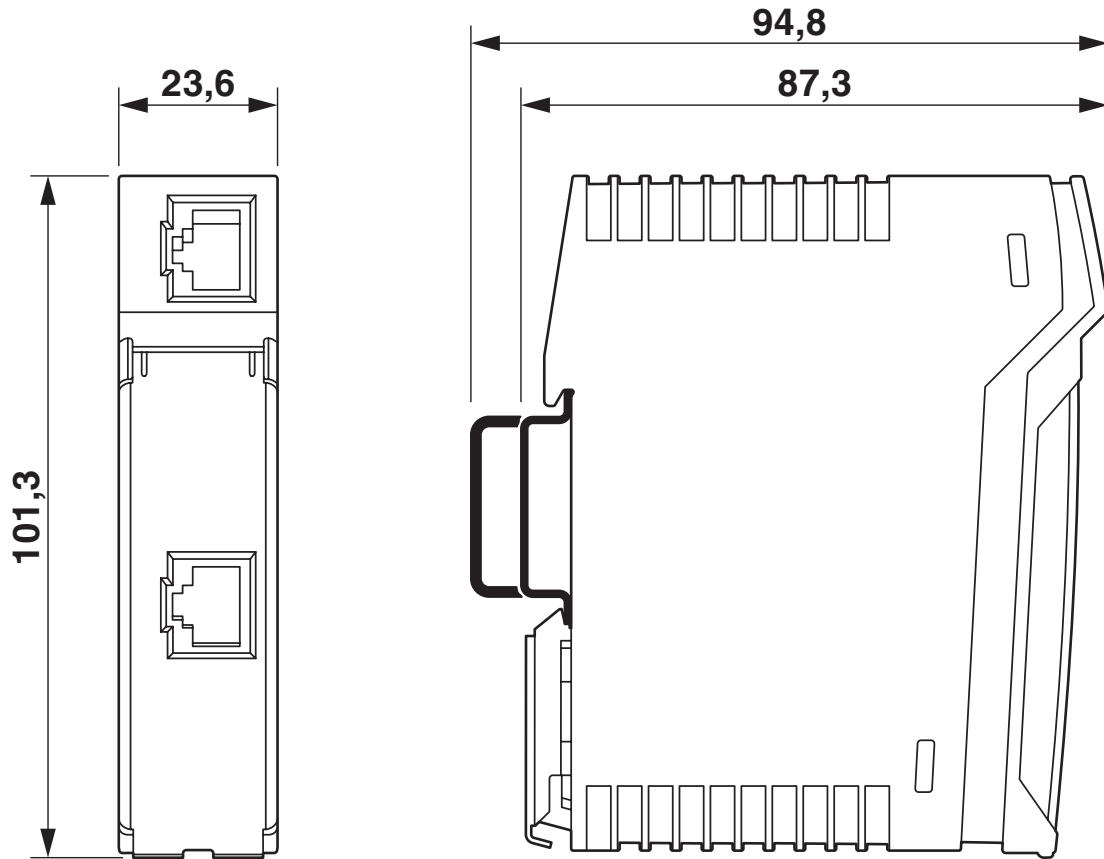


2703020

<https://www.phoenixcontact.com/gb/products/2703020>

Drawings

Dimensional drawing



Housing dimensions

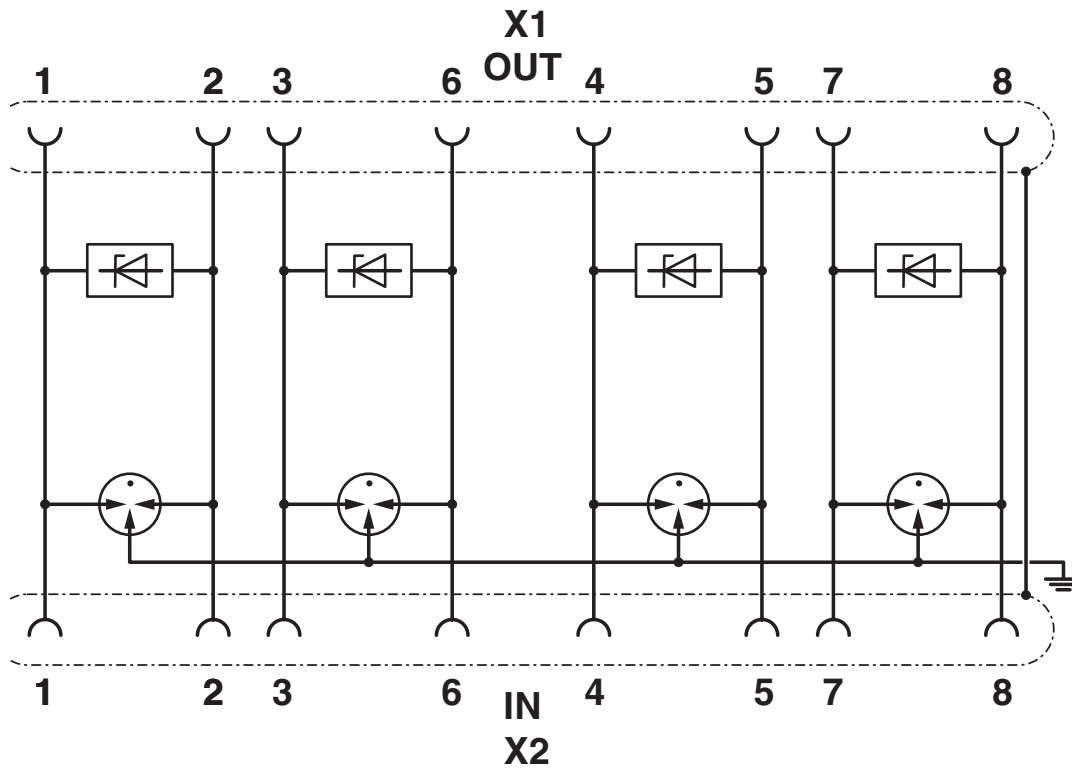
PP-RJ-RJ-F - Patch panels



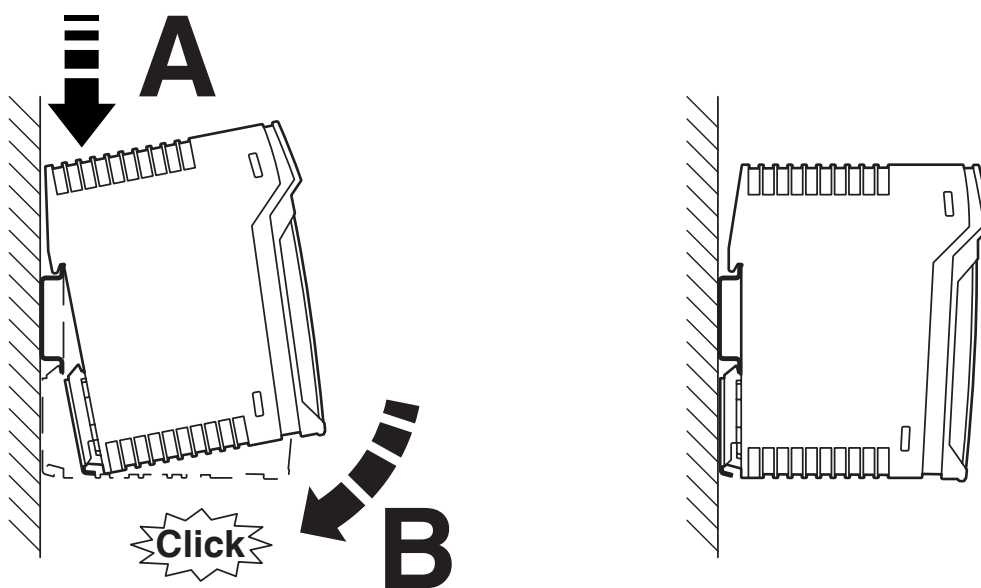
2703020

<https://www.phoenixcontact.com/gb/products/2703020>

Circuit diagram



Schematic diagram



Mounting on a DIN rail

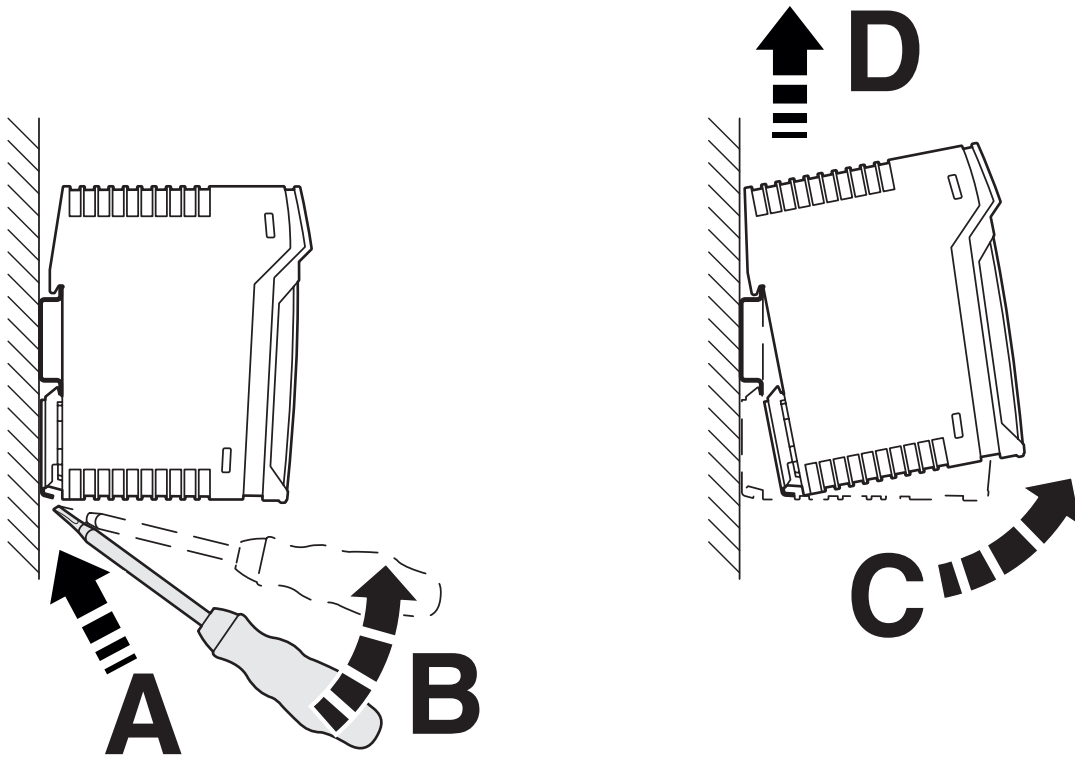
PP-RJ-RJ-F - Patch panels



2703020

<https://www.phoenixcontact.com/gb/products/2703020>

Schematic diagram



Removal

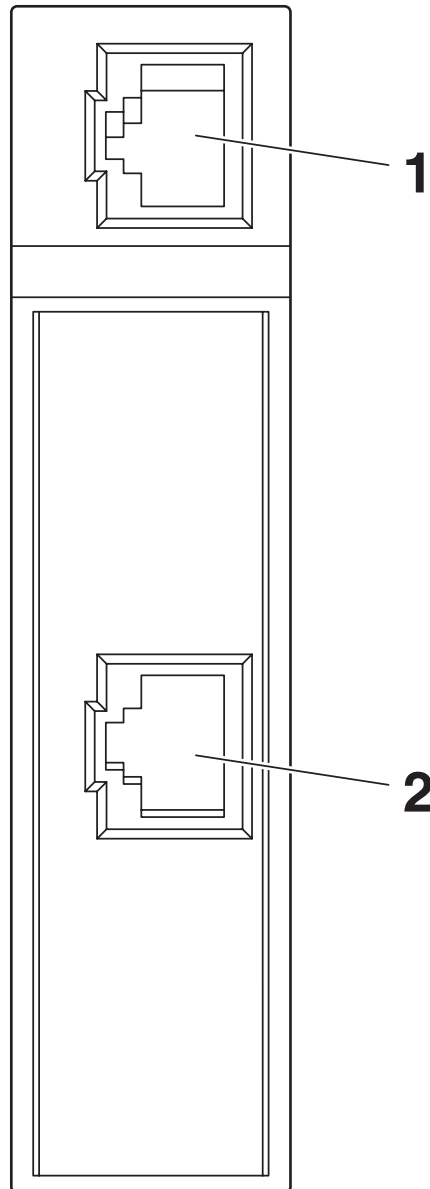
PP-RJ-RJ-F - Patch panels

2703020

<https://www.phoenixcontact.com/gb/products/2703020>



Schematic diagram



Front view

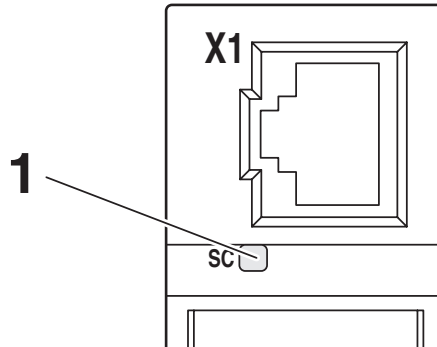
PP-RJ-RJ-F - Patch panels

2703020

<https://www.phoenixcontact.com/gb/products/2703020>



Schematic diagram



Shield current monitoring

Phoenix Contact 2023 © - all rights reserved
<https://www.phoenixcontact.com>

PHOENIX CONTACT Ltd
Halesfield 13, Telford
Shropshire, TF7 4PG
01952 681700
info@phoenixcontact.co.uk



**SCATTERGOOD
& JOHNSON LTD**
ELECTRICAL ENGINEERING & FLUID CONTROL DISTRIBUTORS

Est.1899

At Scattergood & Johnson Ltd, we pride ourselves on being a technical distributor to specialist industries.

Working with a range of quality product manufacturers across a number of specialist markets, we are not your average 'box shifter' - we are your technical and supply chain partner.

We fully support every product we sell - for free! Our internal team and external sales engineers can answer any product or application question, no matter the complexity.

Backing up this technical ability is a range of 50,000+ products available from stock for nationwide next day delivery (same day if required!), or you can collect what you need from any of our trade counters around the UK.

Select your specialist interest below to learn more about how we can help.



Online, In Branch and On the Road - Scattergood & Johnson Ltd, there when you need us.

www.scatts.co.uk