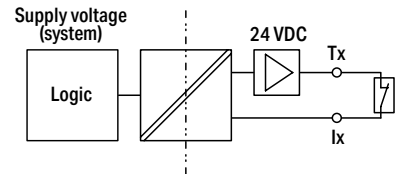
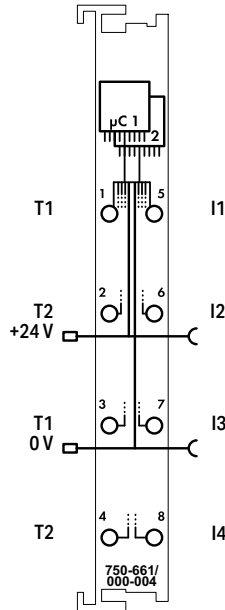
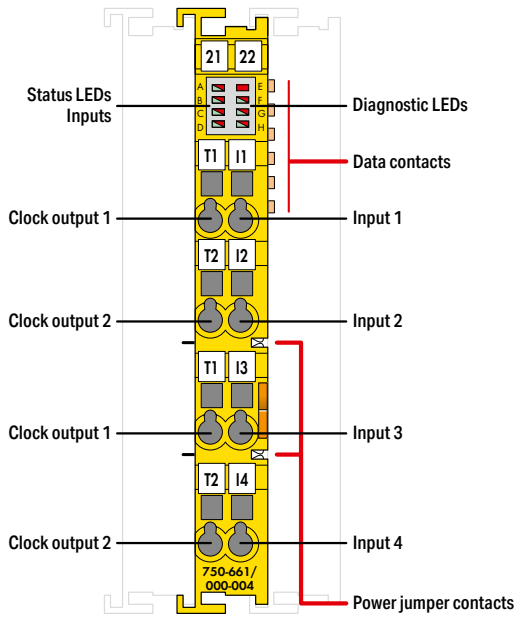


Safe 4-channel digital input; 24 VDC; PROFIsafe



The PROFIsafe module 75x-661/000-004 can connect to potential-free emergency stop buttons with contacts, safety interlock switches, operating mode switches, safety sensors and semiconductor outputs. The module is equipped with 4 clock sensitive inputs (I1 ... I4) that are fed by 2 differently clocked outputs (T1 ... T2). Clock outputs are short-circuit protected. Inputs are continually monitored for cross circuits and voltage supply from separate sources. Additional safety relevant parameters (e.g., operating modes, switching off test pulses, discrepancy or filter times) can be configured via WAGO-I/O-CHECK. The configuration tool can be conveniently integrated into engineering systems supporting both CC2 and CC3 tool calling interfaces (TCI). When exchanging modules, parameters are automatically downloaded into the control unit via PROFIsafe-compatible iPar server – depending on settings. The PROFIsafe address can be set using the DIP switch located on the side of the module, or via WAGO-I/O-CHECK.

The module supports the PROFIsafe V2.6 (PROFINET) protocol. Field and system level are galvanically separated from each other. Individual I/O modules can be arranged in any combination when configuring the fieldbus node. If necessary (e.g. cable length of the 24V supply greater than 3 meters), a WAGO filter module or an appropriate external filter must be used for the 24 V power supply to protect the module against surge and burst (per IEC 61000-6-7 and marine applications). Additional information can be found in the product manual (available in German and English). The module 75x-661/000-004 has been evaluated by UL in accordance with the standards UL/CSA 61010-1, UL/CSA 61010-2-201 and UL 121201, CSA-C22.2 No. 213. Functional safety evaluations according to the specified standards were carried out by TÜV Rheinland.

Description	Item No.	Pack. Unit
4FDI 24V PROFIsafe	750-661/000-004	1
4FDI 24V PROFIsafe (without connector)	753-661/000-004	1
Accessories		
Mini-USB Quick Marking System; plain	248-501	50
Plug; Safety	753-120	25
Coding elements	753-150	100
Standards and Approvals		
Safety standards	IEC 61508-1 ... -7; EN ISO 13849-1; EN 62061	
Conformity marking	CE	
Marine applications	DNV	
EC EMC guideline 2014/30/EU		
EMC immunity of interference	EN 61000-6-2; Marine; EN 61000-6-7 (FS)	
EMC emission of interference	EN 61000-6-4; Marine; EN 61000-6-3	
Ⓢ E175199 Ordinary Locations		
Ⓢ UL E198726 Hazardous Locations	Class I, Div2 ABCD T4	

Technical Data	
Inputs:	
Numer of digital inputs	4 inputs (single channel evaluation); 2 pairs (dual channel evaluation)
Number of clock outputs	2
Output current	max. 100 mA; per clock output
Interface types according to ZVEI CB24I	sink; A, C0, C1, C2, C3
Sensor inputs	I1 ... I4; clock sensitive to T1 ... T2; Type 1 per IEC 61131
Input current (typ.)	3.0 mA
Input frequency (max.)	50 Hz
Achievable safety classes (dual-channel)	SIL 3; Category 4, PLe
Achievable safety classes (single-channel)	SIL 2; Category 2; PLd
Supply voltage (system)	5 VDC; via data contacts
Supply voltage (field)	SELV/PELV DC 24 V (-25 ... +30 %); via power jumper contacts (power supply via blade contact; transmission via spring contact)
Power consumption (5 V system supply)	max. 120 mA
Power consumption, field supply (module with no external load)	25 mA
Connection technology: inputs/outputs	CAGE CLAMP®
Conductor cross sections	0.08 ... 2.5 mm² / 28 ... 14 AWG
Strip length	8 ... 9 mm / 0.33 inch (750 Series); 9 ... 10 mm / 0.37 inch (753 Series)
Dimensions W x H x D	12 x 100 x 67.8 mm
Weight	Approx. 51 g
Number of outgoing power jumper contacts	2
Current carrying capacity (power jumper contacts)	max. 10 A
Surrounding air temperature (operation)	0 ... 55 °C
Relative humidity (without condensation)	95 %
Operating altitude	0 ... 2000 m



**SCATTERGOOD
& JOHNSON LTD**
ELECTRICAL ENGINEERING & FLUID CONTROL DISTRIBUTORS

Est.1899

At Scattergood & Johnson Ltd, we pride ourselves on being a technical distributor to specialist industries.

Working with a range of quality product manufacturers across a number of specialist markets, we are not your average 'box shifter' - we are your technical and supply chain partner.

We fully support every product we sell - for free! Our internal team and external sales engineers can answer any product or application question, no matter the complexity.

Backing up this technical ability is a range of 50,000+ products available from stock for nationwide next day delivery (same day if required!), or you can collect what you need from any of our trade counters around the UK.

Select your specialist interest below to learn more about how we can help.



Online, In Branch and On the Road - Scattergood & Johnson Ltd, there when you need us.

www.scatts.co.uk