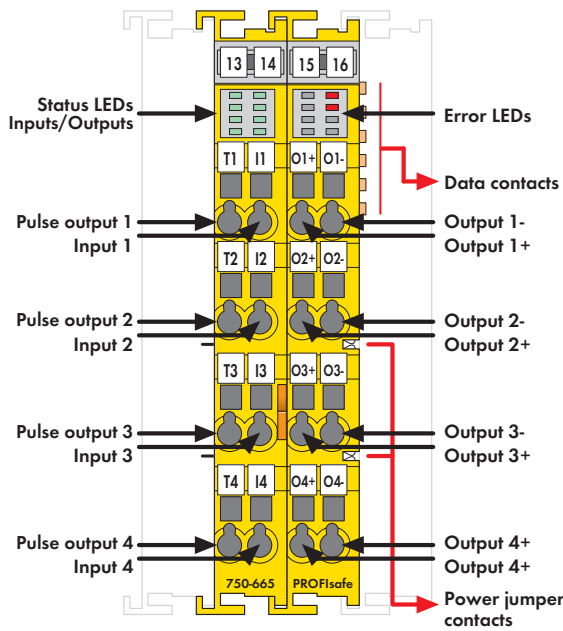
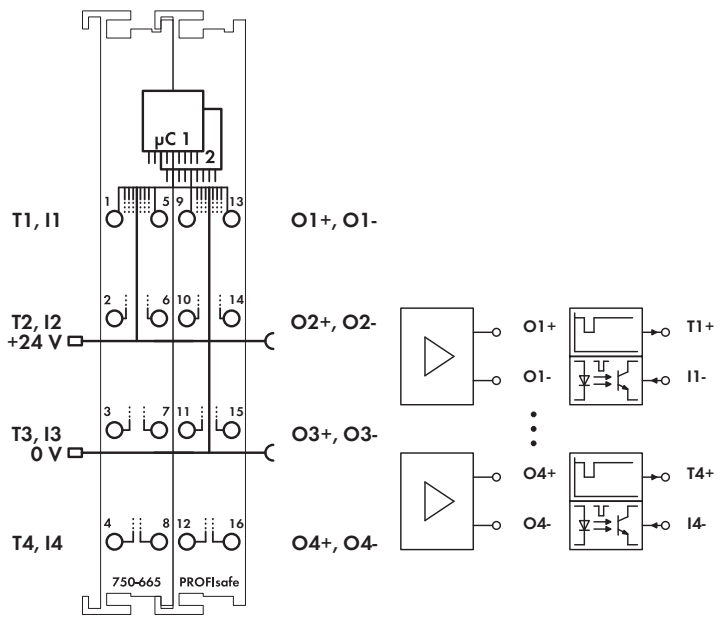


750-665/000-001

4-Channel Digital Input and 4-Channel Digital Output Module
PROFIsafe V1.3



Delivered without miniature WSB markers



The 750-665/000-001 PROFIsafe Input/Output Module has 4 power outputs (O1 ... O4) and 4 clock sensitive inputs (I1 ... I4) that are fed by 4 differently clocked outputs (T1 ... T4).

Clock outputs are short-circuit protected. The inputs and outputs are continually monitored for cross circuits and voltage supply from separate sources.

The associated green LED for each of the 4 input channels and 4 output channels indicates the signal state. Two red LEDs also indicate internal or external errors.

The PROFIsafe address can be set using the code switch located on the side.

An optocoupler provides electrical isolation between the bus and the field side.

Individual input modules can be arranged in any combination when configuring the fieldbus node. An arrangement in groups is not necessary.

Reference the product manual for further information.

When implementing new installations, please consider PROFIsafe V2 iPar 750-667/000-003 4-Channel Digital Input/Output Safety Module.

Description	Item No.	Pack. Unit
4FDO 0.5A, 4FDI 24V DC PROFIsafe V1.3	750-665/000-001	1
Accessories		
Miniature WSB Quick marking system		
plain	248-501	5
with marking	see Section 11	
Standards and Approvals		
Basic standard safety applications	IEC 61508, parts 1-7, 1998 und 2000; EN 954-1 Cat. 4	
Conformity marking	CE	
Korea Certification	KC	
UL 508		
ANSI/ISA 12.12.01	Class I, Div. 2, Grp. ABCD, T4	
TÜV 07 ATEX 554086 X	I M2 Ex d I Mb, II 3 G Ex nA IIC T4 Gc, II 3 D Ex tc IIIC T135°C Dc	
IECEx TUN 09.0001 X	Ex d I Mb, Ex nA IIC T4 Gc, Ex tc IIIC T135°C Dc	

Technical Data	
Inputs	I1 ... I4; pulse inputs (T1 ... T4)
Achievable safety classes	4 x Cat. 2/SIL 2 or 2 x Cat. 4/SIL 3
Outputs	O1 ... O4: outputs for actuators
Achievable safety classes	4 x Cat. 2/SIL 2 or 2 x Cat. 4/SIL 3
Voltage via power jumper contacts	24 V DC (-15 % ... +20 %)
Current via power jumper contacts (max.)	10 A DC
Current consumption typ. (KBUS)	55 mA
Reactance (max.)	capacitive reactance 2 nF; category DC 13
Response times (min ... max) Inputs	t _{on} (H>L) = 13 ms ... 71 ms t _{off} (H>L) = 13 ms ... 26 ms plus 2 x runtime internal bus plus 2 x runtime coupler - PLC plus runtime PLC
Response times (max.) Outputs	t _{on} (H>L) = 13 ms t _{off} (H>L) = 13 ms plus 2 x runtime internal bus plus 2 x runtime coupler - PLC plus runtime PLC
Switching frequency _{max}	
resistive load	5 Hz
inductive load acc. to IEC947-5-1, DC13	0.1 Hz, 5 Hz with free-wheeling diodes
Proof test interval	10 years
Wire connection	CAGE CLAMP®
Cross sections	0.08 mm² ... 2.5 mm² / AWG 28 ... 14
Strip lengths	8 ... 9 mm / 0.33 in
Width	24 mm
Weight	98 g
EMC immunity of interference	acc. to EN 61000-6-2
EMC emission of interference	acc. to EN 61000-6-4



**SCATTERGOOD
& JOHNSON LTD**
ELECTRICAL ENGINEERING & FLUID CONTROL DISTRIBUTORS

Est.1899

At Scattergood & Johnson Ltd, we pride ourselves on being a technical distributor to specialist industries.

Working with a range of quality product manufacturers across a number of specialist markets, we are not your average 'box shifter' - we are your technical and supply chain partner.

We fully support every product we sell - for free! Our internal team and external sales engineers can answer any product or application question, no matter the complexity.

Backing up this technical ability is a range of 50,000+ products available from stock for nationwide next day delivery (same day if required!), or you can collect what you need from any of our trade counters around the UK.

Select your specialist interest below to learn more about how we can help.



Online, In Branch and On the Road - Scattergood & Johnson Ltd, there when you need us.

www.scatts.co.uk