

PF 43.000 | PFA 40.000

ECOOL FILTERFAN | EXHAUST FILTER 223–265 m³/h

- installation size 4, air flow rate up to 265 m³/h
- two performance classes, cut-out compatible
- system of protection IP 54 and IP 55, NEMA type 12
- UL, cUL approval
- UV-resistance (IP 55 version)
- cut-out compatible with installation size 4 from the 3rd Generation
- exhaust filters also available in 24 piece packaging for faster assembly



PRODUCT		PF 43.000					Unit
ARTICLE NO.	IP 54	11643021055	11643101055	11643151055	11643801055	11643701055	
ARTICLE NO.	IP 55	11643023055	11643103055	11643153055	11643803055	11643703055	

DATA		AC 50 60 Hz			DC		
Rated voltage ±10 %		400	230	115	24	48	V
Unimpeded airflow	IP 54	223 247			223		m³/h
	IP 55	233 265			233		
Airflow rate in comb. with exhaust filter	IP 54	201 223			201		
	IP 55	180 207			180		
Power consumption		49 42	45 39	40 40	12		W
Current consumption		0.16 0.14	0.31 0.25	0.5 0.5	0.5	0.25	A
Noise level according to EN ISO 3741		53			53		dB (A)
Weight		1.67			1.51		kg
Type of connection		spring-type terminal					
Fuse		6					A
System of protection according to EN 60529 / UL 50	IP 54	NEMA type 12 - standard filter					
	IP 55	NEMA type 12 - fluted filter					
Filtration efficiency	IP 54	88					%
	IP 55	91					
Filter mat quality class according to EN 779	IP 54	G 4					
	IP 55	G 4					
Duty cycle		100					%
Bearing type		ball bearing					
Service life L ₁₀ (+ 40 °C) ¹		40000			80000		h
Temperature range		-40 ... +55 -40 ... +131					°C °F
Design (housing and protection against accidental contact)	IP 54	made of injection-moulded thermoplastic, self-extinguishing, UL 94 V0					
	IP 55	additional: UV-resistant					
Colour		RAL 7035 different colours available on request					

ACCESSORIES		ARTICLE NUMBER	
Exhaust filter	gray	1 piece 11740001055	24 piece assembly packaging 11740001412
Exhaust filter	black	1 piece 11740001050	
Spare filter mats	5 pieces	IP54: 18611600032; IP55: 18611600036	
Thermostat		17121000000	
Hygrostat		17207000000	
Rainhood in stainless steel		18102000017	

For additional models, options and voltages visit www.pfannenber.com or contact us directly.

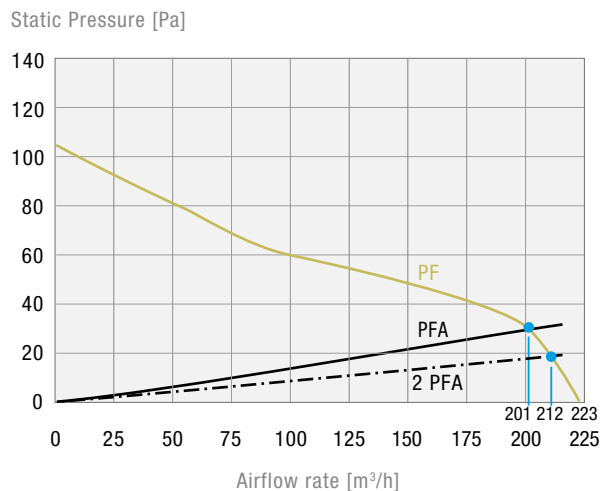
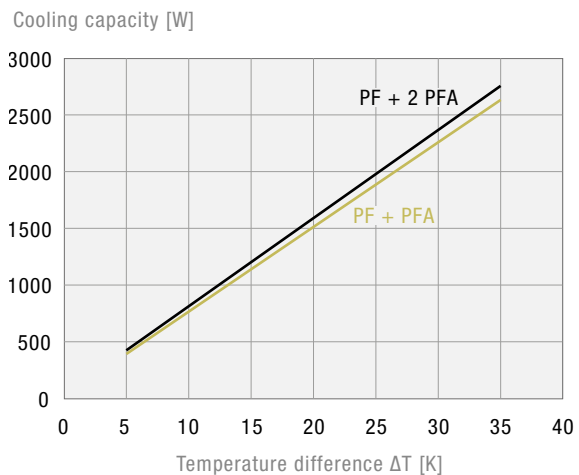
¹ fan failure is defined as being when the current and speed deviate or the operating noises are out of the ordinary



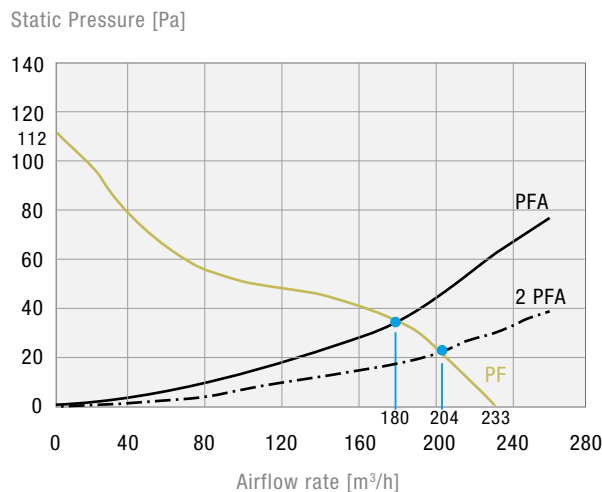
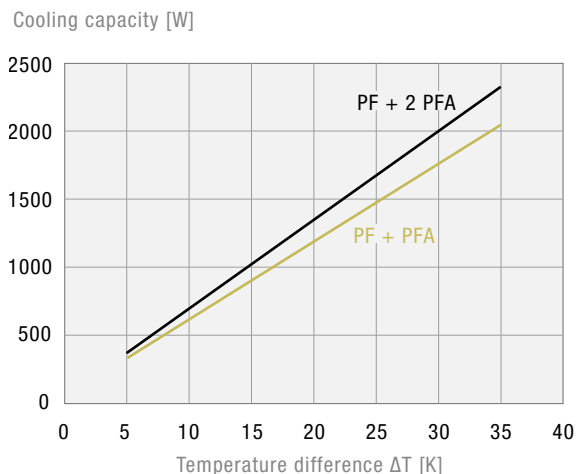
Cooling capacity performance curves

Static pressure performance curve

PF 43.000 IP 54

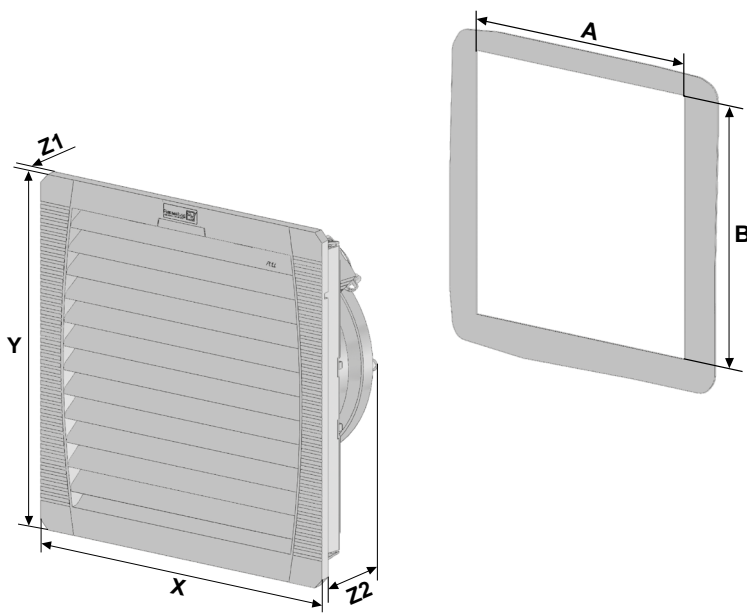


PF 43.000 IP 55



Dimensions

mm	PF 43.000		PFA 40.000
	AC	DC	
X	252	252	252
Y	252	252	252
Z1	6	6	6
Z2	113	97	38
A¹	223	223	223
B¹	223	223	223



¹ for material thicknesses up to 2 mm
+ 1 mm for thickness of material > 2 mm ≤ 3 mm



**SCATTERGOOD
& JOHNSON LTD**
ELECTRICAL ENGINEERING & FLUID CONTROL DISTRIBUTORS

Est.1899

At Scattergood & Johnson Ltd, we pride ourselves on being a technical distributor to specialist industries.

Working with a range of quality product manufacturers across a number of specialist markets, we are not your average 'box shifter' - we are your technical and supply chain partner.

We fully support every product we sell - for free! Our internal team and external sales engineers can answer any product or application question, no matter the complexity.

Backing up this technical ability is a range of 50,000+ products available from stock for nationwide next day delivery (same day if required!), or you can collect what you need from any of our trade counters around the UK.

Select your specialist interest below to learn more about how we can help.



Online, In Branch and On the Road - Scattergood & Johnson Ltd, there when you need us.

www.scatts.co.uk