

NBC-PP-P1PGY:10 - Dust protection cover



1041860

<https://www.phoenixcontact.com/gb/products/1041860>

Please be informed that the data shown in this PDF document is generated from our online catalog. Please find the complete data in the user documentation. Our general terms of use for downloads are valid.

Dust protection cover



Your advantages

- Perfect for industrial applications
- Compact angle
- Perfect for office, building, and protected industrial applications (e.g., in control cabinets)

NBC-PP-P1PGY:10 - Dust protection cover



1041860

<https://www.phoenixcontact.com/gb/products/1041860>

Technical data

Notes

General	For integration into DIN rail adapter NBC-PP-G1PGY
---------	--

Product properties

Product type	Female insert
Number of slots	1

Material specifications

Material	PP
Contact material	Copper alloy
Contact carrier material	LCP

Environmental and real-life conditions

Ambient conditions

Degree of protection	IP20
----------------------	------

Mounting

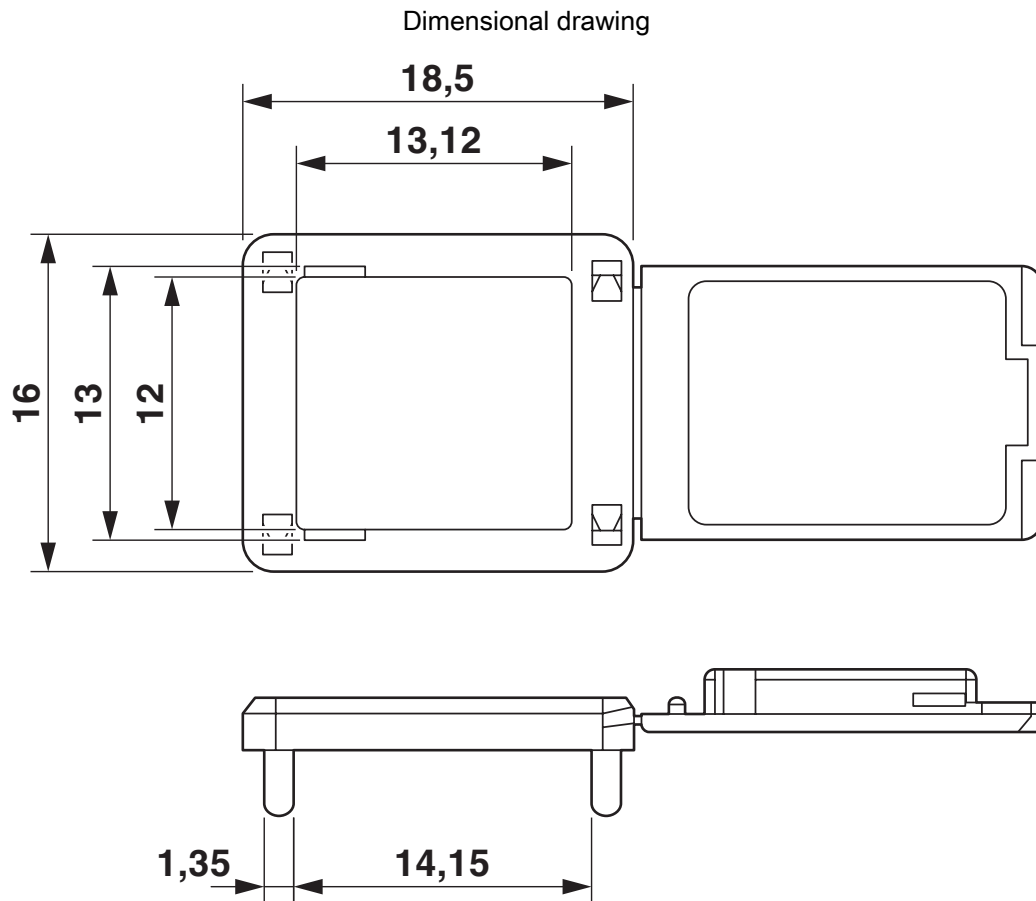
Mounting type	PCB mounting
---------------	--------------

NBC-PP-P1PGY:10 - Dust protection cover

1041860

<https://www.phoenixcontact.com/gb/products/1041860>

Drawings



Phoenix Contact 2024 © - all rights reserved
<https://www.phoenixcontact.com>

PHOENIX CONTACT Ltd
Halesfield 13, Telford
Shropshire, TF7 4PG
01952 681700
info@phoenixcontact.co.uk