

NBC-PP-A1PRD:10 - Port Guard Security Element



1041900

<https://www.phoenixcontact.com/gb/products/1041900>

Please be informed that the data shown in this PDF document is generated from our online catalog. Please find the complete data in the user documentation. Our general terms of use for downloads are valid.



Port Guard Security Element

Product description

Port Guard Security Element, for securing the RJ45 interface against unauthorized access, with key element

Your advantages

- Perfect for industrial applications
- Compact angle
- Perfect for office, building, and protected industrial applications (e.g., in control cabinets)

1041900

<https://www.phoenixcontact.com/gb/products/1041900>

Technical data

Notes

General	For RJ45 socket modules
---------	-------------------------

Product properties

Product type	Female insert
Number of slots	1

Material specifications

Material	PC
Contact material	Copper alloy
Contact carrier material	LCP

Mounting

Mounting type	PCB mounting
---------------	--------------

NBC-PP-A1PRD:10 - Port Guard Security Element

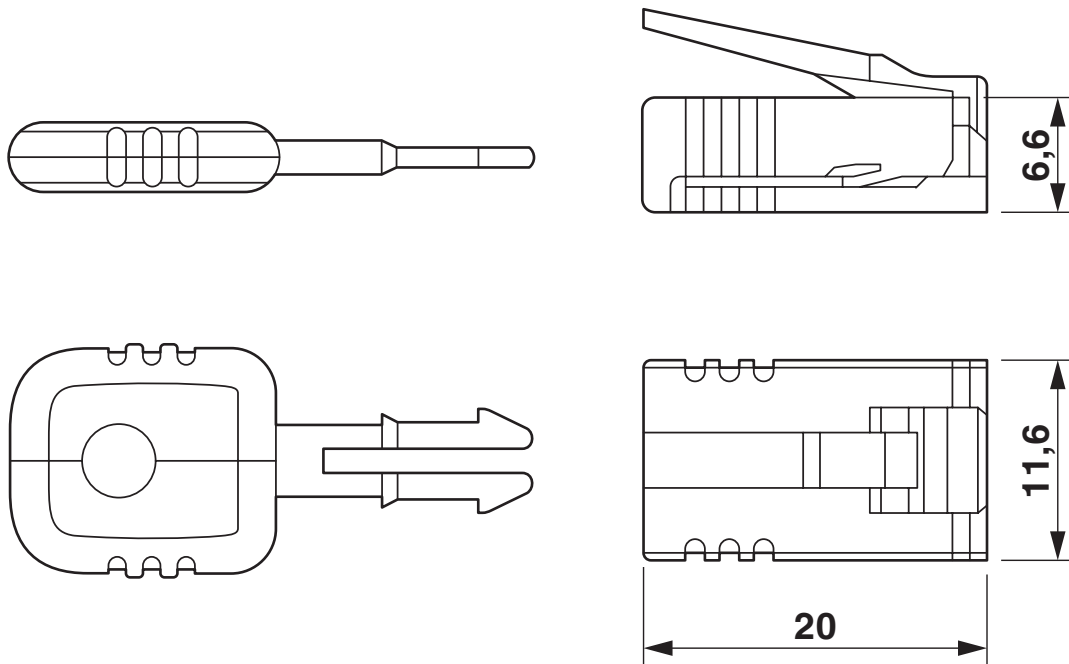


1041900

<https://www.phoenixcontact.com/gb/products/1041900>

Drawings

Dimensional drawing



Phoenix Contact 2024 © - all rights reserved
<https://www.phoenixcontact.com>

PHOENIX CONTACT Ltd
Halesfield 13, Telford
Shropshire, TF7 4PG
01952 681700
info@phoenixcontact.co.uk