

# MACX MCR-EX-SL-NAM-2T - Isolation amplifier



2865463

<https://www.phoenixcontact.com/gb/products/2865463>

Please be informed that the data shown in this PDF document is generated from our online catalog. Please find the complete data in the user documentation. Our general terms of use for downloads are valid.



Ex i NAMUR isolating amplifier For operating proximity sensors and switches in Ex areas. The signals are transmitted via 2 transistor outputs (passive) to the safe area. Line fault detection (LFD), 3-way isolation, SIL 2.

## Your advantages

- Power supply and error indication possible via DIN rail connector
- Up to SIL 2 in accordance with EN 61508
- Installation in zone 2, protection type "n" (EN 60079-15) permitted
- Signal output 2 can also be used as an error signaling output
- Line fault detection (LFD), can be activated/deactivated, error indicated by flashing red LED with disabling of transistor output
- LED indicators for supply voltage, switching state, and malfunction in accordance with NAMUR NE 44
- 4-way electrical isolation
- Direction of operation can be selected (operating or closed circuit current behavior)
- 2 transistor signal outputs (passive); up to 5 kHz
- Input for NAMUR proximity sensors (EN 60947-5-6), floating contacts or contacts with resistance circuit, [Ex ia] IIC

## Technical data

### Notes

#### Utilization restriction

EMC note	EMC: class A product, see manufacturer's declaration in the download area
----------	---

### Product properties

Product type	Isolating switch transf.
Product family	MACX Analog
Application	Digital IN
No. of channels	1
Type	Ex i signal conditioners with SIL functional safety
Configuration	DIP switches

#### Insulation characteristics: GB Standard

Overvoltage category	II
Pollution degree	2

### System properties

#### Functionality

Configuration	DIP switches
---------------	--------------

### Electrical properties

Electrical isolation	3-way isolation
Electrical isolation between input and output	yes

#### Electrical isolation Input/output

Electrical isolation	375 V (Peak value in accordance with IEC/EN 60079-11)
----------------------	---

#### Electrical isolation Input/output/supply, DIN rail connector

Rated insulation voltage	300 V <sub>rms</sub>
Test voltage	2.5 kV AC (50 Hz, 60 s)
Insulation	Safe isolation in accordance with IEC/EN 61010-1

#### Electrical isolation Input/supply, DIN rail connector

Electrical isolation	375 V (Peak value in accordance with IEC/EN 60079-11)
----------------------	---

#### Electrical isolation Output 1/output 2

Rated insulation voltage	50 V <sub>rms</sub>
Test voltage	1 kV AC (50 Hz, 60 s)
Insulation	Basic insulation in accordance with IEC/EN 61010-1

### Supply

Nominal supply voltage	24 V DC
Supply voltage range	19.2 V DC ... 30 V DC (24 V DC, -20 % ... +25 %)

# MACX MCR-EX-SL-NAM-2T - Isolation amplifier



2865463

<https://www.phoenixcontact.com/gb/products/2865463>

Max. current consumption	< 28 mA (24 V DC)
Power dissipation	≤ 800 mW
Power consumption	≤ 800 mW

## Input data

Signal: NAMUR

Description of the input	Intrinsically safe
Number of inputs	1
Available input sources	NAMUR proximity sensors (IEC/EN 60947-5-6)
	Floating switch contacts
	Switch contacts with resistance circuit
Switching threshold "0" signal current	< 1.2 mA (blocking)
Switching threshold "1" signal, current	> 2.1 mA (conductive)
Short-circuit current	8 mA
Switching hysteresis	< 0.2 mA
Line fault detection	< 0.05 mA ... 0.35 mA (Line break)
	< 100 Ω ... 360 Ω (Short circuit)
	Activated /deactivated via DIP switch
Non-load voltage	8 V DC

## Output data

Switching: Transistor

Output description	passive
Minimum switching voltage	3 V DC
Maximum switching voltage	30 V DC
Drop ( $\Delta U$ )	< 1.4 V
Max. switching current	50 mA (short-circuit-proof)
Min. switching current	5 mA (short-circuit-proof)
Switching frequency	≤ 5 kHz

Signal

Number of outputs	2
-------------------	---

## Connection data

Connection method	Screw connection
Stripping length	7 mm
Screw thread	M3
Conductor cross section rigid	0.2 mm <sup>2</sup> ... 2.5 mm <sup>2</sup>
Conductor cross section flexible	0.2 mm <sup>2</sup> ... 2.5 mm <sup>2</sup>
Conductor cross section AWG	24 ... 14
Tightening torque	0.5 Nm ... 0.6 Nm

Test socket

Max. diameter	2 mm
---------------	------

# MACX MCR-EX-SL-NAM-2T - Isolation amplifier



2865463

<https://www.phoenixcontact.com/gb/products/2865463>

## Ex data

Ex installation (EPL)	Gc
	Div. 2
Ex i circuits (EPL)	Ga
	Da
	Ma
	Div. 1

## Safety data

Max. internal inductance $L_i$	negligible
Max. internal capacitance $C_i$	1.1 nF
Max. output voltage $U_o$	9.6 V
Max. output current $I_o$	10 mA
Max. output power $P_o$	25 mW
Safety-related maximum voltage $U_m$	253 V AC
	125 V DC
IIA (simple circuit): Max. external inductivity $L_o$ / Max. external capacitance $C_o$	1000 mH / 210 $\mu$ F
IIB/IIIC (simple circuit): Max. external inductivity $L_o$ / Max. external capacitance $C_o$	1000 mH / 26 $\mu$ F
IIC (simple circuit): Max. external inductivity $L_o$ / Max. external capacitance $C_o$	300 mH / 3.6 $\mu$ F
IIC (mixed circuit): Max. external inductivity $L_o$ / Max. external capacitance $C_o$	100 mH / 510 nF, 50 mH / 580 nF, 5 mH / 600 nF, 1 mH / 600 nF, 10 $\mu$ H / 600 nF
IIB/IIA/IIIC (mixed circuit): Max. external inductivity $L_o$ / Max. external capacitance $C_o$	100 mH / 1 $\mu$ F, 5 mH / 1 $\mu$ F, 1 mH / 1 $\mu$ F, 10 $\mu$ H / 1 $\mu$ F

## Interfaces

### Data

No. of channels	0
-----------------	---

## Signaling

Status display	Green LED (supply voltage)
	LED yellow (switching state)
	Red LED (line errors)

## Dimensions

Dimensional drawing	
Width	12.5 mm

# MACX MCR-EX-SL-NAM-2T - Isolation amplifier



2865463

<https://www.phoenixcontact.com/gb/products/2865463>

Height	112.5 mm
Depth	113.7 mm
Depth NS 35/7,5	114.5 mm (Snapped onto DIN rail NS 35/7,5 in accordance with EN 60715)

## Material specifications

Color	gray (RAL 7042)
Flammability rating according to UL 94	V0 (Housing)
Housing material	PA 6.6-FR

## Characteristics

### Safety data

Safety Integrity Level (SIL)	2
------------------------------	---

### Safety data

Safety Integrity Level (SIL)	2
------------------------------	---

## Environmental and real-life conditions

### Ambient conditions

Degree of protection	IP20 (not assessed by UL)
Ambient temperature (operation)	-40 °C ... 70 °C (Any mounting position) -40 °C ... 70 °C (Derating)
Ambient temperature (storage/transport)	-40 °C ... 80 °C
Permissible humidity (operation)	10 % ... 95 % (non-condensing)

### Altitude range (≤ 2000 m)

Altitude	≤ 2000 m (The technical data refers to altitudes ≤2000 m above mean sea level. For altitudes >2000 m above mean sea level, refer to the data sheet.)
Ambient temperature (operation)	-40 °C ... 60 °C -40 °C ... 70 °C (Derating)
Rated insulation voltage	265 V AC/DC ( $U_{\text{Isolation "ec"}}$ : Supply, input / output)

### Altitude range (≤ 3000 m)

Height range	> 2000 m ... 3000 m
Ambient temperature (operation)	-40 °C ... 54 °C -40 °C ... 63 °C (Derating)
Safety-related maximum voltage $U_m$	190 V AC 110 V DC
Rated insulation voltage	190 V AC/DC ( $U_{\text{Isolation "ec"}}$ : Supply, input / output)

### Altitude range (≤ 4000 m)

Height range	> 3000 m ... 4000 m
Ambient temperature (operation)	-40 °C ... 48 °C -40 °C ... 56 °C (Derating)
Safety-related maximum voltage $U_m$	60 V

# MACX MCR-EX-SL-NAM-2T - Isolation amplifier



2865463

<https://www.phoenixcontact.com/gb/products/2865463>

Rated insulation voltage	60 V AC/DC (U <sub>Isolation "ec"</sub> : Supply, input / output)
Altitude range (≤ 5000 m)	
Height range	> 4000 m ... 5000 m
Ambient temperature (operation)	-40 °C ... 42 °C
	-40 °C ... 49 °C (Derating)
Safety-related maximum voltage U <sub>m</sub>	60 V
Rated insulation voltage	60 V AC/DC (U <sub>Isolation "ec"</sub> : Supply, input / output)

## Approvals

### CE

Certificate	CE-compliant
Note	and EN 61326

### ATEX

Identification	⊕ II (1) G [Ex ia Ga] IIC
	⊕ II (1) D [Ex ia Da] IIIC
	⊕ II 3(1) G Ex ec [ia Ga] IIC T4 Gc
	⊕ I (M1) [Ex ia Ma] I
Certificate	IBExU 08 ATEX 1100 X

### UKCA Ex (UKEX)

Identification	⊕ I (M1) [Ex ia Ma] I
	⊕ II (1) G [Ex ia Ga] IIC
	⊕ II (1) D [Ex ia Da] IIIC
	⊕ II 3 (1) G Ex ec [ia Ga] IIC T4 Gc
Certificate	CML 22UKEX3527X

### IECEX

Identification	[Ex ia Ga] IIC
	[Ex ia Da] IIIC
	Ex ec [ia Ga] IIC T4 Gc
	[Ex ia Ma] I
Certificate	IECEX IBE 08.0005X

### CCC / China-Ex

Identification	[Ex ia Ga] IIC
	[Ex iaD]
	Ex nA [ia Ga] IIC T4 Gc
Certificate	NEPSI GYJ20.1313X

### UL, USA/Canada

Identification	Class I Div 2; IS for Class I, II, III Div 1
Certificate	Ⓢ.Ⓢ. C.D.-No 83104549

### Shipbuilding approval

Certificate	DNV GL TAA00000AG
-------------	-------------------

# MACX MCR-EX-SL-NAM-2T - Isolation amplifier



2865463

<https://www.phoenixcontact.com/gb/products/2865463>

## Safety Integrity Level (SIL, IEC 61508)

Identification	2
----------------	---

## INMETRO

Identification	[Ex ia Ga] IIC
	[Ex ia Da] IIIC
	Ex ec [ia Ga] IIC T4 Gc
	[Ex ia Ma] I
Certificate	DNV 18.0141 X

## EAC Ex

Identification	Ex [Ex ia Ga] IIC
	Ex [Ex ia Da] IIIC
Certificate	RU C-DE.AB72.B.00093/19

## DNV GL data

Temperature	B
Humidity	B
Vibration	A
EMC	B
Enclosure	Required protection according to the Rules shall be provided upon installation on board

## EMC data

Noise immunity	EN 61000-6-2
Electromagnetic compatibility	Conformance with EMC directive
Noise emission	EN 61000-6-4

## Electromagnetic HF field

Designation	Electromagnetic RF field
Standards/regulations	EN 61000-4-3
Evaluation criterion	A

## Fast transients (burst)

Designation	Fast transients (burst)
Standards/regulations	EN 61000-4-4
Evaluation criterion	A

## Conducted interference

Designation	Conducted interferences
Standards/regulations	EN 61000-4-6
Evaluation criterion	A

## Standards and regulations

Electrical isolation	3-way isolation
----------------------	-----------------

## GB Standard

# MACX MCR-EX-SL-NAM-2T - Isolation amplifier



2865463

<https://www.phoenixcontact.com/gb/products/2865463>

Standards/regulations	GB 3626.20
	GB 3836.1
	GB 3836.4
	GB 3836.8
	GB 12476.1
	GB 12476.4

## Mounting

Mounting type	DIN rail mounting
---------------	-------------------

# MACX MCR-EX-SL-NAM-2T - Isolation amplifier

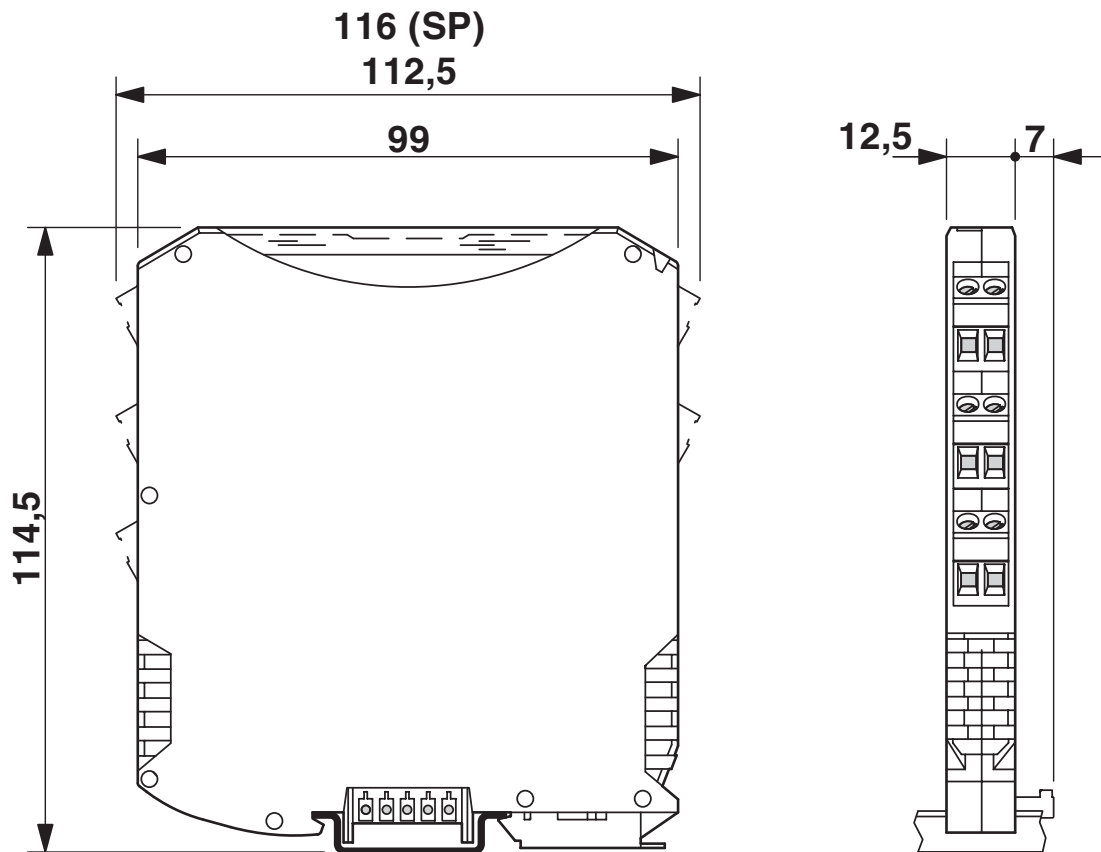


2865463

<https://www.phoenixcontact.com/gb/products/2865463>

## Drawings

Dimensional drawing



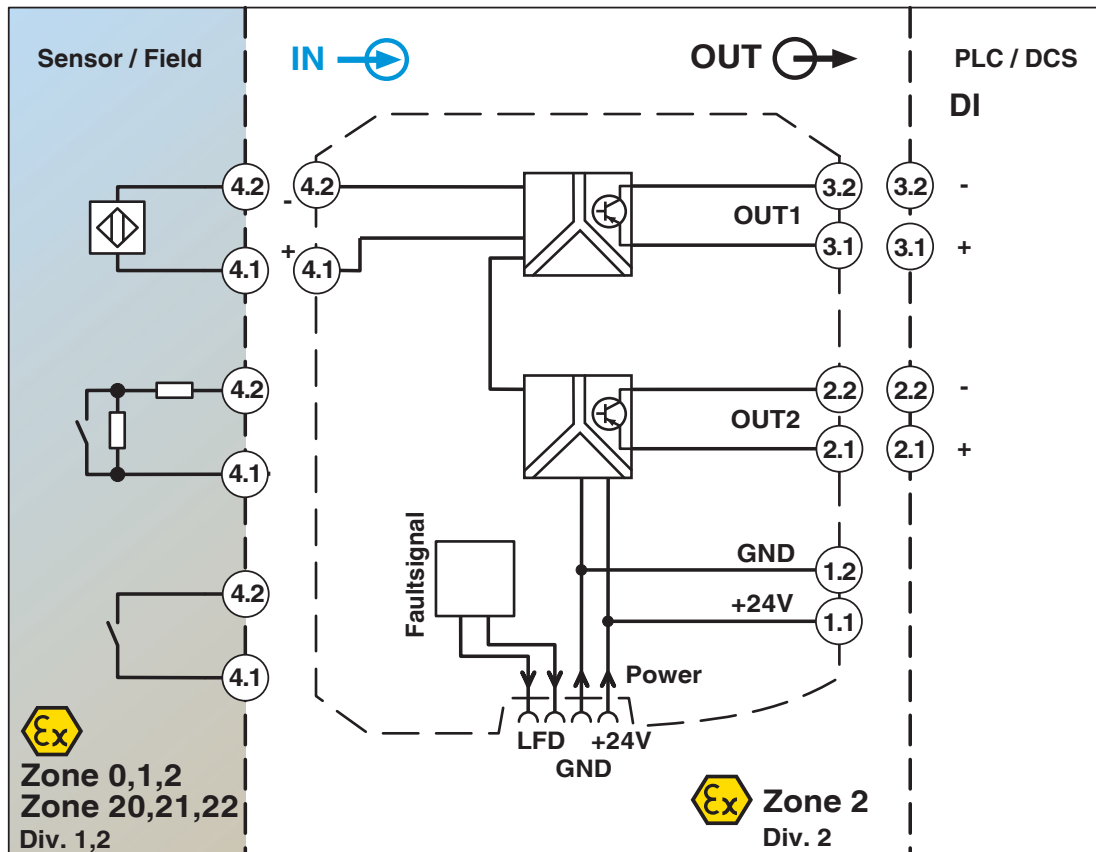
# MACX MCR-EX-SL-NAM-2T - Isolation amplifier



2865463

<https://www.phoenixcontact.com/gb/products/2865463>

Block diagram



Phoenix Contact 2024 © - all rights reserved  
<https://www.phoenixcontact.com>

PHOENIX CONTACT Ltd  
 Halesfield 13, Telford  
 Shropshire, TF7 4PG  
 01952 681700  
[info@phoenixcontact.co.uk](mailto:info@phoenixcontact.co.uk)