

# MACX MCR-EX-SL-SD-23-48-LFD - Solenoid driver



2924867

<https://www.phoenixcontact.com/gb/products/2924867>

Please be informed that the data shown in this PDF document is generated from our online catalog. Please find the complete data in the user documentation. Our general terms of use for downloads are valid.



Ex i solenoid driver for controlling Ex i solenoid valves in hazardous areas, logic input, off-load voltage 22.6 V, current limitation at 48 mA, line fault transparency, error message output, up to SIL 3 in accordance with IEC 61508, screw connection

## Your advantages

- Input: logic
- Output: intrinsically safe [Ex ia]; off-load voltage > 22.6 V DC; current limitation > 48 mA
- Line fault detection (can be enabled/disabled), via the signal circuit or via a separate error message output
- Transparent for test pulses
- Up to SIL 3 according to IEC/EN 61508
- Safe electrical isolation between output, input, supply, and error message output
- Power supply and error indication possible via DIN rail connector
- Plug-in connection terminals, screw connection technology
- Installation in zone 2 permitted
- Housing width: 12.5 mm

## Technical data

### Notes

#### Utilization restriction

EMC note	EMC: class A product, see manufacturer's declaration in the download area
----------	---

### Product properties

Product type	Solenoid driver
Product family	MACX Analog
No. of channels	1
Type	Ex i signal conditioners with SIL functional safety

### Electrical properties

#### Electrical isolation

Overvoltage category	II
Pollution degree	2

#### Electrical isolation Output/input, error message output IEC/EN 60079-11

Standards/regulations	IEC/EN 60079-11
Rated insulation voltage	375 V <sub>PP</sub>
Test voltage	2.5 kV AC (50 Hz, 60 s)

#### Electrical isolation Output/input, error message output IEC/EN 61010-1

Standards/regulations	IEC/EN 61010-1
Rated insulation voltage	300 V <sub>rms</sub>
Test voltage	2.5 kV AC (50 Hz, 60 s)
Insulation	Safe isolation

#### Electrical isolation Output/supply, DIN rail connector IEC/EN 60079-11

Standards/regulations	IEC/EN 60079-11
Rated insulation voltage	375 V <sub>PP</sub>
Test voltage	2.5 kV AC (50 Hz, 60 s)

#### Electrical isolation Output/supply, DIN rail connector IEC/EN 61010-1

Standards/regulations	IEC/EN 61010-1
Rated insulation voltage	300 V <sub>rms</sub>
Test voltage	2.5 kV AC (50 Hz, 60 s)
Insulation	Safe isolation

#### Electrical isolation Input/error message output/supply

Test voltage	1.5 kV AC (50 Hz, 60 s)
--------------	-------------------------

### Supply

Nominal supply voltage	24 V DC -20 % ... +25 %
------------------------	-------------------------

# MACX MCR-EX-SL-SD-23-48-LFD - Solenoid driver



2924867

<https://www.phoenixcontact.com/gb/products/2924867>

Supply voltage range	19.2 V DC ... 30 V DC
Power dissipation	< 1.8 W

## Input data

Signal: Logic

Number of inputs	1
Switching level "0" signal	0 V DC ... 5 V DC (or open)
Switching level "1" signal	15 V DC ... 30 V DC
Input current	< 12 mA
Input impedance	3 M $\Omega$ (high-resistance in the event of a line fault at the output)
Immune to test pulses	Yes

## Output data

Signal: Error message output

Contact switching type	N/O contact
Type of output signal	Transistor output, passive
Maximum switching voltage	30 V DC
Max. switching current	50 mA
Short-circuit-proof	yes

Signal: Voltage

Output description	intrinsically safe
Number of outputs	1
Output voltage	$\geq 9.36$ V DC (48 mA)
Output resistor	$\geq 269.3$ $\Omega$ (Internal resistance $R_i$ )
Current limitation	> 48 mA (with line fault detection)
Response time	< 30 ms
Non-load voltage	> 22.5 V DC
Short-circuit-proof	yes
Line fault detection	> 10 k $\Omega$ (Line break) < 50 $\Omega$ (Short circuit) Activated /deactivated via DIP switch

## Connection data

Connection method	Screw connection
Stripping length	7 mm
Screw thread	M3
Conductor cross section rigid	0.2 mm <sup>2</sup> ... 2.5 mm <sup>2</sup>
Conductor cross section flexible	0.2 mm <sup>2</sup> ... 2.5 mm <sup>2</sup>
Conductor cross section AWG	24 ... 14
Tightening torque	0.5 Nm ... 0.6 Nm

Test socket

Max. diameter	2.3 mm
---------------	--------

# MACX MCR-EX-SL-SD-23-48-LFD - Solenoid driver



2924867

<https://www.phoenixcontact.com/gb/products/2924867>

## Ex data

Ex installation (EPL)	Gc
	Div. 2
Ex i circuits (EPL)	Ga
	Da
	Ma
	Div. 1

## Safety data

Max. internal inductance $L_i$	negligible
Max. internal capacitance $C_i$	11 nF
Max. output voltage $U_o$	25.3 V
Max. output current $I_o$	94 mA
Max. output power $P_o$	595 mW
Safety-related maximum voltage $U_m$	253 V AC
	125 V DC
IIC: Max. external inductivity $L_o$ / Max. external capacitance $C_o$	3 mH / 95 nF
IIB/IIIC: Max. external inductivity $L_o$ / Max. external capacitance $C_o$	12 mH / 810 nF
IIA/II: Max. external inductivity $L_o$ / Max. external capacitance $C_o$	24 mH / 2750 nF

## Signaling

Status display	Green LED (supply voltage)
	LED yellow (switching state)
	Red LED (line errors)

## Dimensions

Dimensional drawing	
Width	12.5 mm
Height	112.5 mm
Depth	113.7 mm
Depth NS 35/7,5	114.5 mm (Snapped onto DIN rail NS 35/7,5 in accordance with EN 60715)

## Material specifications

Color	gray (RAL 7042)
Flammability rating according to UL 94	V0 (Housing)
Housing material	PA 6.6-FR

## Environmental and real-life conditions

### Ambient conditions

Degree of protection	IP20 (not assessed by UL)
Ambient temperature (operation)	-20 °C ... 60 °C (Any mounting position)
Ambient temperature (storage/transport)	-40 °C ... 80 °C
Permissible humidity (operation)	10 % ... 95 % (non-condensing)

### Altitude range (≤ 2000 m)

Altitude	≤ 2000 m (The technical data refers to altitudes ≤2000 m above mean sea level. For altitudes >2000 m above mean sea level, refer to the data sheet.)
Ambient temperature (operation)	-20 °C ... 60 °C
Rated insulation voltage	253 V AC (Power supply, input / output)
	125 V DC (Power supply, input / output)

### Altitude range (≤ 3000 m)

Height range	> 2000 m ... 3000 m
Ambient temperature (operation)	-20 °C ... 54 °C
Rated insulation voltage	190 V AC (Power supply, input / output)
	110 V DC (Power supply, input / output)

### Altitude range (≤ 4000 m)

Height range	> 3000 m ... 4000 m
Ambient temperature (operation)	-20 °C ... 48 °C
Rated insulation voltage	60 V AC/DC (Power supply, input / output)

### Altitude range (≤ 5000 m)

Height range	> 4000 m ... 5000 m
Ambient temperature (operation)	-20 °C ... 42 °C
Rated insulation voltage	60 V AC/DC (Power supply, input / output)

## Approvals

### CE

Certificate	CE-compliant
Note	and EN 61326

### ATEX

Identification	⊕ I (M1) [Ex ia Ma] I
	⊕ II (1) G [Ex ia Ga] IIC
	⊕ II (1) D [Ex ia Da] IIIC
	⊕ II 3(1) G Ex ec [ia Ga] IIC T4 Gc X
Certificate	IBExU 13 ATEX1045X

### UKCA Ex (UKEX)

Identification	⊕ II (1) G [Ex ia Ga] IIC
	⊕ II (1) D [Ex ia Da] IIIC

# MACX MCR-EX-SL-SD-23-48-LFD - Solenoid driver



2924867

<https://www.phoenixcontact.com/gb/products/2924867>

	Ⓜ II 3 (1) G Ex ec [ia Ga] IIC T4 Gc
	Ⓜ I (M1) [Ex ia Ma] I
Certificate	CML 22UKEX3530X

## IECEX

Identification	[Ex ia Ma] I
	[Ex ia Ga] IIC
	[Ex ia Da] IIIC
	Ex ec [ia Ga] IIC T4 Gc
Certificate	IECEX IBE 13.0014X

## CCC / China-Ex

Identification	[Ex ia Ga] IIC
	[Ex iaD]
	Ex nA [ia Ga] IIC T4 Gc
Certificate	NEPSI GYJ20.1315X

## UL, USA/Canada

Identification	UL 61010 Listed
Certificate	UL C.D.-No 83104549

## Shipbuilding approval

Certificate	DNV GL TAA000020C
-------------	-------------------

## Safety Integrity Level (SIL, IEC 61508)

Identification	3
----------------	---

## KC-s

Identification	[Ex ia] IIC/IIB
Certificate	17-KA4BO-0402X

## INMETRO

Identification	[Ex ia Ma] I
	[Ex ia Ga] IIC
	[Ex ia Da] IIIC
	Ex ec [ia Ga] IIC T4 Gc
Certificate	DNV 18.0145 X

## EAC Ex

Identification	Ex [Ex ia Ga] IIC
	Ex [Ex ia Da] IIIC
Certificate	RU C-DE.AB72.B.00093/19

## DNV GL data

Temperature	B
Humidity	B
Vibration	A
EMC	A

# MACX MCR-EX-SL-SD-23-48-LFD - Solenoid driver



2924867

<https://www.phoenixcontact.com/gb/products/2924867>

Enclosure	Required protection according to the Rules shall be provided upon installation on board
-----------	---

## EMC data

Noise immunity	EN 61000-6-2
Note	When being exposed to interference, there may be minimal deviations.
Electromagnetic compatibility	Conformance with EMC directive
Noise emission	EN 61000-6-4

## Standards and regulations

### GB Standard

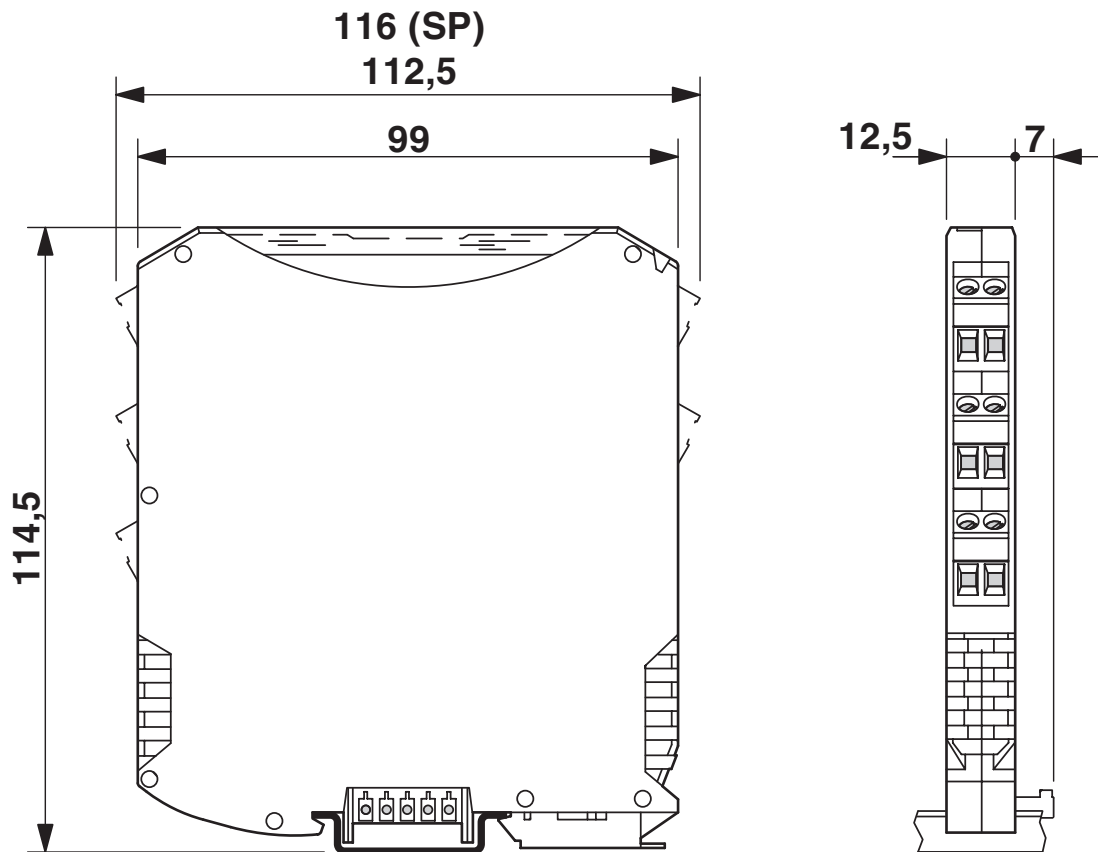
Standards/regulations	GB 3836.1
	GB 3836.4
	GB 3836.8
	GB 3626.20
	GB 12476.1
	GB 12476.4

## Mounting

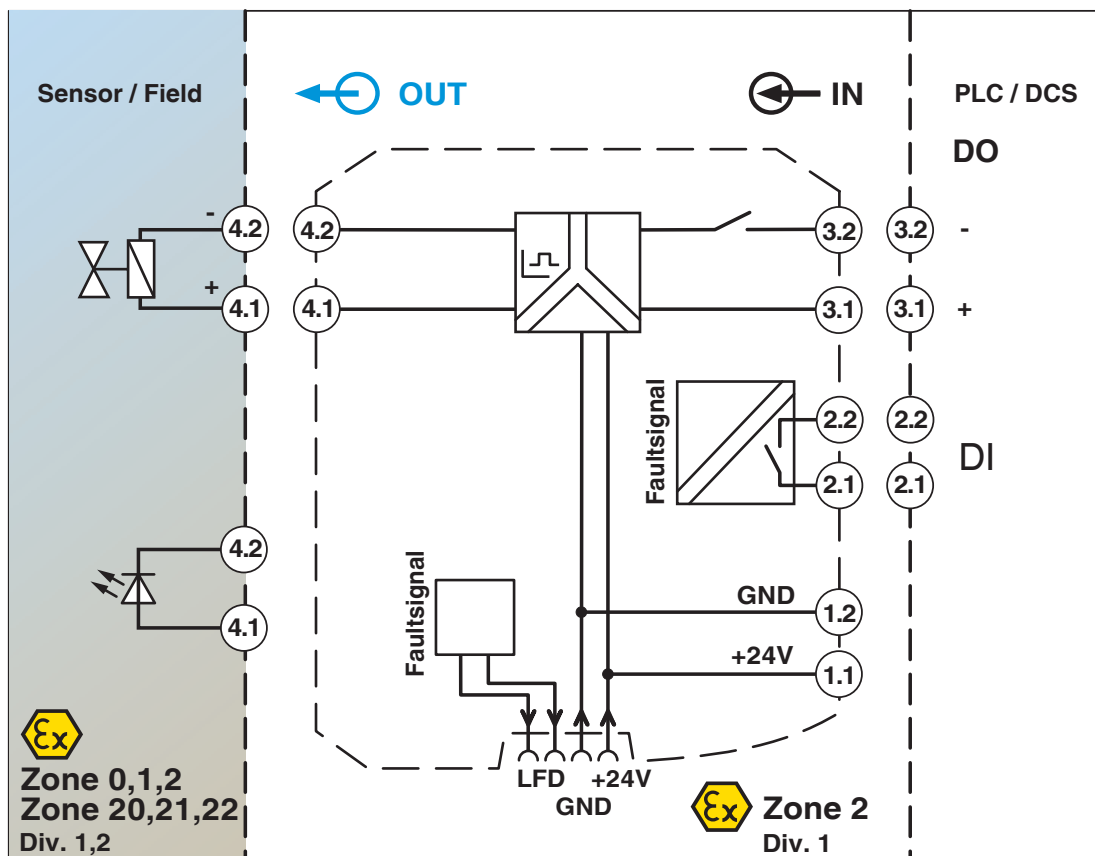
Mounting type	DIN rail mounting
---------------	-------------------

Drawings

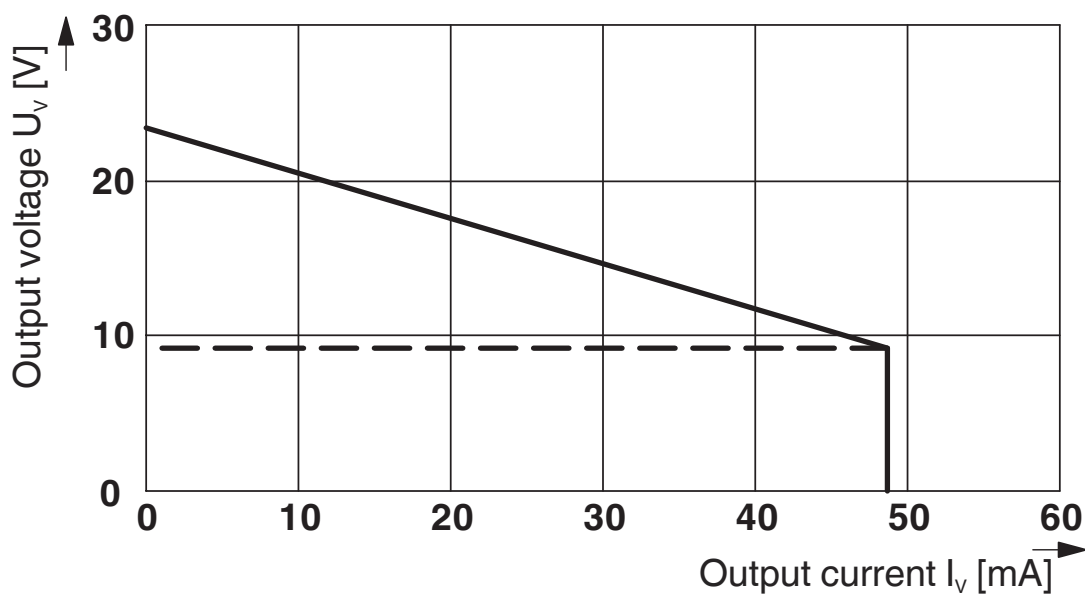
Dimensional drawing



Block diagram



Diagram



# MACX MCR-EX-SL-SD-23-48-LFD - Solenoid driver



2924867

<https://www.phoenixcontact.com/gb/products/2924867>

Phoenix Contact 2024 © - all rights reserved

<https://www.phoenixcontact.com>

PHOENIX CONTACT Ltd  
Halesfield 13, Telford  
Shropshire, TF7 4PG  
01952 681700  
[info@phoenixcontact.co.uk](mailto:info@phoenixcontact.co.uk)