



LED integrated monoblock pilot lights steady light LPML

Product designation

Product type designation

General characteristics

| | |
|--------------------------|---|
| Colour | Green |
| Type of positions | Monoblock pilot light |
| Material | Polyamide |
| IEC degree of protection | IP66, IP67 and IP69K on front; IP20 on rear |

Electrical characteristics

| | | |
|---------------------|----|------------------------|
| Rated frequency | Hz | 50-60 |
| Supply voltage (AC) | V | 230 (-15% ... +10% Ue) |

Operations

| | | |
|-----------------|-------|--------|
| Electrical life | hours | >30000 |
|-----------------|-------|--------|

Mechanical features

| | | |
|-------------------------------------|-------------------|-----|
| Tightening torque for terminals max | Nm | 0.8 |
| Terminals screw | Screw termination | |

Conductor section

AWG/kcmil conductor section

| | |
|-----|----|
| min | 18 |
| max | 16 |

IEC

| | | |
|-----|-----------------|-----|
| max | mm ² | 2.5 |
|-----|-----------------|-----|

| | |
|--------|-------------------|
| Fixing | Ring fixing Ø22mm |
|--------|-------------------|

| | | |
|--------|---|----|
| Weight | g | 24 |
|--------|---|----|

UL technical data

| | |
|-------------------------|---------------------------------------|
| UL degree of protection | Type1, 2, 3R, 4, 4X, 12, 12K on front |
|-------------------------|---------------------------------------|

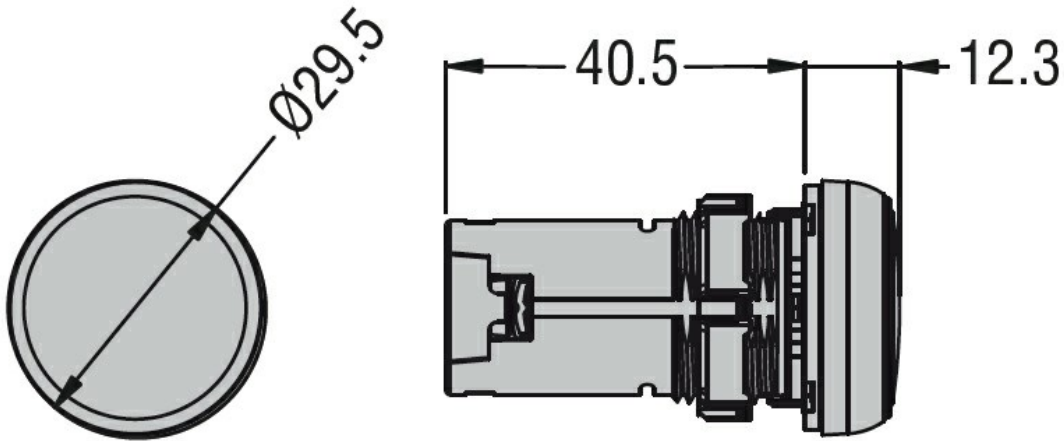
Ambient conditions

Temperature

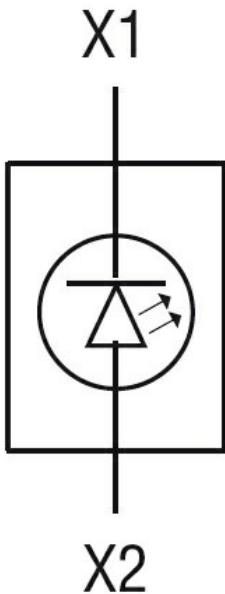
Operating temperature

| | | |
|-----|----|-----|
| min | °C | -25 |
| max | °C | +70 |

Dimensions [mm (in)]



Wiring diagrams



Certifications and compliance

Compliance

CSA C22.2 n° 14
IEC/EN/BS 60947-1
IEC/EN/BS 60947-5-1
UL508

Certificates

cULus
EAC

ETIM classification

ETIM 8.0

EC000272 -
Indicator light
complete