



Flush mount enclosure IP65 (4X) for SM1P SM1Z
Flush mount enclosures IP65 for SM1P (UL type 4X) SM1P...

Product designation

Product type designation

Description

Accessories for

Mechanical features

Weight g 205

Operations

Mechanical life cycles 100000

Ambient conditions

Temperature

Operating temperature

	min	°C	-25
	max	°C	+60

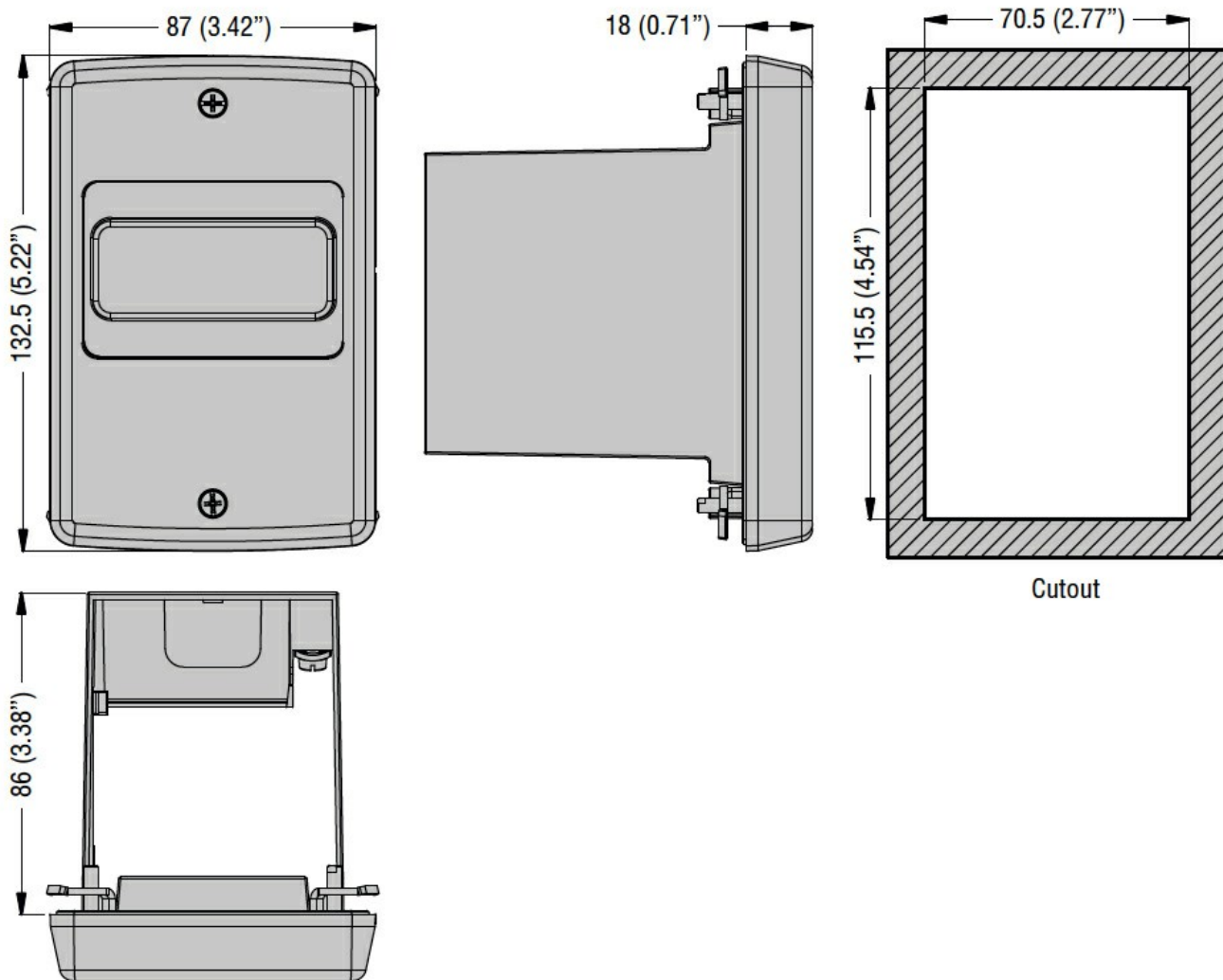
Storage temperature

	min	°C	-50
	max	°C	+80

IEC degree of protection IP65

UL degree of protection 4X (front)

Dimensions [mm (in)]



Certifications and compliance

Compliance

CSA C22.2 n° 14
 IEC/EN 60947-1
 IEC/EN 60947-5-1
 UL508

Certificates

cULus
 EAC

ETIM classification