



Product designation

Product type designation

Description

Accessories for

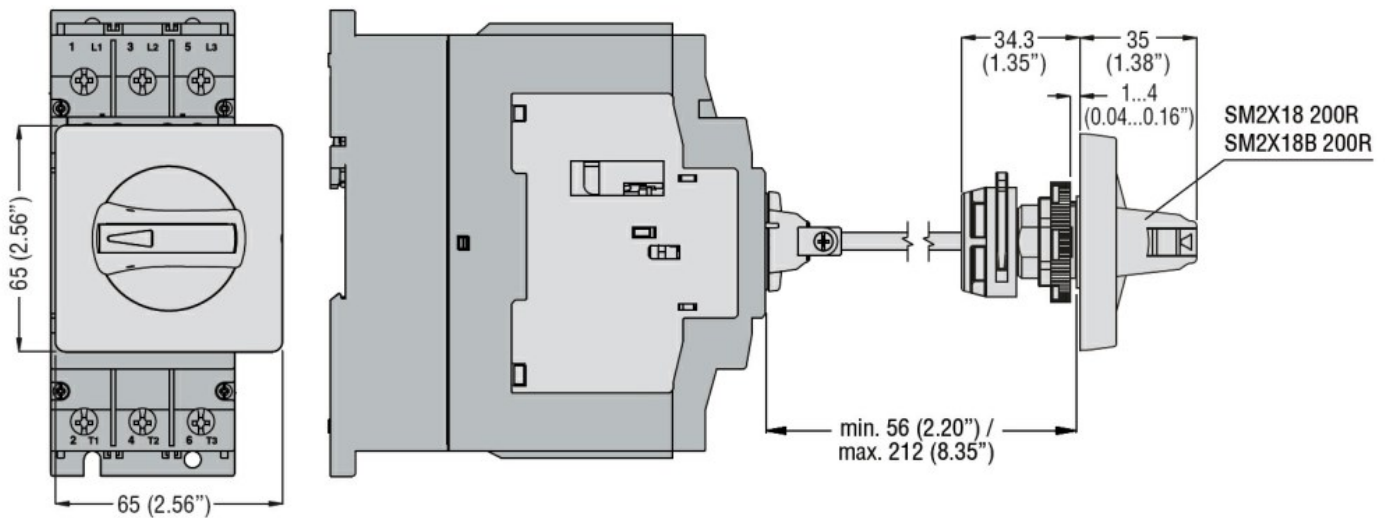
Mechanical features

Operating position

Padlockable
IP65 (4X) door
coupling handle
for SM2R... and
SM3R...
SM2X
Padlockable
IP65 door
coupling handle
for SM2R... and
SM3R...
SM2R..., SM3R...

	normal	Other
Weight	g	115

Dimensions [mm (in)]



Certifications and compliance

Compliance

CSA C22.2 n° 14

IEC/EN 60947-1

IEC/EN 60947-5-1

UL508

Certificates

cULus

EAC

ETIM classification