



Product designation Power contactor  
Product type designation BF25

**Contact characteristics**

Number of poles	Nr.	3
Rated insulation voltage $U_i$ IEC/EN	V	690
Rated impulse withstand voltage $U_{imp}$	kV	6
Operational frequency	min	Hz 25
	max	Hz 400
IEC Conventional free air thermal current $I_{th}$	A	32
Operational current $I_e$	AC-1 ( $\leq 40^\circ\text{C}$ )	A 32
	AC-1 ( $\leq 55^\circ\text{C}$ )	A 26
	AC-1 ( $\leq 70^\circ\text{C}$ )	A 23
	AC-3 ( $\leq 440\text{V} \leq 55^\circ\text{C}$ )	A 25
	AC-4 (400V)	A 10
Rated operational power AC-3 ( $T \leq 55^\circ\text{C}$ )	230V	kW 7
	400V	kW 12.5
	415V	kW 13.4
	440V	kW 13.4
	500V	kW 15
	690V	kW 11
Rated operational power AC-1 ( $T \leq 40^\circ\text{C}$ )	230V	kW 12
	400V	kW 21
	500V	kW 26
	690V	kW 36
IEC max current $I_e$ in DC1 with $L/R \leq 1\text{ms}$ with 1 poles in series	$\leq 24\text{V}$	A 20
	48V	A 18
	75V	A 18
	110V	A 6
	220V	A –
IEC max current $I_e$ in DC1 with $L/R \leq 1\text{ms}$ with 2 poles in series	$\leq 24\text{V}$	A 23
	48V	A 23
	75V	A 23
	110V	A 16
	220V	A 1
IEC max current $I_e$ in DC1 with $L/R \leq 1\text{ms}$ with 3 poles in series	$\leq 24\text{V}$	A 23
	48V	A 23
	75V	A 23
	110V	A 18

	220V	A	12
IEC max current $I_e$ in DC1 with $L/R \leq 1\text{ms}$ with 4 poles in series	$\leq 24\text{V}$	A	–
	48V	A	–
	75V	A	–
	110V	A	–
	220V	A	–
IEC max current $I_e$ in DC3-DC5 with $L/R \leq 15\text{ms}$ with 1 poles in series	$\leq 24\text{V}$	A	15
	48V	A	13
	75V	A	13
	110V	A	2
	220V	A	–
IEC max current $I_e$ in DC3-DC5 with $L/R \leq 15\text{ms}$ with 2 poles in series	$\leq 24\text{V}$	A	18
	48V	A	18
	75V	A	16
	110V	A	10
	220V	A	2
IEC max current $I_e$ in DC3-DC5 with $L/R \leq 15\text{ms}$ with 3 poles in series	$\leq 24\text{V}$	A	22
	48V	A	22
	75V	A	18
	110V	A	15
	220V	A	8
IEC max current $I_e$ in DC3-DC5 with $L/R \leq 15\text{ms}$ with 4 poles in series	$\leq 24\text{V}$	A	–
	48V	A	–
	75V	A	–
	110V	A	–
	220V	A	–
Short-time allowable current for 10s (IEC/EN60947-1)		A	200
Protection fuse	gG (IEC)	A	50
	aM (IEC)	A	25
Making capacity (RMS value)		A	250
Breaking capacity at voltage	440V	A	200
	500V	A	184
	690V	A	102
Resistance per pole (average value)		m $\Omega$	2.5
Power dissipation per pole (average value)	I <sub>th</sub>	W	2.6
	AC3	W	1.6
Tightening torque for terminals	min	Nm	1.5
	max	Nm	1.8
	min	I <sub>bin</sub>	1.1
	max	I <sub>bin</sub>	1.5
Tightening torque for coil terminal	min	Nm	0.8
	max	Nm	1
	min	I <sub>bin</sub>	0.8

		max	I <sub>bin</sub>	0.74
Max number of wires simultaneously connectable			Nr.	2
Conductor section	AWG/Kcmil	max		10
Flexible w/o lug conductor section		min	mm <sup>2</sup>	1
		max	mm <sup>2</sup>	6
Flexible c/w lug conductor section		min	mm <sup>2</sup>	1
		max	mm <sup>2</sup>	4
Flexible with insulated spade lug conductor section		min	mm <sup>2</sup>	1
		max	mm <sup>2</sup>	4
Power terminal protection according to IEC/EN 60529				IP20 when properly wired

**Mechanical features**

Operating position		normal allowable		Vertical plan ±30°
Fixing				Screw / DIN rail 35mm
Weight			g	502
Conductor section	AWG/kcmil conductor section	max		10

**Auxiliary contact characteristics**

Thermal current I <sub>th</sub>		A		10
IEC/EN 60947-5-1 designation				A600 - P600
Operating current AC15		230V	A	3
		400V	A	1.9
		500V	A	1.4
Operating current DC12		110V	A	5.7
Operating current DC13		24V	A	5.7
		48V	A	2.9
		60V	A	2.3
		110V	A	1.25
		125V	A	1.1
		220V	A	0.55
		600V	A	0.2

**Operations**

Mechanical life		cycles		20000000
Electrical life		cycles		1200000

**Safety related data**

Performance level B10d according to EN/ISO 13489-1		rated load	cycles	1200000
		mechanical load	cycles	20000000
Mirror contacts according to IEC/EN 60947-4-1				yes
EMC compatibility				yes

**DC coil operating**

DC rated control voltage		V	24
DC operating voltage			
pick-up	min	%Us	80
	max	%Us	110
drop-out	min	%Us	10
	max	%Us	40

Average coil consumption $\leq 20^{\circ}\text{C}$	in-rush	W	2.4
	holding	W	2.4

**Max cycles frequency**

Mechanical operation	cycles/h	3600
----------------------	----------	------

**Operating times**

Average time for Us control				
in AC				
	Closing NO	min	ms	8
		max	ms	24
	Opening NO	min	ms	10
		max	ms	20
	Closing NC	min	ms	14
		max	ms	28
	Opening NC	min	ms	7
		max	ms	18
in DC				
	Closing NO	min	ms	75
		max	ms	91
	Opening NO	min	ms	15
		max	ms	19

**UL technical data**

Full-load current (FLA) for three-phase AC motor	at 480V	A	21
	at 600V	A	17

Yielded mechanical performance			
for single-phase AC motor	110/120V	HP	2
	230V	HP	3
for three-phase AC motor	200/208V	HP	7.5
	220/230V	HP	7.5
	460/480V	HP	15
	575/600V	HP	15

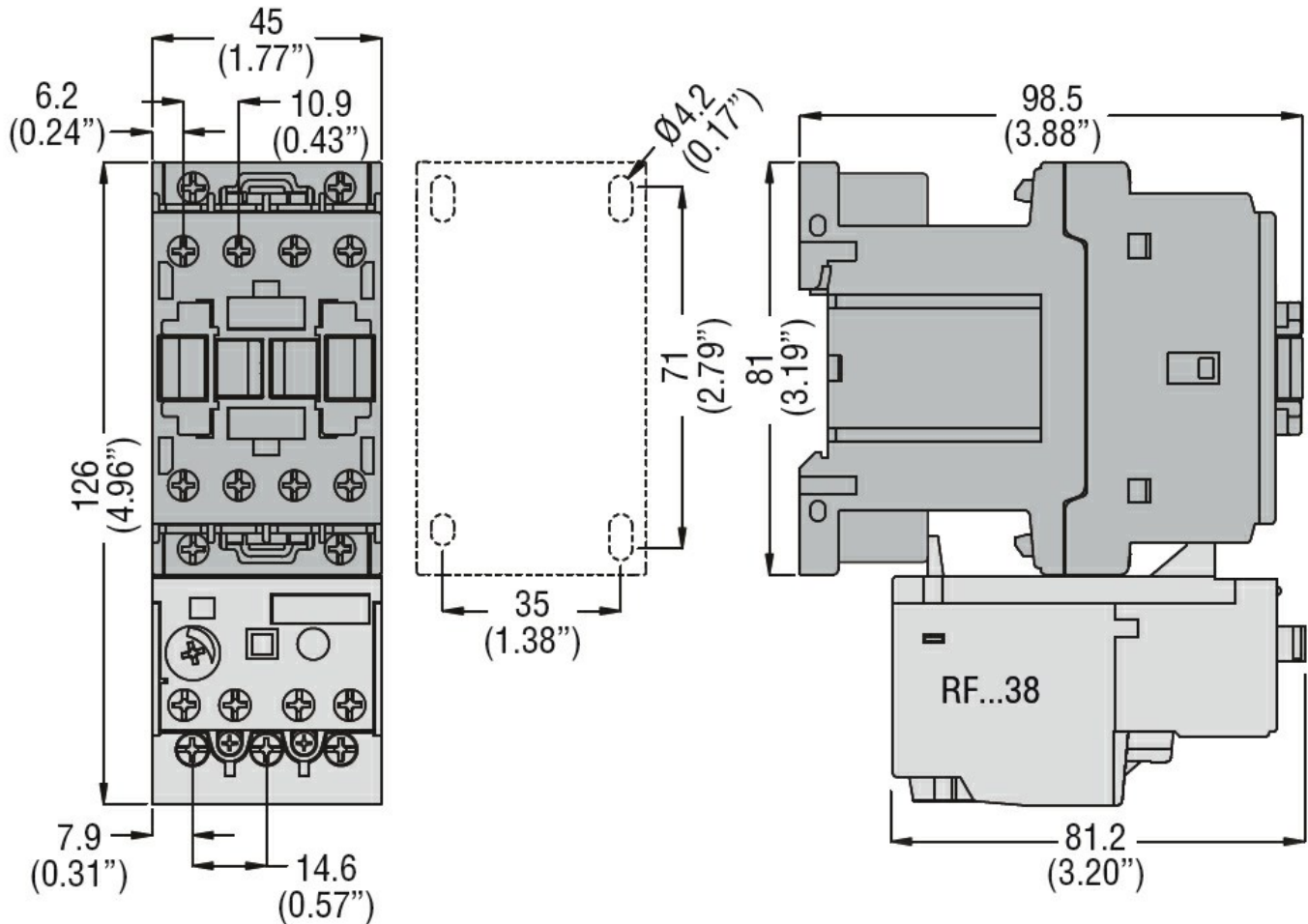
General USE			
Contactor	AC current	A	32
Auxiliary contacts	AC voltage	V	600
	AC current	A	10

	DC voltage	V	250
	DC current	A	1
Short-circuit protection fuse, 600V			
High fault			
	Short circuit current	kA	100
	Fuse rating	A	60
	Fuse class		J
Standard fault			
	Short circuit current	kA	5
	Fuse rating	A	100
Contact rating of auxiliary contacts according to UL			A600 - P600
<b>Ambient conditions</b>			
Temperature			
Operating temperature			
	min	°C	-50
	max	°C	70
Storage temperature			
	min	°C	-60
	max	°C	80
Max altitude			m 3000

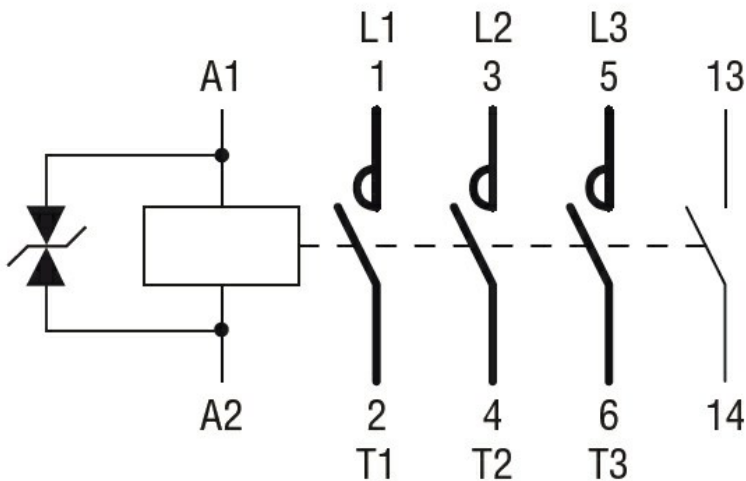
**Resistance & Protection**

Pollution degree	3
------------------	---

**Dimensions [mm (in)]**



**Wiring diagrams**



**Certifications and compliance**

Compliance

CSA C22.2 n° 60947-1

CSA C22.2 n° 60947-4-1

IEC/EN/BS 60947-1

IEC/EN/BS 60947-4-1

UL 60947-1

UL 60947-4-1

Certificates

CCC

cULus

EAC

**ETIM classification**

ETIM 8.0

EC000066 -  
 Power contactor,  
 AC switching