



Product designation
Product type designation

Power contactor
BF115

Contact characteristics

Number of poles	Nr.	3
Rated insulation voltage U_i IEC/EN	V	1000
Rated impulse withstand voltage U_{imp}	kV	8
Operational frequency	min	Hz 25
	max	Hz 400
IEC Conventional free air thermal current I_{th}	A	160
Operational current I_e	AC-1 ($\leq 40^\circ\text{C}$)	A 160
	AC-1 ($\leq 55^\circ\text{C}$)	A 130
	AC-1 ($\leq 70^\circ\text{C}$)	A 115
	AC-3 ($\leq 440\text{V} \leq 55^\circ\text{C}$)	A 115
	AC-4 (400V)	A 54
Rated operational power AC-3 ($T \leq 55^\circ\text{C}$)	230V	kW 37
	400V	kW 55
	415V	kW 55
	440V	kW 55
	500V	kW 75
	690V	kW 110
	1000V	kW 55
IEC max current I_e in DC1 with $L/R \leq 1\text{ms}$ with 1 poles in series	$\leq 24\text{V}$	A 160
	48V	A 160
	75V	A 120
	110V	A 10
	220V	A -
	IEC max current I_e in DC1 with $L/R \leq 1\text{ms}$ with 2 poles in series	$\leq 24\text{V}$
48V		A 160
75V		A 160
110V		A 130
220V		A 14
IEC max current I_e in DC1 with $L/R \leq 1\text{ms}$ with 3 poles in series		$\leq 24\text{V}$
	48V	A 160
	75V	A 160
	110V	A 140
	220V	A 145
	IEC max current I_e in DC1 with $L/R \leq 1\text{ms}$ with 4 poles in series	$\leq 24\text{V}$
48V		A 160

	75V	A	160
	110V	A	160
	220V	A	160
<hr/>			
IEC max current I _e in DC3-DC5 with L/R ≤ 15ms with 1 poles in series			
	≤24V	A	160
	48V	A	50
	75V	A	40
	110V	A	6
	220V	A	–
<hr/>			
IEC max current I _e in DC3-DC5 with L/R ≤ 15ms with 2 poles in series			
	≤24V	A	160
	48V	A	72
	75V	A	65
	110V	A	65
	220V	A	7
<hr/>			
IEC max current I _e in DC3-DC5 with L/R ≤ 15ms with 3 poles in series			
	≤24V	A	160
	48V	A	150
	75V	A	100
	110V	A	100
	220V	A	92
<hr/>			
IEC max current I _e in DC3-DC5 with L/R ≤ 15ms with 4 poles in series			
	≤24V	A	160
	48V	A	120
	75V	A	120
	110V	A	125
	220V	A	115
<hr/>			
Short-time allowable current for 10s (IEC/EN60947-1)		A	920
<hr/>			
Protection fuse			
	gG (IEC)	A	200
	aM (IEC)	A	125
<hr/>			
Making capacity (RMS value)		A	1500
<hr/>			
Breaking capacity at voltage			
	440V	A	1200
	500V	A	850
	690V	A	905
<hr/>			
Resistance per pole (average value)		mΩ	0.45
<hr/>			
Power dissipation per pole (average value)			
	I _{th}	W	11.5
	AC3	W	6.0
<hr/>			
Tightening torque for terminals			
	min	Nm	6
	max	Nm	7
	min	lbin	4.4
	max	lbin	5.2
<hr/>			
Tightening torque for coil terminal			
	min	Nm	0.8
	max	Nm	1
	min	lbin	0.59
	max	lbin	0.74
<hr/>			
Conductor section			
	AWG/Kcmil		
	max		2/0

Flexible w/o lug conductor section	min	mm ²	1.5
	max	mm ²	70
Flexible c/w lug conductor section	min	mm ²	1.5
	max	mm ²	70
Power terminal protection according to IEC/EN 60529			IP20 front
Mechanical features			
Operating position	normal allowable		Vertical plan ±30°
Fixing			Screw / DIN rail 35mm
Weight		g	2060
Conductor section	AWG/kcmil conductor section		
	max		2/0
Operations			
Mechanical life		cycles	15000000
Electrical life		cycles	1200000
AC coil operating			
Rated AC voltage at 50/60Hz, 60Hz	min	V	20
	max	V	48
AC operating voltage	of 50/60Hz coil powered at 50Hz		
	pick-up		
	min	%Us	85 Us min
	max	%Us	110
	drop-out		
	max	%Us	≤70 Us min
	of 50/60Hz coil powered at 60Hz		
	pick-up		
	min	%Us	85 Us min
	max	%Us	110 Us max
	drop-out		
	max	%Us	≤70 Us min
AC average coil consumption at 20°C	of 50/60Hz coil powered at 50Hz		
	in-rush	VA	70...175
	holding	VA	1.7...3.5
	of 50/60Hz coil powered at 60Hz		
	in-rush	VA	70...175
	holding	VA	1.7...3.5
	of 60Hz coil powered at 60Hz		
	in-rush	VA	70...175
	holding	VA	1.7...3.5
Dissipation at holding ≤20°C 50Hz		W	1.3...1,5
DC coil operating			
DC rated control voltage	min	V	20
	max	V	48
DC operating voltage			

pick-up	min	%Us	80 Us min
	max	%Us	110 Us max
drop-out	max	%Us	≤70 Us min

Average coil consumption ≤20°C

in-rush	W	70...80
holding	W	1.3...1.5

Max cycles frequency

Mechanical operation	cycles/h	1500
----------------------	----------	------

Operating times

Average time for Us control

in AC

Closing NO

min	ms	45
max	ms	90

Opening NO

min	ms	24
max	ms	60

UL technical data

Yielded mechanical performance

for three-phase AC motor

200/208V	HP	40
220/230V	HP	40
460/480V	HP	75
575/600V	HP	100

General USE

Contactor

AC current	A	165
------------	---	-----

Short-circuit protection fuse, 600V

High fault

Short circuit current	kA	100
Fuse rating	A	200
Fuse class		J

Standard fault

Short circuit current	kA	10
Fuse rating	A	250
Fuse class		RK5

Ambient conditions

Temperature

Operating temperature

min	°C	-50
max	°C	70

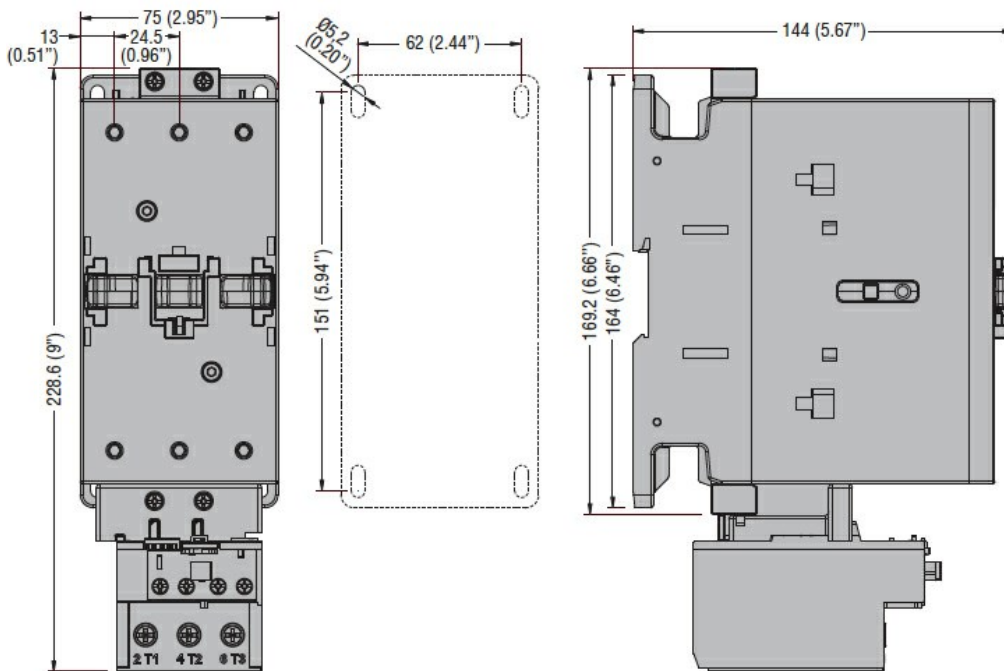
Storage temperature

min	°C	-60
max	°C	+80

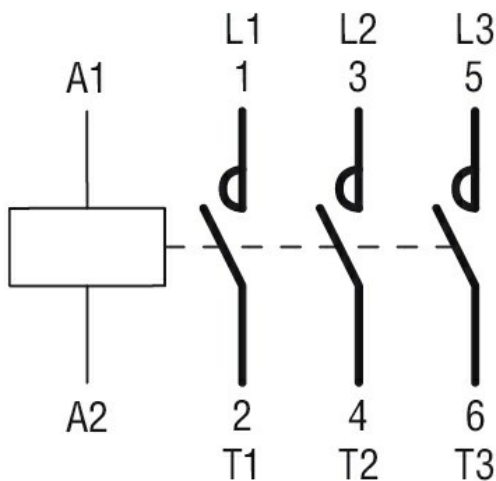
Max altitude

m	3000
---	------

Dimensions [mm (in)]



Wiring diagrams



Certifications and compliance

Compliance

CSA C22.2 n° 60947-1
CSA C22.2 n° 60947-4-1
IEC/EN/BS 60947-1
IEC/EN/BS 60947-4-1
UL 60947-1
UL 60947-4-1

Certificates

CCC
cULus

ETIM classification

ETIM 8.0

EC000066 -
Power contactor,
AC switching