



Product designation				Power contactor
Product type designation				BF38
Contact characteristics				
Number of poles	Nr.			3
Rated insulation voltage U_i IEC/EN	V			690
Rated impulse withstand voltage U_{imp}	kV			6
Operational frequency	min	Hz		25
	max	Hz		400
IEC Conventional free air thermal current I_{th}	A			56
Operational current I_e	AC-1 ($\leq 40^\circ\text{C}$)	A		56
	AC-1 ($\leq 40^\circ\text{C}$) with 16mm ² wire and fork end lug	A		60
	AC-1 ($\leq 55^\circ\text{C}$)	A		45
	AC-1 ($\leq 55^\circ\text{C}$) with 16mm ² wire and fork end lug	A		48
	AC-1 ($\leq 70^\circ\text{C}$)	A		40
	AC-1 ($\leq 70^\circ\text{C}$) with 16mm ² wire and fork end lug	A		42
	AC-3 ($\leq 440\text{V } \leq 55^\circ\text{C}$)	A		38
	AC-4 (400V)	A		15.5
Rated operational power AC-3 ($T \leq 55^\circ\text{C}$)	230V	kW		11
	400V	kW		18.5
	415V	kW		18.5
	440V	kW		18.5
	500V	kW		20
	690V	kW		22
Rated operational power AC-1 ($T \leq 40^\circ\text{C}$)	230V	kW		21
	400V	kW		36
	500V	kW		45
	690V	kW		62
IEC max current I_e in DC1 with $L/R \leq 1\text{ms}$ with 1 poles in series	$\leq 24\text{V}$	A		35
	48V	A		30
	75V	A		23
	110V	A		8
	220V	A		–
	IEC max current I_e in DC1 with $L/R \leq 1\text{ms}$ with 2 poles in series	$\leq 24\text{V}$	A	
48V		A		34
75V		A		29
110V		A		32
220V		A		4
IEC max current I_e in DC1 with $L/R \leq 1\text{ms}$ with 3 poles in series		$\leq 24\text{V}$	A	

	48V	A	34
	75V	A	33
	110V	A	34
	220V	A	30
<hr/>			
IEC max current I _e in DC1 with L/R ≤ 1ms with 4 poles in series			
	≤24V	A	36
	48V	A	34
	75V	A	33
	110V	A	34
	220V	A	38
<hr/>			
IEC max current I _e in DC3-DC5 with L/R ≤ 15ms with 1 poles in series			
	≤24V	A	24
	48V	A	20
	75V	A	17
	110V	A	2,5
	220V	A	–
<hr/>			
IEC max current I _e in DC3-DC5 with L/R ≤ 15ms with 2 poles in series			
	≤24V	A	28
	48V	A	25
	75V	A	22
	110V	A	18
	220V	A	3
<hr/>			
IEC max current I _e in DC3-DC5 with L/R ≤ 15ms with 3 poles in series			
	≤24V	A	32
	48V	A	28
	75V	A	28
	110V	A	23
	220V	A	25
<hr/>			
IEC max current I _e in DC3-DC5 with L/R ≤ 15ms with 4 poles in series			
	≤24V	A	32
	48V	A	28
	75V	A	28
	110V	A	23
	220V	A	15
<hr/>			
Short-time allowable current for 10s (IEC/EN60947-1)		A	320
<hr/>			
Protection fuse			
	gG (IEC)	A	63
	aM (IEC)	A	40
<hr/>			
Making capacity (RMS value)		A	380
<hr/>			
Breaking capacity at voltage			
	440V	A	304
	500V	A	240
	690V	A	192
<hr/>			
Resistance per pole (average value)		mΩ	2
<hr/>			
Power dissipation per pole (average value)			
	I _{th}	W	6
	AC3	W	2.9
<hr/>			
Tightening torque for terminals			
	min	Nm	2.5
	max	Nm	3
	min	I _{bin}	1.8
	max	I _{bin}	2.2
<hr/>			
Tightening torque for coil terminal			

	min	Nm	0.8
	max	Nm	1
	min	Ibin	0.8
	max	Ibin	0.74
Max number of wires simultaneously connectable		Nr.	2
Conductor section	AWG/Kcmil		
	max		6
Flexible w/o lug conductor section	min	mm ²	2.5
	max	mm ²	16
Flexible c/w lug conductor section	min	mm ²	1
	max	mm ²	10
Flexible with insulated spade lug conductor section	min	mm ²	1
	max	mm ²	10
Power terminal protection according to IEC/EN 60529	IP20 when properly wired		
Mechanical features			
Operating position	normal allowable	Vertical plan ±30°	
Fixing	Screw / DIN rail 35mm		
Weight		g	423
Conductor section	AWG/kcmil conductor section		
	max		6
Operations			
Mechanical life		cycles	20000000
Electrical life		cycles	1400000
Safety related data			
Performance level B10d according to EN/ISO 13489-1	rated load mechanical load	cycles	1400000
		cycles	20000000
Mirror contacts according to IEC/EN 60947-4-1	yes		
EMC compatibility	yes		
AC coil operating			
Rated AC voltage at 50/60Hz		V	110
AC operating voltage	of 50/60Hz coil powered at 50Hz		
	pick-up		
	min	%Us	80
	max	%Us	110
	drop-out		
	min	%Us	20
	max	%Us	55
	of 50/60Hz coil powered at 60Hz		
	pick-up		
	min	%Us	85
	max	%Us	110
	drop-out		
	min	%Us	20

		max	%Us	55
AC average coil consumption at 20°C				
of 50/60Hz coil powered at 50Hz				
	in-rush	VA		75
	holding	VA		9
of 50/60Hz coil powered at 60Hz				
	in-rush	VA		70
	holding	VA		6.5
of 60Hz coil powered at 60Hz				
	in-rush	VA		75
	holding	VA		9
Dissipation at holding ≤20°C 50Hz			W	2.5
Max cycles frequency				
Mechanical operation			cycles/h	3600
Operating times				
Average time for Us control				
in AC				
	Closing NO			
		min	ms	8
		max	ms	24
	Opening NO			
		min	ms	5
		max	ms	15
	Closing NC			
		min	ms	9
		max	ms	20
	Opening NC			
		min	ms	9
		max	ms	17
UL technical data				
Full-load current (FLA) for three-phase AC motor				
		at 480V	A	40
		at 600V	A	32
Yielded mechanical performance				
for single-phase AC motor				
		110/120V	HP	3
		230V	HP	7.5
for three-phase AC motor				
		200/208V	HP	10
		220/230V	HP	15
		460/480V	HP	30
		575/600V	HP	30
General USE				
Contactor				
		AC current	A	55
Short-circuit protection fuse, 600V				
High fault				
	Short circuit current	kA		100
	Fuse rating	A		100
	Fuse class			J
Standard fault				
	Short circuit current	kA		5
	Fuse rating	A		150
Ambient conditions				

Temperature

Operating temperature

min	°C	-50
max	°C	70

Storage temperature

min	°C	-60
max	°C	80

Max altitude

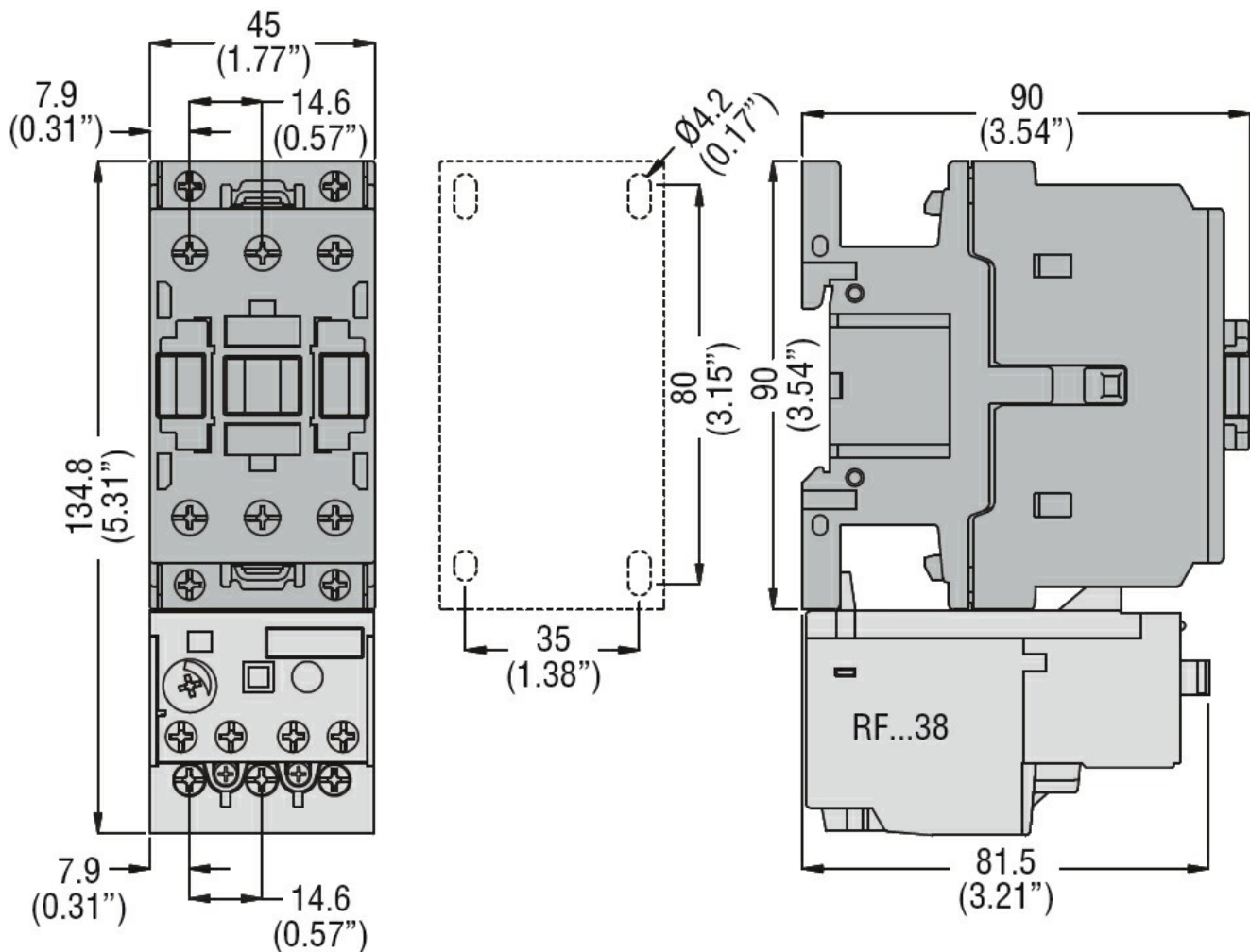
m	3000
---	------

Resistance & Protection

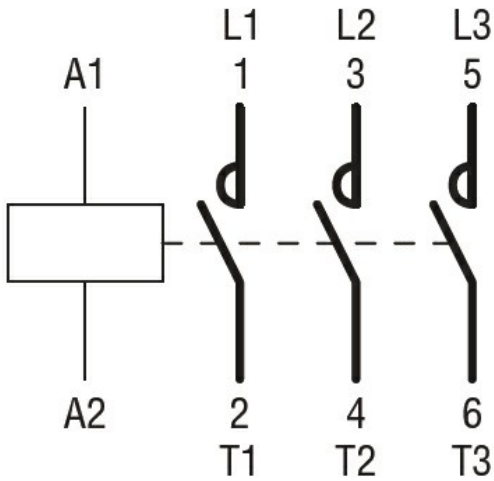
Pollution degree

3

Dimensions [mm (in)]



Wiring diagrams



Certifications and compliance

Compliance

CSA C22.2 n° 60947-1

CSA C22.2 n° 60947-4-1

IEC/EN/BS 60947-1

IEC/EN/BS 60947-4-1

UL 60947-1

UL 60947-4-1

Certificates

CCC

cULus

EAC

ETIM classification

ETIM 8.0

EC000066 -
 Power contactor,
 AC switching