



Product designation  
Product type designation

Power contactor  
BF95

**Contact characteristics**

Number of poles	Nr.	3
Rated insulation voltage U <sub>i</sub> IEC/EN	V	1000
Rated impulse withstand voltage U <sub>imp</sub>	kV	8
Operational frequency	min	Hz 25
	max	Hz 400
IEC Conventional free air thermal current I <sub>th</sub>	A	140
Operational current I <sub>e</sub>	AC-1 (≤40°C)	A 140
	AC-1 (≤55°C)	A 115
	AC-1 (≤70°C)	A 100
	AC-3 (≤440V ≤55°C)	A 95
	AC-4 (400V)	A 45
Rated operational power AC-3 (T≤55°C)	230V	kW 30
	400V	kW 55
	415V	kW 55
	440V	kW 55
	500V	kW 75
	690V	kW 90
	1000V	kW 45
IEC max current I <sub>e</sub> in DC1 with L/R ≤ 1ms with 1 poles in series	≤24V	A 140
	48V	A 140
	75V	A 100
	110V	A 10
	220V	A –
	–	–
IEC max current I <sub>e</sub> in DC1 with L/R ≤ 1ms with 2 poles in series	≤24V	A 140
	48V	A 140
	75V	A 140
	110V	A 110
	220V	A 12
	–	–
IEC max current I <sub>e</sub> in DC1 with L/R ≤ 1ms with 3 poles in series	≤24V	A 140
	48V	A 140
	75V	A 155
	110V	A 120
	220V	A 125
	–	–
IEC max current I <sub>e</sub> in DC1 with L/R ≤ 1ms with 4 poles in series	≤24V	A 140
	48V	A 140

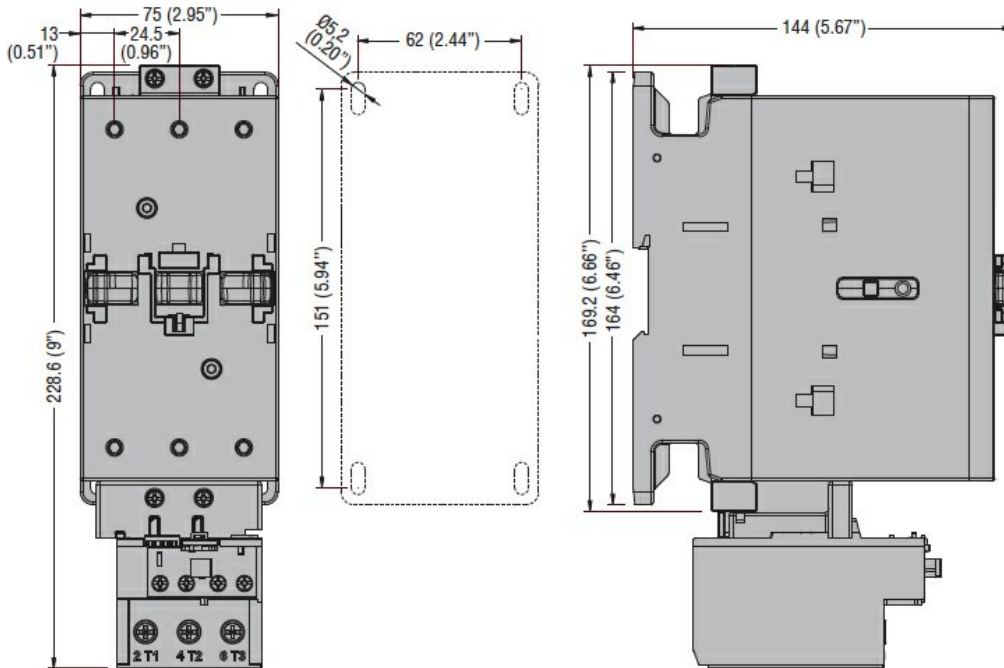
	75V	A	155
	110V	A	140
	220V	A	140
<hr/>			
IEC max current I <sub>e</sub> in DC3-DC5 with L/R ≤ 15ms with 1 poles in series	≤24V	A	140
	48V	A	44
	75V	A	36
	110V	A	6
	220V	A	–
<hr/>			
IEC max current I <sub>e</sub> in DC3-DC5 with L/R ≤ 15ms with 2 poles in series	≤24V	A	140
	48V	A	63
	75V	A	60
	110V	A	55
	220V	A	7
<hr/>			
IEC max current I <sub>e</sub> in DC3-DC5 with L/R ≤ 15ms with 3 poles in series	≤24V	A	140
	48V	A	115
	75V	A	90
	110V	A	85
	220V	A	76
<hr/>			
IEC max current I <sub>e</sub> in DC3-DC5 with L/R ≤ 15ms with 4 poles in series	≤24V	A	140
	48V	A	110
	75V	A	110
	110V	A	105
	220V	A	95
<hr/>			
Short-time allowable current for 10s (IEC/EN60947-1)		A	760
<hr/>			
Protection fuse	gG (IEC)	A	160
	aM (IEC)	A	100
<hr/>			
Making capacity (RMS value)		A	1200
<hr/>			
Breaking capacity at voltage	440V	A	1100
	500V	A	775
	690V	A	745
<hr/>			
Resistance per pole (average value)		mΩ	0.45
<hr/>			
Power dissipation per pole (average value)	I <sub>th</sub>	W	8.8
	AC3	W	4.1
<hr/>			
Tightening torque for terminals	min	Nm	6
	max	Nm	7
	min	lbin	4.4
	max	lbin	5.2
<hr/>			
Tightening torque for coil terminal	min	Nm	0.8
	max	Nm	1
	min	lbin	0.59
	max	lbin	0.74
<hr/>			
Conductor section	AWG/Kcmil		
	max		2/0

Flexible w/o lug conductor section	min	mm <sup>2</sup>	1.5
	max	mm <sup>2</sup>	70
Flexible c/w lug conductor section	min	mm <sup>2</sup>	1.5
	max	mm <sup>2</sup>	70
Power terminal protection according to IEC/EN 60529			IP20 front
<b>Mechanical features</b>			
Operating position	normal allowable		Vertical plan ±30°
Fixing			Screw / DIN rail 35mm
Weight		g	2060
Conductor section	AWG/kcmil conductor section		
	max		2/0
<b>Auxiliary contact characteristics</b>			
Thermal current I <sub>th</sub>		A	140
<b>Operations</b>			
Mechanical life		cycles	15000000
Electrical life		cycles	1400000
<b>AC coil operating</b>			
Rated AC voltage at 50/60Hz, 60Hz	min	V	20
	max	V	48
AC operating voltage	of 50/60Hz coil powered at 50Hz		
	pick-up		
	min	%Us	85 Us min
	max	%Us	110 Us max
	drop-out		
	max	%Us	≤70 Us min
	of 50/60Hz coil powered at 60Hz		
	pick-up		
	min	%Us	85 Us min
	max	%Us	110 Us max
	drop-out		
	max	%Us	≤70 Us min
AC average coil consumption at 20°C	of 50/60Hz coil powered at 50Hz		
	in-rush	VA	70...175
	holding	VA	1.7...3.5
	of 50/60Hz coil powered at 60Hz		
	in-rush	VA	70...175
	holding	VA	1.7...3.5
	of 60Hz coil powered at 60Hz		
	in-rush	VA	70...175
	holding	VA	1.7...3.5
Dissipation at holding ≤20°C 50Hz		W	1.3...1,5
<b>DC coil operating</b>			
DC rated control voltage	min	V	20
	max	V	48

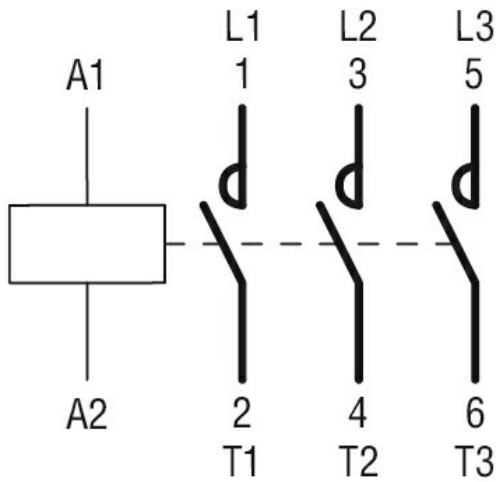
DC operating voltage				
pick-up		min	%Us	80 Us min
		max	%Us	110 Us max
drop-out		max	%Us	≤70 Us min
Average coil consumption ≤20°C				
		in-rush	W	70...80
		holding	W	1.3...1.5
<b>Max cycles frequency</b>				
Mechanical operation				cycles/h 1500
<b>Operating times</b>				
Average time for Us control				
in AC				
	Closing NO	min	ms	45
		max	ms	90
	Opening NO	min	ms	24
		max	ms	60
in DC				
	Closing NO	min	ms	45
		max	ms	85
	Opening NO	min	ms	24
		max	ms	60
<b>UL technical data</b>				
Yielded mechanical performance				
for three-phase AC motor				
		200/208V	HP	30
		220/230V	HP	30
		460/480V	HP	60
		575/600V	HP	75
General USE				
	Contactor	AC current	A	150
Short-circuit protection fuse, 600V				
	High fault	Short circuit current	kA	100
		Fuse rating	A	200
		Fuse class		J
	Standard fault	Short circuit current	kA	10
		Fuse rating	A	250
		Fuse class		RK5
<b>Ambient conditions</b>				
Temperature				
	Operating temperature	min	°C	-50
		max	°C	70
	Storage temperature	min	°C	-60
		max	°C	+80

Max altitude m 3000

**Dimensions [mm (in)]**



**Wiring diagrams**



**Certifications and compliance**

**Compliance**

- CSA C22.2 n° 60947-1
- CSA C22.2 n° 60947-4-1
- IEC/EN/BS 60947-1
- IEC/EN/BS 60947-4-1
- UL 60947-1
- UL 60947-4-1

**Certificates**

- CCC
- cULus

**ETIM classification**

ETIM 8.0

EC000066 -  
Power contactor,  
AC switching