

Rigid connecting kits for star-delta starter. For BF26...BF38 (L/Δ) BF09...BF25 (Λ) BFX3232

Product designation

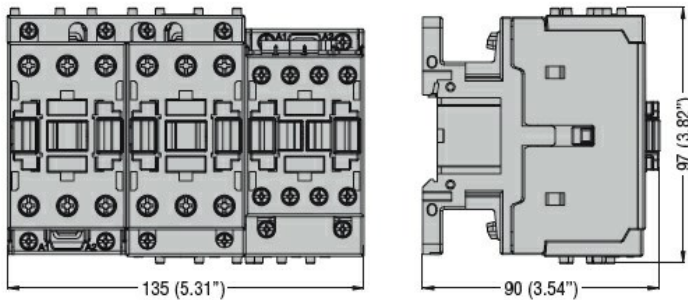
Product type designation

**Mechanical features**

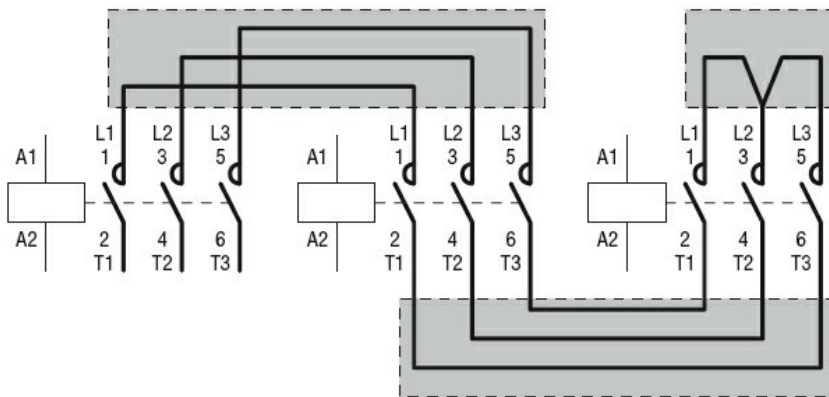
Weight

g 64

**Dimensions [mm (in)]**



**Wiring diagrams**



**Certifications and compliance**

Compliance

CSA C22.2 n° 60947-1

IEC/EN 60947-1

UL 60947-1

Certificates

cULus

EAC

**ETIM classification**

ETIM 8.0

EC002498 -  
Accessories/spare  
parts for low-  
voltage switch  
technology