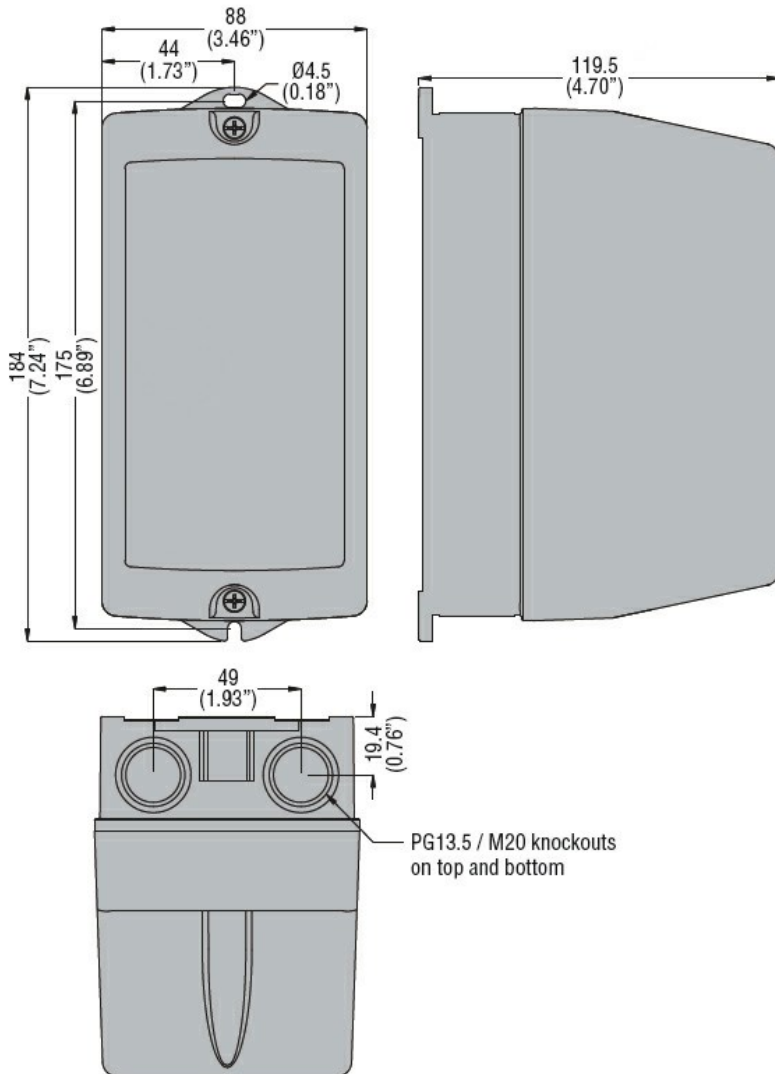




| | | | |
|---|------------------|-----|-----|
| Product designation | Empty enclosures | | |
| Product type designation | M0N | | |
| Electrical features | | | |
| Maximum operating current ($\leq 440V$) | A | 12 | |
| Components | | | |
| Contactor standard supplied | BG06, BG09, BG12 | | |
| Thermal relay to purchase separately | RFA9 | | |
| Mechanical features | | | |
| Weight | g | 405 | |
| Ambient conditions | | | |
| Operating temperature | min | °C | -25 |
| | max | °C | +60 |
| Storage temperature | min | °C | -40 |
| | max | °C | +70 |
| Resistance & Protection | | | |
| Frontal IP degree | IP65 | | |
| Dimensions [mm (in)] | | | |



Certifications and compliance

Compliance

CSA C22.2 n° 14

IEC/EN 60947-1

IEC/EN 60947-4-1

UL508

Certificates

cULus

ETIM classification

ETIM 8.0

EC000200 -
Enclosure for
control circuit
devices