

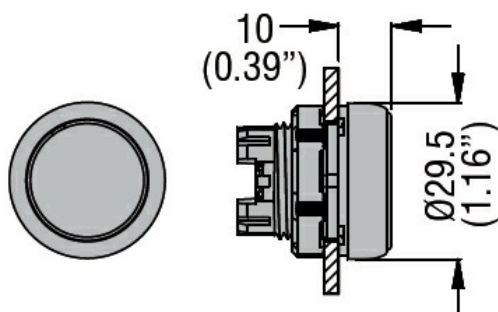


Product designation	Pushbutton actuator, spring return		
Product type designation	LPCB10		
General characteristics			
Colour	Yellow		
Type of positions	Flush pushbutton		
Material	Polyamide		
IEC degree of protection	IP66, IP67 and IP69K		
Mechanical features			
Operating force	kg-lb	<0.5Kg / 1.1lb	
Mechanical life - spring return actuators	cycles	5000000	
Fixing	Without mounting adapter		
Mounting adapter	LPXAU120		
Weight	g	25	

UL technical data			
UL degree of protection	Type1, 2, 3R, 4, 4X, 12, 12K		

Ambient conditions			
Temperature			
Operating temperature			
	min	°C	-25
	max	°C	+70
Storage temperature			
	min	°C	-40
	max	°C	+85

Dimensions [mm (in)]



Certifications and compliance

Compliance	CSA C22.2 n° 14
	IEC/EN/BS 60947-1
	IEC/EN/BS 60947-5-1
	UL508

Certificates

CCC

cULus

EAC

RINA

ETIM classification

ETIM 8.0

EC000221 -
Front element for
push button