

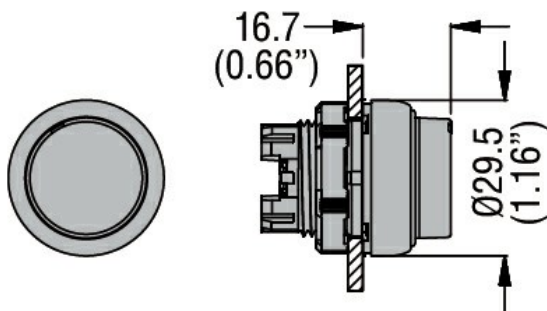


Product designation	Pushbutton actuator, spring return	
Product type designation	LPCB20	
<b>General characteristics</b>		
Colour	Blue	
Type of positions	Extended pushbutton	
Material	Polyamide	
IEC degree of protection	IP66, IP67 and IP69K	
<b>Mechanical features</b>		
Operating force	kg-lb	<0.5Kg / 1.1lb
Mechanical life - spring return actuators	cycles	5000000
Fixing	Without mounting adapter	
Mounting adapter	LPXAU120	
Weight	g	27

<b>UL technical data</b>		
UL degree of protection	Type1, 2, 3R, 4, 4X, 12, 12K	

<b>Ambient conditions</b>		
Temperature	Operating temperature	
	min	°C -25
	max	°C +70
	Storage temperature	
	min	°C -40
	max	°C +85

**Dimensions [mm (in)]**



**Certifications and compliance**

Compliance	CSA C22.2 n° 14
	IEC/EN/BS 60947-1
	IEC/EN/BS 60947-5-1

Certificates	UL508
	CCC
	cULus
	EAC
	RINA

**ETIM classification**

ETIM 8.0	EC000221 - Front element for push button
----------	--