



Product designation	Pilot light head
Product type designation	LPL

General characteristics

Colour	Green
Type of positions	Pilot light head
Material	Polyamide
IEC degree of protection	IP66, IP67 and IP69K

Mechanical features

Mounting adapter	LPXAU120
Weight	g 24

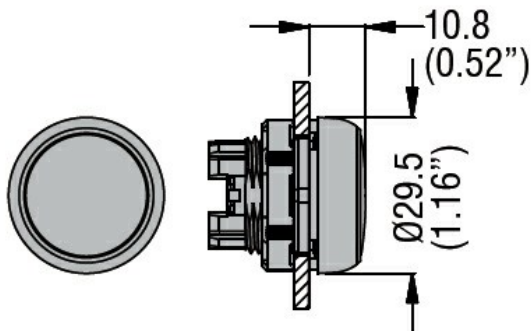
UL technical data

UL degree of protection	Type1, 2, 3R, 4, 4X, 12, 12K
-------------------------	------------------------------

Ambient conditions

Temperature	Operating temperature	min	°C	-25
		max	°C	+70
	Storage temperature	min	°C	-40
		max	°C	+85

Dimensions [mm (in)]



Certifications and compliance

Compliance	CSA C22.2 n° 14
	IEC/EN/BS 60947-1
	IEC/EN/BS 60947-5-1
	UL508

Certificates	CCC
	cULus
	EAC
	RINA

ETIM classification

ETIM 8.0

EC002024 -
Accessories/spare
parts for
command
devices