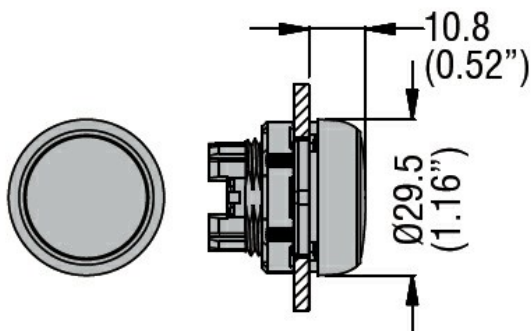




Product designation	Pilot light head		
Product type designation	LPL		
<b>General characteristics</b>			
Colour	Yellow		
Type of positions	Pilot light head		
Material	Polyamide		
IEC degree of protection	IP66, IP67 and IP69K		
<b>Mechanical features</b>			
Mounting adapter	LPXAU120		
Weight	g	24	
<b>UL technical data</b>			
UL degree of protection	Type1, 2, 3R, 4, 4X, 12, 12K		
<b>Ambient conditions</b>			
Temperature	Operating temperature		
	min	°C	-25
	max	°C	+70
	Storage temperature		
	min	°C	-40
	max	°C	+85

**Dimensions [mm (in)]**



**Certifications and compliance**

Compliance

CSA C22.2 n° 14  
IEC/EN/BS 60947-1  
IEC/EN/BS 60947-5-1  
UL508

Certificates

CCC  
cULus  
EAC  
RINA

**ETIM classification**

ETIM 8.0

EC002024 -  
Accessories/spare  
parts for  
command  
devices