



Product designation Pilot light head  
Product type designation LPL

**General characteristics**

Colour Blue  
Type of positions Pilot light head  
Material Polyamide  
IEC degree of protection IP66, IP67 and IP69K

**Mechanical features**

Mounting adapter LPXAU120  
Weight g 24

**UL technical data**

UL degree of protection Type1, 2, 3R, 4, 4X, 12, 12K

**Ambient conditions**

Temperature

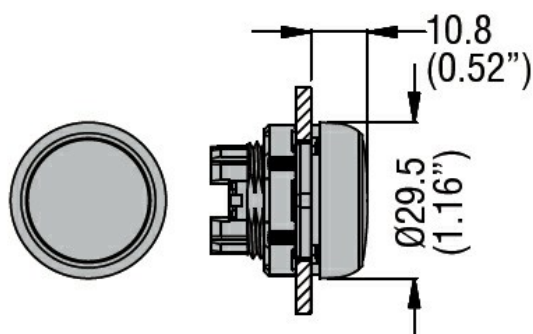
Operating temperature

min °C -25  
max °C +70

Storage temperature

min °C -40  
max °C +85

**Dimensions [mm (in)]**



**Certifications and compliance**

Compliance

CSA C22.2 n° 14  
IEC/EN/BS 60947-1  
IEC/EN/BS 60947-5-1  
UL508

Certificates

CCC  
cULus  
EAC  
RINA

**ETIM classification**

ETIM 8.0

EC002024 -  
Accessories/spare  
parts for  
command  
devices