



LED integrated monoblock pilot lights steady light LPML

Product designation

Product type designation

General characteristics

| | |
|--------------------------|---|
| Colour | Transparent |
| Type of positions | Monoblock pilot light |
| Material | Polyamide |
| IEC degree of protection | IP66, IP67 and IP69K on front; IP20 on rear |

Electrical characteristics

| | | |
|---------------------|----|-----------------------|
| Rated frequency | Hz | 50-60 |
| Supply voltage (AC) | V | 24 (-15% ... +10% Ue) |
| Supply voltage (DC) | V | 24 (-15% ... +10% Ue) |

Operations

| | | |
|-----------------|-------|--------|
| Electrical life | hours | >30000 |
|-----------------|-------|--------|

Mechanical features

| | | |
|-------------------------------------|-----------------------------|---------------------|
| Tightening torque for terminals max | Nm | 0.8 |
| Terminals screw | Screw termination | |
| Conductor section | AWG/kcmil conductor section | |
| | min | 18 |
| | max | 16 |
| | IEC | |
| | max | mm ² 2.5 |

| | |
|--------|-------------------|
| Fixing | Ring fixing Ø22mm |
| Weight | g 21 |

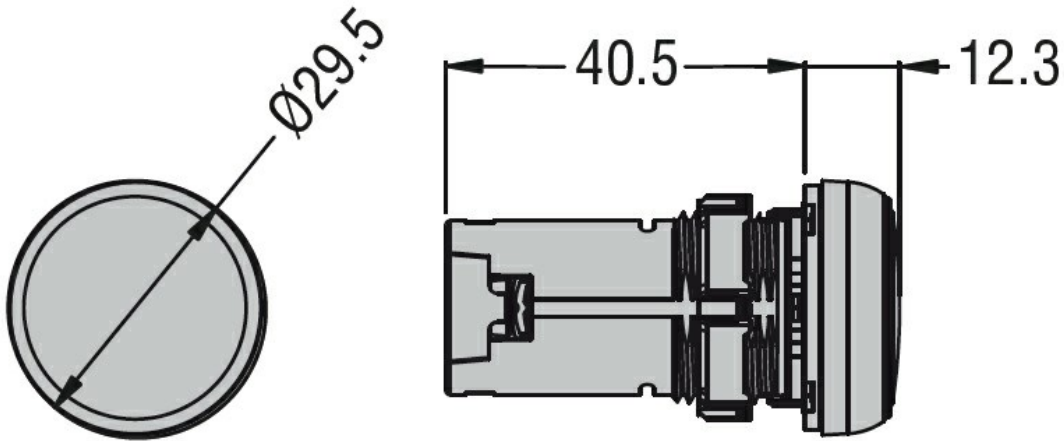
UL technical data

| | |
|-------------------------|---------------------------------------|
| UL degree of protection | Type1, 2, 3R, 4, 4X, 12, 12K on front |
|-------------------------|---------------------------------------|

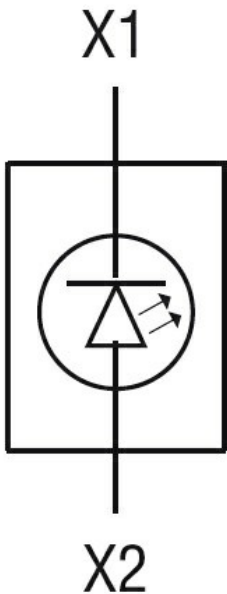
Ambient conditions

| | | | |
|-------------|-----------------------|----|-----|
| Temperature | Operating temperature | | |
| | min | °C | -25 |
| | max | °C | +70 |

Dimensions [mm (in)]



Wiring diagrams



Certifications and compliance

Compliance

CSA C22.2 n° 14
IEC/EN/BS 60947-1
IEC/EN/BS 60947-5-1
UL508

Certificates

cULus
EAC

ETIM classification

ETIM 8.0

EC000272 -
Indicator light
complete