



Adapter for mounting LPC... buttons on DIN rail 35mm/1.38" wide (2 modules)
LPXDIN

Product designation

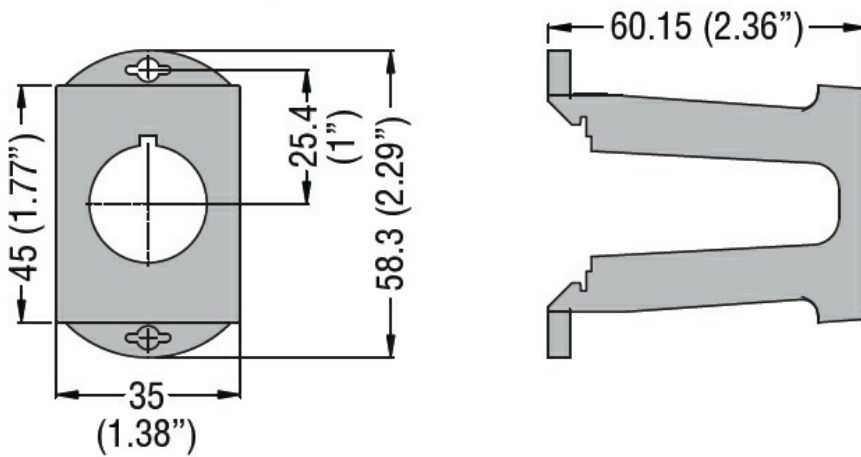
Product type designation

Mechanical features

Weight

g 8

Dimensions [mm (in)]



Certifications and compliance

Compliance

/

Certificates

cULus

ETIM classification

ETIM 8.0

EC002498 -
Accessories/spare
parts for low-
voltage switch
technology