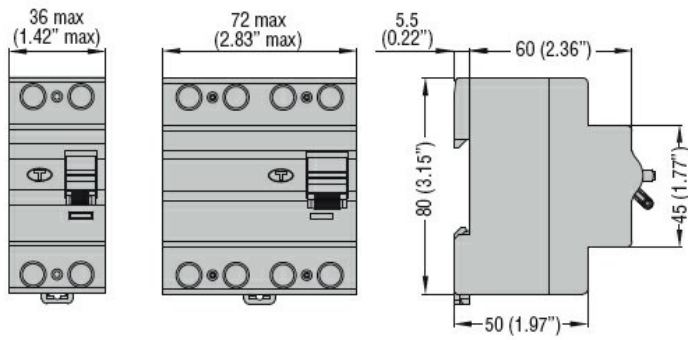




Product designation	Residual current circuit breakers (RCCB)				
Product type designation	P1 RC				
Number of poles	4P				
Number of DIN modules	4				
Compliance	IEC				
Electrical features					
Rated insulation voltage U_i IEC/EN	V	400			
Rated impulse withstand voltage U_{imp}	kV	4			
Rated operational voltage AC (IEC)	VAC	230/400			
Rated frequency	Hz	50/60			
Rated current (I_n)	A	63			
Residual operation characteristic		B			
Rated residual current	mA	30			
Ambient conditions					
Operating temperature	min	°C	-35		
	max	°C	70		
Storage temperature	min	°C	-40		
	max	°C	80		
Max altitude	m	2000			
Mechanical features					
Operating position	normal	Vertical plan			
Fixing		35mm DIN rail			
Tightening torque for terminals	min	Nm	1.8		
	max	Nm	2		
	min	lbin	16		
	max	lbin	17.7		
Terminals tool		Pz 2			
Conductor section	IEC	min	mm ²	2.5	
		max	mm ²	35	
	AWG/Kcmil	min		14	
		max		2	
		Weight		g	335
		Frontal IP degree			IP20
Pollution degree			2		
Dimensions [mm (in)]					



Certifications and compliance

Compliance

IEC/EN/BS 61008-1

IEC/EN/BS 62423

Certifications

TÜV-SUD

ETIM classification

ETIM 8.0

EC000003 -
Residual current
circuit breaker
(RCCB)