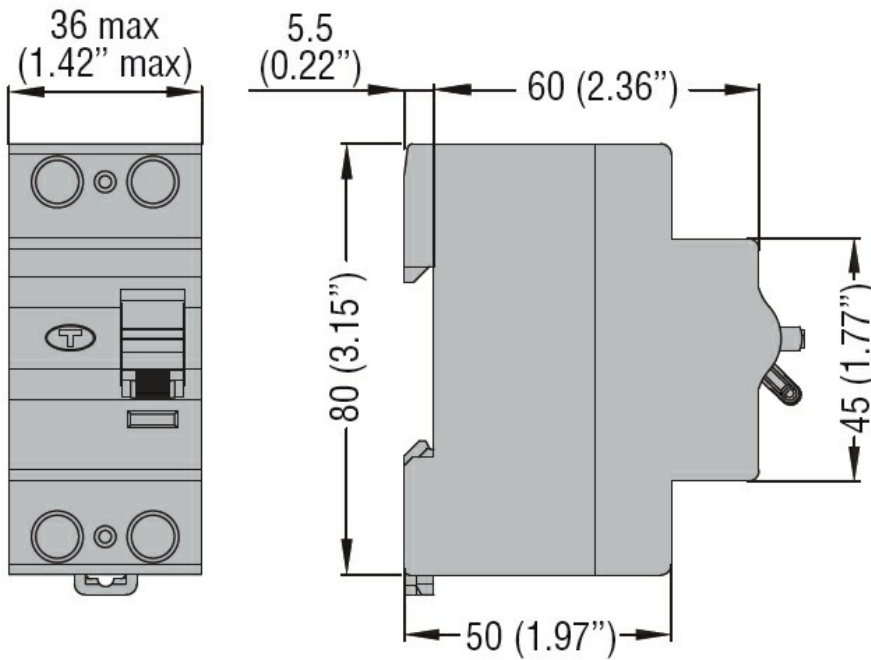




| | | | | |
|---|--|---------------|-----------------|-----|
| Product designation | Residual current circuit breakers (RCCB) | | | |
| Product type designation | P1 RC | | | |
| Number of poles | 2P | | | |
| Number of DIN modules | 2 | | | |
| Compliance | IEC | | | |
| Electrical features | | | | |
| Rated insulation voltage U_i IEC/EN | V | 400 | | |
| Rated impulse withstand voltage U_{imp} | kV | 4 | | |
| Rated operational voltage AC (IEC) | VAC | 230 | | |
| Rated frequency | Hz | 50/60 | | |
| Rated current (I_n) | A | 25 | | |
| Residual operation characteristic | | AC | | |
| Rated residual current | mA | 30 | | |
| Power dissipation per pole max | W | 0.5 | | |
| Ambient conditions | | | | |
| Operating temperature | min | °C | -35 | |
| | max | °C | 70 | |
| Storage temperature | min | °C | -40 | |
| | max | °C | 80 | |
| Max altitude | m | 2000 | | |
| Mechanical features | | | | |
| Operating position | normal | Vertical plan | | |
| Fixing | | 35mm DIN rail | | |
| Tightening torque for terminals | min | Nm | 1.8 | |
| | max | Nm | 2 | |
| | min | lbin | 16 | |
| | max | lbin | 17.7 | |
| Terminals tool | | Pz 2 | | |
| Conductor section | IEC | min | mm ² | 2.5 |
| | | max | mm ² | 35 |
| | AWG/Kcmil | min | | 14 |
| | | max | | 2 |
| Weight | | g | 185 | |
| Frontal IP degree | | | IP20 | |
| Pollution degree | | | 2 | |
| Dimensions [mm (in)] | | | | |



Certifications and compliance

Compliance

IEC/EN/BS 61008-1

Certifications

EAC

TÜV-SUD

ETIM classification

ETIM 8.0

EC000003 -
 Residual current
 circuit breaker
 (RCCB)