



Shroud for buttons LPC B63..., LPC B66/67/68/BL666... LPXAU159

Product designation

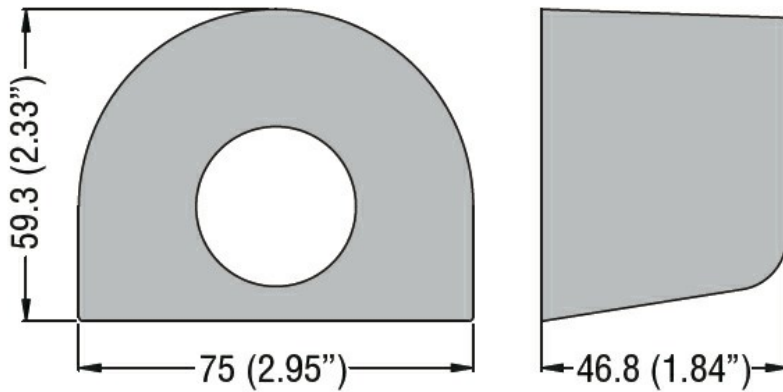
Product type designation

Mechanical features

Weight

g 10

Dimensions [mm (in)]



Certifications and compliance

Compliance

/

Certificates

cULus

ETIM classification

ETIM 8.0

EC002498 - Accessories/spare parts for low-voltage switch technology