



| | |
|--------------------------|---------------------------------|
| Product designation | Miniature circuit breaker (MCB) |
| Product type designation | P1 MB |
| Number of poles | 3P |
| Number of DIN modules | 3 |
| Compliance | IEC / UL1077 |

Electrical features

| | | |
|---|--------|---------|
| Rated insulation voltage U_i IEC/EN | V | 440 |
| Rated impulse withstand voltage U_{imp} | kV | 4 |
| Rated operational voltage AC (IEC) | VAC | 230/400 |
| Rated frequency | Hz | 50/60 |
| Rated current (I_n) | A | 25 |
| Tripping curve | | B |
| Short circuit rating (IEC) | kA | 10 |
| Electrical life | cycles | 10000 |
| Power dissipation per pole max | W | 2.13 |

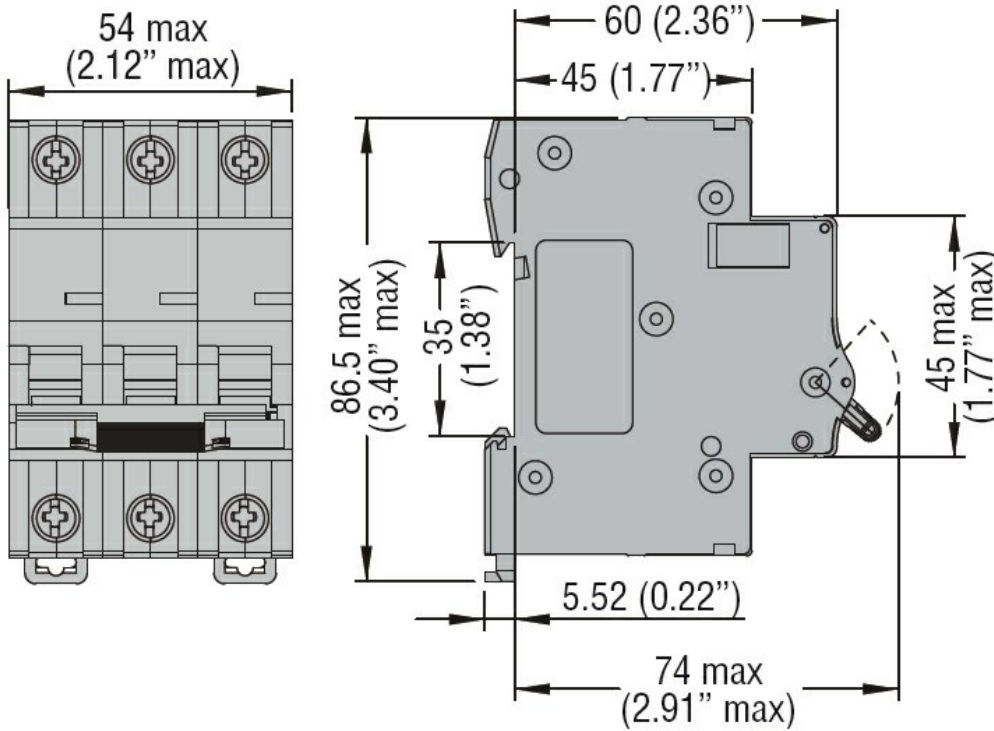
Ambient conditions

| | | | |
|-----------------------|-----|----|------|
| Operating temperature | min | °C | -40 |
| | max | °C | +70 |
| Storage temperature | min | °C | -40 |
| | max | °C | +80 |
| Max altitude | | m | 2000 |

Mechanical features

| | | | | |
|---------------------------------|-----------|---------------|-----------------|----|
| Operating position | normal | Vertical plan | | |
| Fixing | | 35mm DIN rail | | |
| Tightening torque for terminals | min | Nm | 1.8 | |
| | max | Nm | 2 | |
| | min | Ibin | 16 | |
| | max | Ibin | 17.7 | |
| Terminals tool | | Pz 2 | | |
| Conductor section | IEC | min | mm ² | 1 |
| | | max | mm ² | 35 |
| | AWG/Kcmil | min | | 14 |
| | | max | | 6 |
| Mechanical life | | cycles | 20000 | |
| Weight | | g | 345 | |
| Frontal IP degree | | | IP20 | |
| Pollution degree | | | 2 | |

Dimensions [mm (in)]



Wiring diagrams



Certifications and compliance

Compliance

CSA C22.2 n°235. UR "UL Recognized" per Canada e USA.
 IEC/EN 60898-1
 IEC/EN 60947-2
 UL 1077

Certifications

cURus
 EAC
 TÜV-Rheinland

ETIM classification

ETIM 8.0

EC000042 -
 Miniature circuit
 breaker (MCB)