



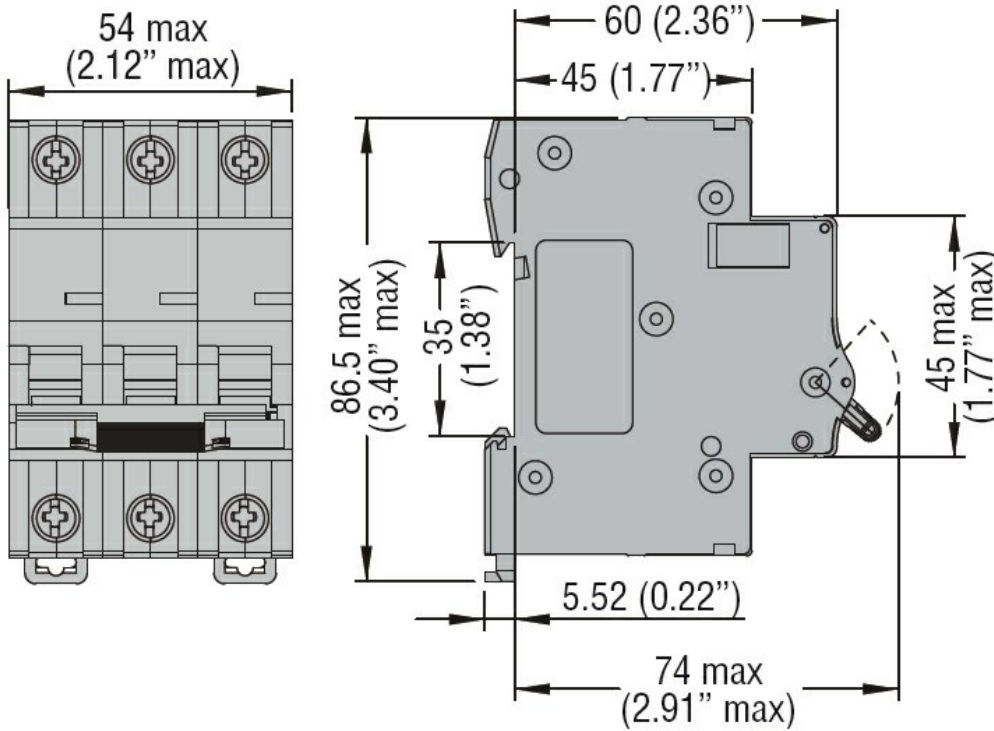
Product designation	Miniature circuit breaker (MCB)
Product type designation	P1 MB
Number of poles	3P
Number of DIN modules	3
Compliance	IEC / UL1077

Electrical features			
Rated insulation voltage $U_i$ IEC/EN	V		440
Rated impulse withstand voltage $U_{imp}$	kV		4
Rated operational voltage AC (IEC)	VAC		230/400
Rated frequency	Hz		50/60
Rated current ( $I_n$ )	A		25
Tripping curve			D
Short circuit rating (IEC)	kA		10
Electrical life	cycles		10000
Power dissipation per pole max	W		2.13

Ambient conditions			
Operating temperature	min	°C	-40
	max	°C	+70
Storage temperature	min	°C	-40
	max	°C	+80
Max altitude		m	2000

Mechanical features				
Operating position	normal		Vertical plan	
			35mm DIN rail	
Fixing			35mm DIN rail	
Tightening torque for terminals	min	Nm	1.8	
	max	Nm	2	
	min	lbin	16	
	max	lbin	17.7	
Terminals tool			Pz 2	
Conductor section	IEC	min	mm <sup>2</sup>	1
		max	mm <sup>2</sup>	35
	AWG/Kcmil	min		14
		max		6
	Mechanical life		cycles	20000
	Weight		g	345
Frontal IP degree			IP20	
Pollution degree			2	

**Dimensions [mm (in)]**



**Wiring diagrams**



**Certifications and compliance**

**Compliance**

CSA C22.2 n°235. UR "UL Recognized" per Canada e USA.  
 IEC/EN 60898-1  
 IEC/EN 60947-2  
 UL 1077

**Certifications**

cURus  
 EAC  
 TÜV-Rheinland

**ETIM classification**

ETIM 8.0

EC000042 -  
 Miniature circuit  
 breaker (MCB)