



Product designation				Power contactor
Product type designation				BG12
Contact characteristics				
Number of poles	Nr.	3		
Rated insulation voltage U _i IEC/EN	V	690		
Rated impulse withstand voltage U _{imp}	kV	6		
Operational frequency	min	Hz	25	
	max	Hz	400	
IEC Conventional free air thermal current I _{th}	A	20		
Operational current I _e	AC-1 (≤40°C)	A	20	
	AC-1 (≤55°C)	A	18	
	AC-1 (≤70°C)	A	15	
	AC-3 (≤440V ≤55°C)	A	12	
	AC-4 (400V)	A	4.8	
Rated operational power AC-3 (T≤55°C)	230V	kW	3.2	
	400V	kW	5.7	
	415V	kW	6.2	
	440V	kW	5.5	
	500V	kW	5	
	690V	kW	5	
Rated operational power AC-1 (T≤40°C)	230V	kW	8	
	400V	kW	14	
	500V	kW	16	
	690V	kW	22	
IEC max current I _e in DC1 with L/R ≤ 1ms with 1 poles in series	≤24V	A	12	
	48V	A	10	
	75V	A	4	
	110V	A	3	
	220V	A	–	
IEC max current I _e in DC1 with L/R ≤ 1ms with 2 poles in series	≤24V	A	15	
	48V	A	14	
	75V	A	9	
	110V	A	8	
	220V	A	–	
IEC max current I _e in DC1 with L/R ≤ 1ms with 3 poles in series	≤24V	A	16	
	48V	A	16	
	75V	A	10	
	110V	A	10	

	220V	A	2
IEC max current Ie in DC1 with L/R ≤ 1ms with 4 poles in series	≤24V	A	–
	48V	A	–
	75V	A	–
	110V	A	–
	220V	A	–
IEC max current Ie in DC3-DC5 with L/R ≤ 15ms with 1 poles in series	≤24V	A	7
	48V	A	6
	75V	A	2
	110V	A	1
	220V	A	–
IEC max current Ie in DC3-DC5 with L/R ≤ 15ms with 2 poles in series	≤24V	A	8
	48V	A	8
	75V	A	5
	110V	A	4
	220V	A	–
IEC max current Ie in DC3-DC5 with L/R ≤ 15ms with 3 poles in series	≤24V	A	10
	48V	A	10
	75V	A	6
	110V	A	5
	220V	A	0,8
IEC max current Ie in DC3-DC5 with L/R ≤ 15ms with 4 poles in series	≤24V	A	–
	48V	A	–
	75V	A	–
	110V	A	–
	220V	A	–
Short-time allowable current for 10s (IEC/EN60947-1)		A	96
Protection fuse	gG (IEC)	A	20
	aM (IEC)	A	16
Making capacity (RMS value)		A	120
Breaking capacity at voltage	440V	A	96
	500V	A	72
	690V	A	72
Resistance per pole (average value)		mΩ	10
Power dissipation per pole (average value)	Ith	W	4
	AC3	W	1.44
Tightening torque for terminals	min	Nm	0.8
	max	Nm	1
	min	Ibin	9
	max	Ibin	9
Tightening torque for coil terminal	min	Nm	0.8
	max	Nm	1
	min	Ibin	9

		max	lbin	9
Max number of wires simultaneously connectable			Nr.	2
Conductor section	AWG/Kcmil	max		12
Flexible w/o lug conductor section		min	mm ²	0.75
		max	mm ²	2.5
Flexible c/w lug conductor section		min	mm ²	1.5
		max	mm ²	2.5
Flexible with insulated spade lug conductor section		min	mm ²	1.5
		max	mm ²	2.5
Power terminal protection according to IEC/EN 60529				IP20 when properly wired

Mechanical features

Operating position		normal allowable		Vertical plan ±30°
Fixing				Screw / DIN rail 35mm
Weight			g	180
Conductor section	AWG/kcmil conductor section	max		12

Auxiliary contact characteristics

Thermal current I _{th}		A		10
IEC/EN 60947-5-1 designation				A600 - Q600
Operating current AC15		230V	A	3
		400V	A	1.9
		500V	A	1.4
Operating current DC12		110V	A	2.9
Operating current DC13		24V	A	2.9
		48V	A	1.4
		60V	A	1.2
		110V	A	0.6
		125V	A	0.55
		220V	A	0.3
		600V	A	0.1

Operations

Mechanical life		cycles		20000000
Electrical life		cycles		500000

Safety related data

Performance level B10d according to EN/ISO 13489-1		rated load	cycles	500000
		mechanical load	cycles	20000000
Mirror contacts according to IEC/EN 60947-4-1				yes
EMC compatibility				yes

AC coil operating

Rated AC voltage at 50/60Hz	V	24
AC operating voltage		
of 50/60Hz coil powered at 50Hz		
pick-up	min %Us	75
	max %Us	115
drop-out	min %Us	20
	max %Us	55
of 50/60Hz coil powered at 60Hz		
pick-up	min %Us	80
	max %Us	115
drop-out	min %Us	20
	max %Us	55
AC average coil consumption at 20°C		
of 50/60Hz coil powered at 50Hz		
	in-rush VA	30
	holding VA	4
of 50/60Hz coil powered at 60Hz		
	in-rush VA	25
	holding VA	3
of 60Hz coil powered at 60Hz		
	in-rush VA	30
	holding VA	4
Dissipation at holding ≤20°C 50Hz	W	0.95
Max cycles frequency		
Mechanical operation	cycles/h	3600
Operating times		
Average time for U _s control		
in AC		
Closing NO	min ms	12
	max ms	21
Opening NO	min ms	9
	max ms	18
Closing NC	min ms	17
	max ms	26
Opening NC	min ms	7
	max ms	17
in DC		
Closing NO	min ms	18
	max ms	25
Opening NO	min ms	2
	max ms	3
Closing NC	min ms	3
	max ms	5

Opening NC

min	ms	11
max	ms	17

UL technical data

Full-load current (FLA) for three-phase AC motor

at 480V	A	11
at 600V	A	11

Yielded mechanical performance

for single-phase AC motor

110/120V	HP	0.5
230V	HP	1.5

for three-phase AC motor

200/208V	HP	3
220/230V	HP	3
460/480V	HP	7.5
575/600V	HP	10

General USE

Contactor

AC current	A	20
------------	---	----

Short-circuit protection fuse, 600V

High fault

Short circuit current	kA	100
Fuse rating	A	30
Fuse class		J

Standard fault

Short circuit current	kA	5
Fuse rating	A	30
Fuse class		RK5

Contact rating of auxiliary contacts according to UL

A600 - Q600

Ambient conditions

Temperature

Operating temperature

min	°C	-50
max	°C	+70

Storage temperature

min	°C	-60
max	°C	+80

Max altitude

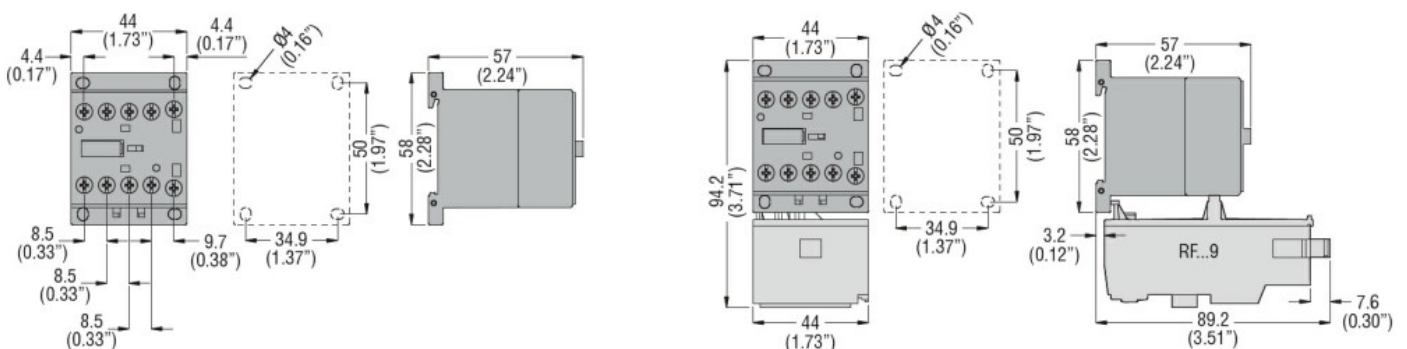
m 3000

Resistance & Protection

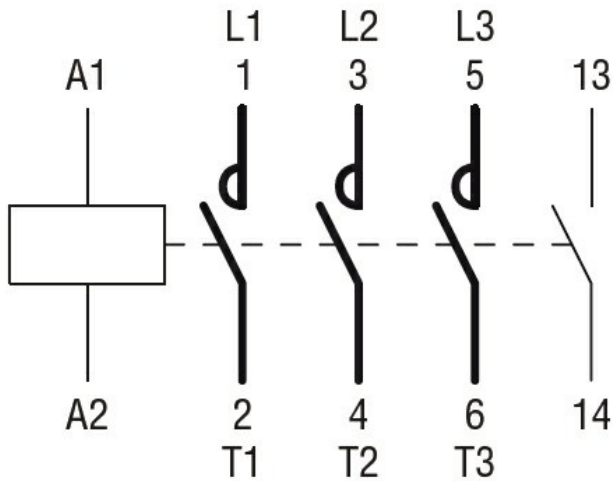
Pollution degree

3

Dimensions [mm (in)]



Wiring diagrams



Certifications and compliance

Compliance

CSA C22.2 n° 60947-1

CSA C22.2 n° 60947-4-1

IEC/EN 60947-1

IEC/EN 60947-4-1

UL 60947-1

UL 60947-4-1

Certificates

CCC

cULus

EAC

ETIM classification

ETIM 8.0

EC000066 -
 Power contactor,
 AC switching