



Product designation  
Product type designation

Power contactor  
BF40

**Contact characteristics**

Number of poles	Nr.	3
Rated insulation voltage $U_i$ IEC/EN	V	1000
Rated impulse withstand voltage $U_{imp}$	kV	8
Operational frequency	min	Hz 25
	max	Hz 400
IEC Conventional free air thermal current $I_{th}$	A	70
Operational current $I_e$	AC-1 ( $\leq 40^\circ\text{C}$ )	A 70
	AC-1 ( $\leq 55^\circ\text{C}$ )	A 60
	AC-1 ( $\leq 70^\circ\text{C}$ )	A 50
	AC-3 ( $\leq 440\text{V} \leq 55^\circ\text{C}$ )	A 40
	AC-4 (400V)	A 24
Rated operational power AC-3 ( $T \leq 55^\circ\text{C}$ )	230V	kW 11
	400V	kW 18.5
	415V	kW 22
	440V	kW 22
	500V	kW 22
	690V	kW 30
	1000V	kW 18.5
Rated operational power AC-1 ( $T \leq 40^\circ\text{C}$ )	230V	kW 26
	400V	kW 46
	500V	kW 58
	690V	kW 79
IEC max current $I_e$ in DC1 with $L/R \leq 1\text{ms}$ with 1 poles in series	$\leq 24\text{V}$	A 40
	48V	A 35
	75V	A 30
	110V	A 8
	220V	A –
IEC max current $I_e$ in DC1 with $L/R \leq 1\text{ms}$ with 2 poles in series	$\leq 24\text{V}$	A 48
	48V	A 48
	75V	A 45
	110V	A 42
	220V	A 5
IEC max current $I_e$ in DC1 with $L/R \leq 1\text{ms}$ with 3 poles in series	$\leq 24\text{V}$	A 48
	48V	A 48
	75V	A 48

	110V	A	44
	220V	A	56
<hr/>			
IEC max current I <sub>e</sub> in DC1 with L/R ≤ 1ms with 4 poles in series			
	≤24V	A	–
	48V	A	–
	75V	A	–
	110V	A	–
	220V	A	70
<hr/>			
IEC max current I <sub>e</sub> in DC3-DC5 with L/R ≤ 15ms with 1 poles in series			
	≤24V	A	27
	48V	A	23
	75V	A	19
	110V	A	3
	220V	A	–
<hr/>			
IEC max current I <sub>e</sub> in DC3-DC5 with L/R ≤ 15ms with 2 poles in series			
	≤24V	A	32
	48V	A	30
	75V	A	27
	110V	A	22
	220V	A	5
<hr/>			
IEC max current I <sub>e</sub> in DC3-DC5 with L/R ≤ 15ms with 3 poles in series			
	≤24V	A	40
	48V	A	40
	75V	A	38
	110V	A	27
	220V	A	32
<hr/>			
IEC max current I <sub>e</sub> in DC3-DC5 with L/R ≤ 15ms with 4 poles in series			
	≤24V	A	–
	48V	A	–
	75V	A	–
	110V	A	–
	220V	A	40
<hr/>			
Short-time allowable current for 10s (IEC/EN60947-1)		A	400
<hr/>			
Protection fuse			
	gG (IEC)	A	100
	aM (IEC)	A	50
<hr/>			
Making capacity (RMS value)		A	400
<hr/>			
Breaking capacity at voltage			
	440V	A	320
	500V	A	265
	690V	A	256
<hr/>			
Resistance per pole (average value)		mΩ	0.8
<hr/>			
Power dissipation per pole (average value)			
	I <sub>th</sub>	W	3.9
	AC3	W	1.3
<hr/>			
Tightening torque for terminals			
	min	Nm	4
	max	Nm	5
	min	I <sub>bin</sub>	2.95
	max	I <sub>bin</sub>	3.69
<hr/>			
Tightening torque for coil terminal			
	min	Nm	0.8
	max	Nm	1

	min	I <sub>bin</sub>	0.8
	max	I <sub>bin</sub>	0.74
Max number of wires simultaneously connectable		Nr.	2
Conductor section			
AWG/Kcmil			
	max		2
Flexible w/o lug conductor section			
	min	mm <sup>2</sup>	1.5
	max	mm <sup>2</sup>	35
Flexible c/w lug conductor section			
	min	mm <sup>2</sup>	1.5
	max	mm <sup>2</sup>	35
Power terminal protection according to IEC/EN 60529			IP20 front
<b>Mechanical features</b>			
Operating position	normal allowable		Vertical plan ±30°
Fixing			Screw / DIN rail 35mm
Weight		g	1060
Conductor section			
AWG/kcmil conductor section			
	max		2
<b>Operations</b>			
Mechanical life		cycles	15000000
Electrical life		cycles	1500000
<b>Safety related data</b>			
Performance level B10d according to EN/ISO 13489-1			
	rated load	cycles	1500000
	mechanical load	cycles	15000000
Mirror contacts according to IEC/EN 60947-4-1			yes
EMC compatibility			yes
<b>AC coil operating</b>			
Rated AC voltage at 50/60Hz, 60Hz			
	min	V	20
	max	V	48
AC operating voltage			
of 50/60Hz coil powered at 50Hz			
pick-up	min	%Us	85 Us min
drop-out	max	%Us	≤70 Us min
of 50/60Hz coil powered at 60Hz			
pick-up	min	%Us	85 Us min
	max	%Us	110 Us max
drop-out	max	%Us	≤70 Us min
AC average coil consumption at 20°C			
of 50/60Hz coil powered at 50Hz			
	in-rush	VA	35...120
	holding	VA	1.5...3.7
of 50/60Hz coil powered at 60Hz			

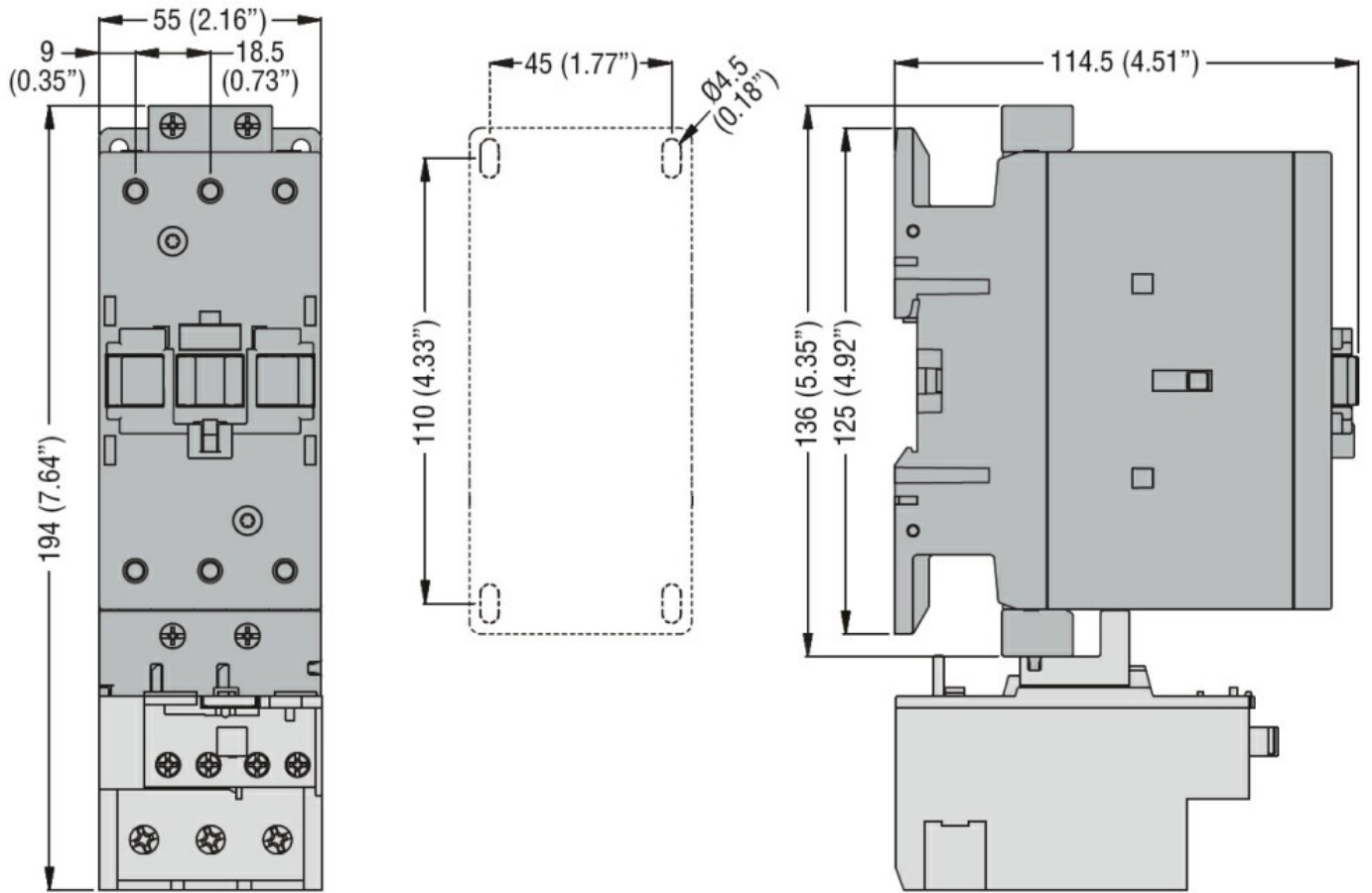
	in-rush	VA	35...120
	holding	VA	1.5...3.7
Dissipation at holding $\leq 20^{\circ}\text{C}$ 50Hz		W	1...2.5
<b>DC coil operating</b>			
DC rated control voltage	min	V	20
	max	V	48
<b>DC operating voltage</b>			
pick-up	min	%Us	80 Us min
	max	%Us	110 Us max
drop-out	max	%Us	$\leq 70$ Us min
<b>Average coil consumption <math>\leq 20^{\circ}\text{C}</math></b>			
	in-rush	W	23...68
	holding	W	1.2...1,9
<b>Max cycles frequency</b>			
Mechanical operation		cycles/h	1500
<b>Operating times</b>			
Average time for Us control			
in AC			
Closing NO		min	ms 12
		max	ms 28
Opening NO		min	ms 8
		max	ms 22
in DC			
Closing NO		min	ms 40
		max	ms 85
Opening NO		min	ms 20
		max	ms 55
<b>UL technical data</b>			
Full-load current (FLA) for three-phase AC motor			
	at 480V	A	40
	at 600V	A	32
<b>Yielded mechanical performance</b>			
for single-phase AC motor			
	110/120V	HP	3
	230V	HP	7.5
for three-phase AC motor			
	200/208V	HP	10
	220/230V	HP	15
	460/480V	HP	30
	575/600V	HP	30
<b>General USE</b>			
Contactor			
	AC current	A	70
Auxiliary contacts			
	AC voltage	V	600
	AC current	A	10
	DC voltage	V	250

	DC current	A	1
Short-circuit protection fuse, 600V High fault	Short circuit current	kA	100
	Fuse rating	A	150
	Fuse class		J
Standard fault	Short circuit current	kA	5
	Fuse rating	A	150
	Fuse class		RK5
Contact rating of auxiliary contacts according to UL			SI - A600
<b>Ambient conditions</b>			
Temperature	Operating temperature	min	°C -40
		max	°C 70
	Storage temperature	min	°C -50
		max	°C 80
Max altitude		m	3000

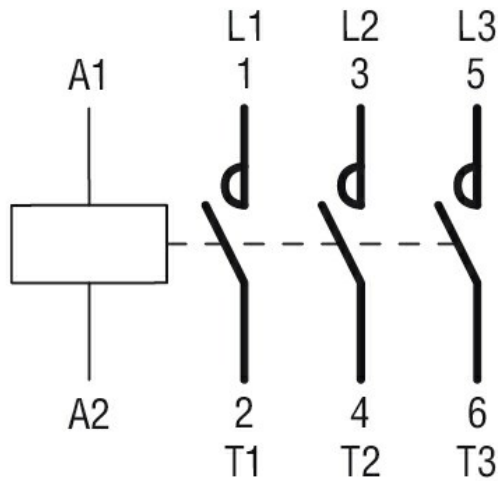
**Resistance & Protection**

Pollution degree	3
------------------	---

**Dimensions [mm (in)]**



**Wiring diagrams**



**Certifications and compliance**

Compliance

CSA C22.2 n° 60947-1

CSA C22.2 n° 60947-4-1

IEC/EN/BS 60947-1

IEC/EN/BS 60947-4-1

UL 60947-1

UL 60947-4-1

Certificates

CCC

cULus

**ETIM classification**

ETIM 8.0

EC000066 -  
 Power contactor,  
 AC switching