



Power contactor
BF50

Product designation

Product type designation

Contact characteristics

Number of poles	Nr.	3
Rated insulation voltage U _i IEC/EN	V	1000
Rated impulse withstand voltage U _{imp}	kV	8
Operational frequency	min	Hz 25
	max	Hz 400
IEC Conventional free air thermal current I _{th}	A	90
Operational current I _e	AC-1 (≤40°C)	A 90
	AC-1 (≤55°C)	A 75
	AC-1 (≤70°C)	A 65
	AC-3 (≤440V ≤55°C)	A 50
	AC-4 (400V)	A 28
Rated operational power AC-3 (T≤55°C)	230V	kW 15
	400V	kW 22
	415V	kW 30
	440V	kW 30
	500V	kW 30
	690V	kW 37
	1000V	kW 22
Rated operational power AC-1 (T≤40°C)	230V	kW 34
	400V	kW 59
	500V	kW 74
	690V	kW 102
IEC max current I _e in DC1 with L/R ≤ 1ms with 1 poles in series	≤24V	A 45
	48V	A 40
	75V	A 40
	110V	A 8
	220V	A –
IEC max current I _e in DC1 with L/R ≤ 1ms with 2 poles in series	≤24V	A 60
	48V	A 60
	75V	A 60
	110V	A 50
	220V	A 7
IEC max current I _e in DC1 with L/R ≤ 1ms with 3 poles in series	≤24V	A 60
	48V	A 60
	75V	A 60

	110V	A	55
	220V	A	75
<hr/>			
IEC max current I _e in DC1 with L/R ≤ 1ms with 4 poles in series			
	≤24V	A	60
	48V	A	60
	75V	A	60
	110V	A	60
	220V	A	90
<hr/>			
IEC max current I _e in DC3-DC5 with L/R ≤ 15ms with 1 poles in series			
	≤24V	A	30
	48V	A	25
	75V	A	22
	110V	A	3
	220V	A	–
<hr/>			
IEC max current I _e in DC3-DC5 with L/R ≤ 15ms with 2 poles in series			
	≤24V	A	35
	48V	A	35
	75V	A	30
	110V	A	25
	220V	A	5
<hr/>			
IEC max current I _e in DC3-DC5 with L/R ≤ 15ms with 3 poles in series			
	≤24V	A	50
	48V	A	50
	75V	A	45
	110V	A	30
	220V	A	40
<hr/>			
IEC max current I _e in DC3-DC5 with L/R ≤ 15ms with 4 poles in series			
	≤24V	A	55
	48V	A	55
	75V	A	55
	110V	A	45
	220V	A	50
<hr/>			
Short-time allowable current for 10s (IEC/EN60947-1)		A	400
<hr/>			
Protection fuse			
	gG (IEC)	A	100
	aM (IEC)	A	50
<hr/>			
Making capacity (RMS value)		A	500
<hr/>			
Breaking capacity at voltage			
	440V	A	400
	500V	A	352
	690V	A	312
<hr/>			
Resistance per pole (average value)		mΩ	0.8
<hr/>			
Power dissipation per pole (average value)			
	I _{th}	W	6.5
	AC3	W	2
<hr/>			
Tightening torque for terminals			
	min	Nm	4
	max	Nm	5
	min	I _{bin}	2.95
	max	I _{bin}	3.69
<hr/>			
Tightening torque for coil terminal			
	min	Nm	0.8
	max	Nm	1

	min	I _{bin}	0.8
	max	I _{bin}	0.74
Max number of wires simultaneously connectable		Nr.	2
Conductor section			
AWG/Kcmil			
	max		2
Flexible w/o lug conductor section			
	min	mm ²	1.5
	max	mm ²	35
Flexible c/w lug conductor section			
	min	mm ²	1.5
	max	mm ²	35
Power terminal protection according to IEC/EN 60529			IP20 front
Mechanical features			
Operating position	normal allowable		Vertical plan ±30°
Fixing			Screw / DIN rail 35mm
Weight		g	1060
Conductor section			
AWG/kcmil conductor section			
	max		2
Operations			
Mechanical life		cycles	15000000
Electrical life		cycles	1400000
Safety related data			
Performance level B10d according to EN/ISO 13489-1			
	rated load	cycles	1400000
	mechanical load	cycles	15000000
Mirror contacts according to IEC/EN 60947-4-1			yes
EMC compatibility			yes
AC coil operating			
Rated AC voltage at 50/60Hz, 60Hz			
	min	V	20
	max	V	48
AC operating voltage			
of 50/60Hz coil powered at 50Hz			
pick-up	min	%Us	85 Us min
drop-out	max	%Us	≤70 Us min
of 50/60Hz coil powered at 60Hz			
pick-up	min	%Us	85 Us min
	max	%Us	110 Us max
drop-out	max	%Us	≤70 Us min
AC average coil consumption at 20°C			
of 50/60Hz coil powered at 50Hz			
	in-rush	VA	35...120
	holding	VA	1.5...3.7
of 50/60Hz coil powered at 60Hz			

		in-rush	VA	35...120	
		holding	VA	1.5...3.7	
Dissipation at holding $\leq 20^{\circ}\text{C}$ 50Hz				W	1...2.5
DC coil operating					
DC rated control voltage					
		min	V	20	
		max	V	48	
DC operating voltage					
	pick-up	min	%Us	80 Us min	
		max	%Us	110 Us max	
	drop-out	max	%Us	≤ 70 Us min	
Average coil consumption $\leq 20^{\circ}\text{C}$					
		in-rush	W	23...68	
		holding	W	1.2...1,9	
Max cycles frequency					
Mechanical operation				cycles/h	1500
Operating times					
Average time for Us control					
	in AC				
		Closing NO			
		min	ms	12	
		max	ms	28	
		Opening NO			
		min	ms	8	
		max	ms	22	
	in DC				
		Closing NO			
		min	ms	40	
		max	ms	85	
		Opening NO			
		min	ms	20	
		max	ms	55	
UL technical data					
Full-load current (FLA) for three-phase AC motor					
		at 480V	A	52	
		at 600V	A	41	
Yielded mechanical performance					
	for single-phase AC motor				
		110/120V	HP	5	
		230V	HP	10	
	for three-phase AC motor				
		200/208V	HP	15	
		220/230V	HP	20	
		460/480V	HP	40	
		575/600V	HP	40	
General USE					
	Contactor				
		AC current	A	90	
Short-circuit protection fuse, 600V					
	High fault				
		Short circuit current	kA	100	
		Fuse rating	A	150	

	Fuse class	J
Standard fault		
Short circuit current	kA	5
Fuse rating	A	150
Fuse class		RK5

Ambient conditions

Temperature

Operating temperature

min	°C	-40
max	°C	70

Storage temperature

min	°C	-50
max	°C	80

Max altitude

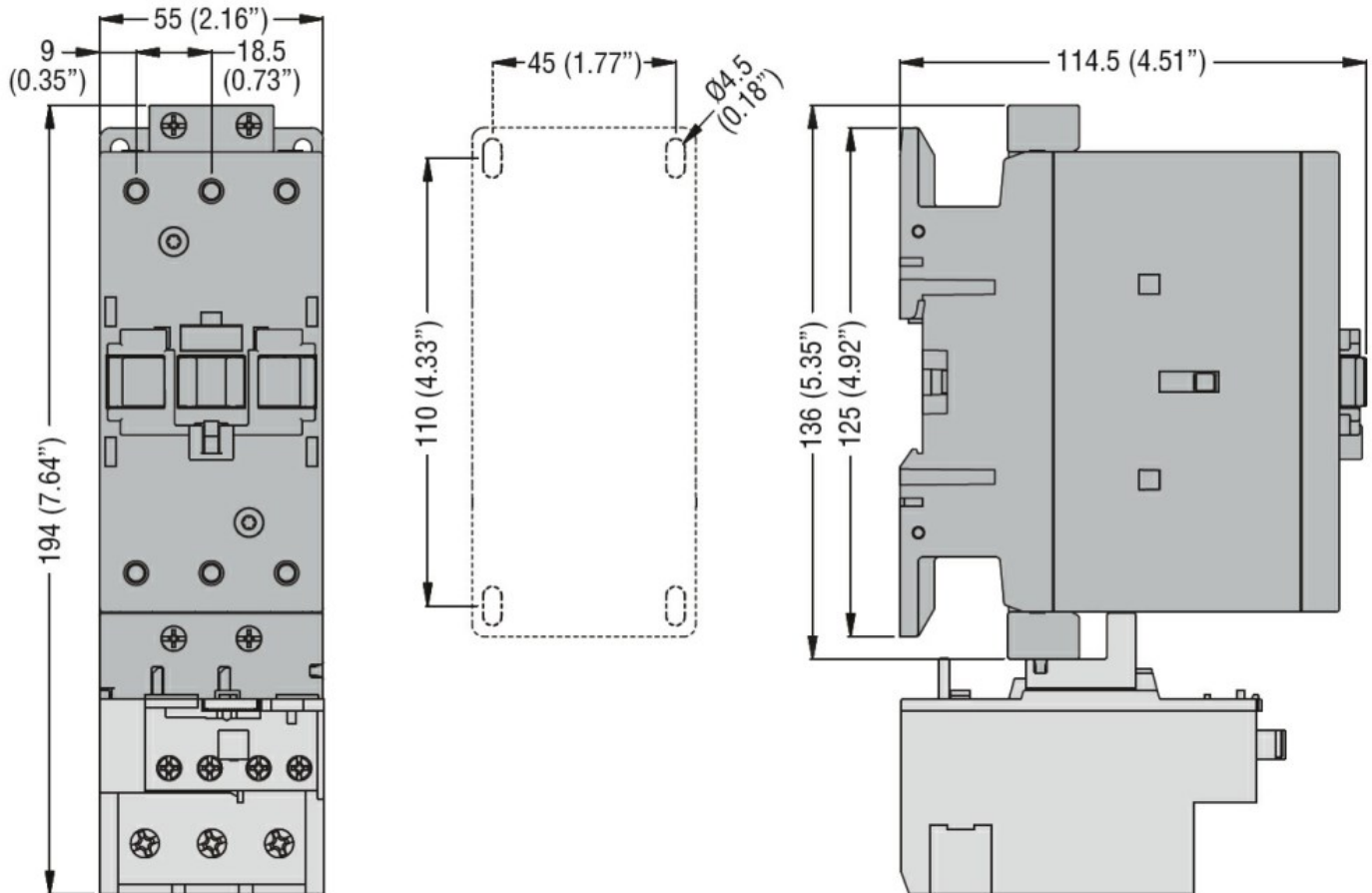
m 3000

Resistance & Protection

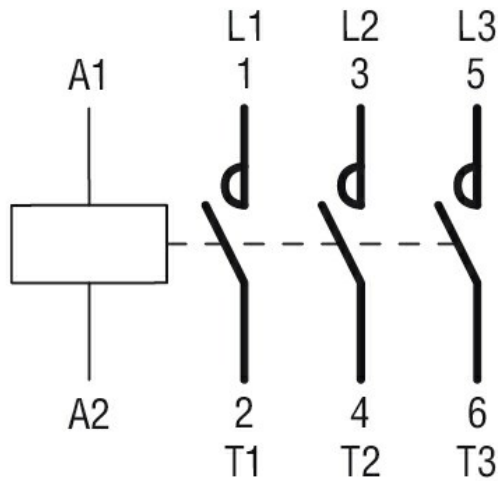
Pollution degree

3

Dimensions [mm (in)]



Wiring diagrams



Certifications and compliance

Compliance

CSA C22.2 n° 60947-1

CSA C22.2 n° 60947-4-1

IEC/EN/BS 60947-1

IEC/EN/BS 60947-4-1

UL 60947-1

UL 60947-4-1

Certificates

CCC

cULus

ETIM classification

ETIM 8.0

EC000066 -
Power contactor,
AC switching