



Expansion modules for flush-mount products - communication port EXP1012

Product designation

Product type designation

**General characteristics**

Description		Opto-isolated RS485 interface
Functions		Communication ports
Compatibility with LOVATO Electric product		
IP		
	PMVF20	Yes
	PMVF30	Yes
Digital multimeters		
	DMG 600/601/611	Yes
	DMG 800	Yes
Digital power analyzers		
	DMG 900	Yes
	DMG 900T	Yes
	DMG7000	Yes
	DMG7500	Yes
	DMG8000	Yes
	DMG9000	Yes
Automatic power factor controllers		
	DCRL 3/5	Yes
	DCRG 8	Yes
Automatic transfer switch controllers		
	ATL610	Yes
	ATL 800/900	Yes
Fire pump controllers		
	FFL RA 400	Yes
Engine and generator controllers		
	RGK 610	Yes
	RGK 750 / RGK 8 / RGK 9	Yes

**Communications**

Type of communication port Serial

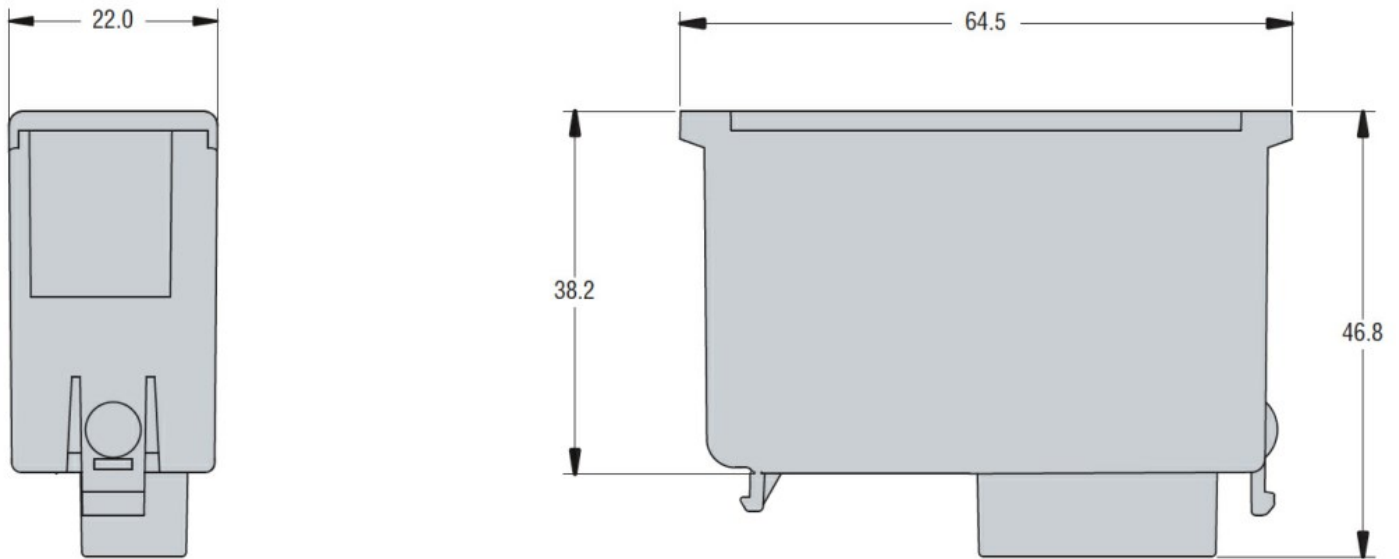
**Interface**

RS485 communication Yes

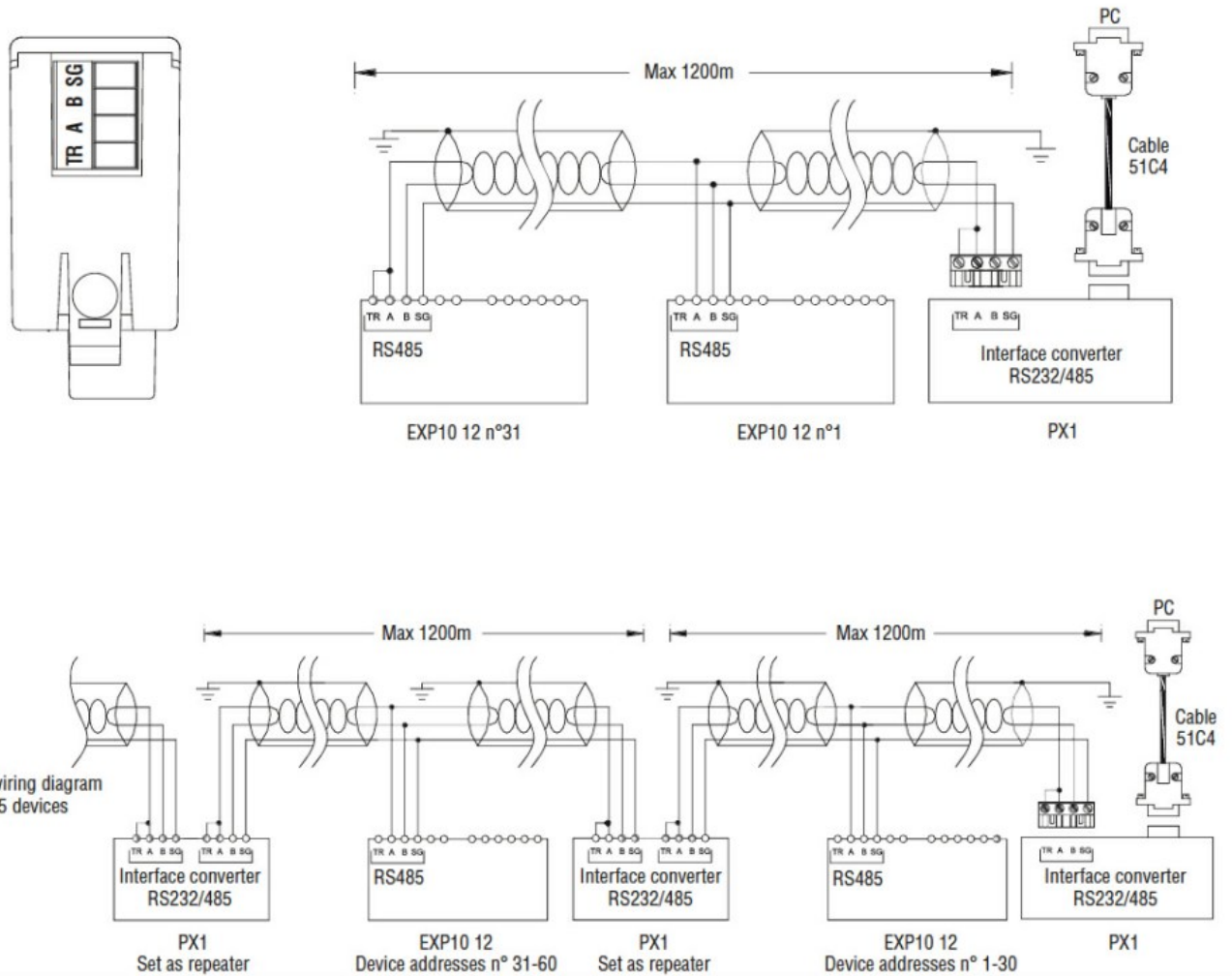
**Mechanical features**

Weight g 50

**Dimensions [mm (in)]**



**Wiring diagrams**



**Certifications and compliance**

**Compliance**

- CSA C22.2 n° 14
- IEC/EN 61000-6-2
- IEC/EN 61000-6-3
- IEC/EN 61010-1
- UL508

---

Certificates

cULus

---

EAC

ETIM classification

ETIM 8.0

EC002498 -  
Accessories/spare  
parts for low-  
voltage switch  
technology