



Translation

(1) **EU-Type Examination Certificate**

(2) Equipment and protective systems intended for use in potentially explosive atmospheres, **Directive 2014/34/EU**

(3) **Certificate Number** TÜV 14 ATEX 143125 **Issue:** 01
(4) for the product: Magnetic NAMUR-cylinder sensor type MZT8-2V8-N-K**
(5) of the manufacturer: **SICK AG**
(6) Address: Erwin-Sick-Str.1
79183 Waldkirch
Germany

Order number: 8003040220
Date of issue: 2022-03-07

(7) The design of this product and any acceptable variation thereto are specified in the schedule to this EU-Type Examination Certificate and the documents therein referred to.

(8) The TÜV NORD CERT GmbH, Notified Body No. 0044, in accordance with Article 17 of the Directive 2014/34/EU of the European Parliament and the Council of 26 February 2014, certifies that this product has been found to comply with the Essential Health and Safety Requirements relating to the design and construction of products intended for use in potentially explosive atmospheres given in Annex II to the Directive.

The examination and test results are recorded in the confidential ATEX Assessment Report No. 22 203 312197.

(9) Compliance with the Essential Health and Safety Requirements has been assured by compliance with:

EN IEC 60079-0:2018/AC:2020-02

EN 60079-11:2012

except in respect of those requirements listed at item 18 of the schedule.

(10) If the sign "X" is placed after the certificate number, it indicates that the product is subject to the Specific Conditions for Use specified in the schedule to this certificate.

(11) This EU-Type Examination Certificate relates only to the design, and construction of the specified product. Further requirements of the Directive apply to the manufacturing process and supply of this equipment. These are not covered by this certificate.

(12) The marking of the product shall include the following:



II 1 G Ex ia IIC T4 Ga

II 1 D Ex ia IIIC T₂₀₀135°C Da

TÜV NORD CERT GmbH, Am TÜV 1, 45307 Essen, notified by the central office of the countries for safety engineering (ZLS), Ident. Nr. 0044, legal successor of the TÜV NORD CERT GmbH & Co. KG Ident. Nr. 0032

The deputy of the head of the notified body

Heinen

Hanover office, Am TÜV 1, 30519 Hannover, Tel. +49 511 998-61455, Fax +49 511 998-61590

(13) **SCHEDULE**

(14) **EU-Type Examination Certificate No. TÜV 14 ATEX 143125**

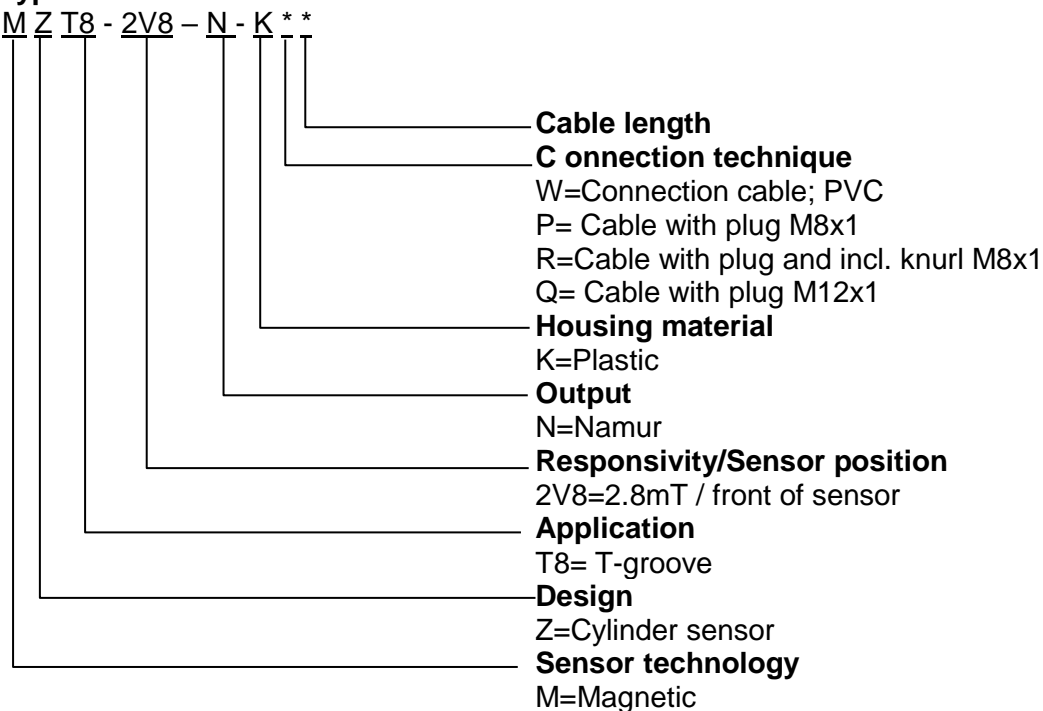
Issue 01

(15) **Description of product:**

The magnetic NAMUR-cylinder sensor type MZT8-2V8-N-K** is designed to detect magnetic fields in hazardous areas.

Type code:

M Z T8 - 2V8 - N - K * *



Cable variants:	
MZT8-2V8-N-KW 0	2m cable
MZT8-2V8-N-KW A	3m cable
MZT8-2V8-N-KW B	5m cable
MZT8-2V8-N-KW DS01	6m cable
MZT8-2V8-N-KW DS02	7m cable
MZT8-2V8-N-KW DS03	10m cable
Cable and plug variants	
MZT8-2V8-N-KP0	M8-plug + 0.3m cable
MZT8-2V8-N-KR0	M8- plug inclusive knurl + 0.5m cable
MZT8-2V8-N-KQ0	M12-plug + 0.3m cable

Schedule to EU-Type Examination Certificate No. TÜV 14 ATEX 143125 Issue 01

Electrical data:

Signal and supply circuit
(Cable tail or plug)

In type of protection Intrinsic Safety Ex ia IIC/IIIC
Only for the connection to certified intrinsically safe
circuits.

Maximum values:

$$U_i = 20 \text{ V}$$

$$I_i = 60 \text{ mA}$$

$$P_i = 100 \text{ mW}$$

Effective internal capacitance

$$C_i = 130 \text{ nF}$$

Effective internal inductances

$$L_i = 10 \text{ } \mu\text{H}$$

Thermal data:

Permissible ambient temperature range during operation: $-25 \text{ }^\circ\text{C} \leq T_a \leq +80 \text{ }^\circ\text{C}$

- (16) Drawings and documents are listed in the ATEX Assessment Report No. 22 203 312197
- (17) **Specific Conditions for Use:**
None.
- (18) **Essential Health and Safety Requirements:**
No additional ones.

- End of EU-Type Examination Certificate -