

TBS

Temperature Switch
Temperaturschalter



Operating instructions
Betriebsanleitung



GB
D

GB	Operating instructions model TBS	Page	4 - 29
D	Betriebsanleitung Typ TBS	Seite	30 - 55

Prior to starting any work, read the operating instructions!
Keep for later use!
Declarations of conformity can be found online at www.sick.com.

Vor Beginn aller Arbeiten Betriebsanleitung lesen!
Zum späteren Gebrauch aufbewahren!
Konformitätserklärungen finden Sie online unter www.sick.de.

Contents	Page 4-29	GB
1. General information		4
2. Safety		6
3. Specifications		9
4. Design and function		15
5. Transport, packaging and storage		16
6. Commissioning, operation		16
7. Maintenance and cleaning		26
8. Faults		27
9. Dismounting, return and disposal		29

Inhalt	Seiten 30-55	DE
1. Allgemeines		30
2. Sicherheit		32
3. Technische Daten		35
4. Aufbau und Funktion		41
5. Transport, Verpackung und Lagerung		42
6. Inbetriebnahme, Betrieb		42
7. Wartung und Reinigung		52
8. Störungen		53
9. Demontage, Rücksendung und Entsorgung		55

1. General information

- The temperature switch described in the operating instructions has been designed and manufactured using state-of-the-art technology. All components are subject to stringent quality and environmental criteria during production. Our management systems are certified to ISO 9001 and ISO 14001.
- These operating instructions contain important information on handling the instrument. Working safely requires that all safety instructions and work instructions are observed.
- Observe the relevant local accident prevention regulations and general safety regulations for the instrument's range of use.
- The operating instructions are part of the product and must be kept in the immediate vicinity of the instrument and readily accessible to skilled personnel at any time.
- Skilled personnel must have carefully read and understood the operating instructions prior to beginning any work.
- The manufacturer's liability is void in the case of any damage caused by using the product contrary to its intended use, non-compliance with these operating instructions, assignment of insufficiently qualified skilled personnel or unauthorised modifications to the instrument.
- The general terms and conditions contained in the sales documentation shall apply.
- Subject to technical modifications.
- Further information:

Internet address: www.sick.com

Conformities and certificates

You can obtain declarations of conformity, certificates, and the current operating instructions for the product at www.sick.com. To do so, enter the product part number in the search field (part number: see the entry in the "P/N" or "Ident. no." field on the type label).

Explanation of symbols



WARNING!

... indicates a potentially dangerous situation that can result in serious injury or death, if not avoided.



CAUTION!

... indicates a potentially dangerous situation that can result in light injuries or damage to equipment or the environment, if not avoided.



Information

... points out useful tips, recommendations and information for efficient and trouble-free operation.



CAUTION!

... indicates a potentially dangerous situation that can result in burns, caused by hot surfaces or liquids, if not avoided.

Abbreviations

L ⁺	Positive power terminal
M	Negative power terminal
Q _A	Analogue output
C/Q ₁ '	Switching output 1 For variants with IO-Link: IO-Link communication/switching output 1
Q ₂	Switch point 2
SP ₁ '	Switching point 1
SP ₂ '	Switching point 2
MBA	Start of measuring range
MBE	End of measuring range

2. Safety

**WARNING!**

Before installation, commissioning and operation, ensure that the appropriate temperature switch has been selected in terms of measuring range, design and specific measuring conditions.

Non-observance can result in serious injury and/or damage to the equipment.

**WARNING!**

Observe the working conditions in accordance with chapter 3 „Specifications“.



Further important safety instructions can be found in the individual chapters of these operating instructions.

2.1 Intended use

The temperature switch is used to convert temperature into an electrical signal indoors and outdoors.

The instrument has been designed and built solely for the intended use described here, and may only be used accordingly.

The technical specifications contained in these operating instructions must be observed. Improper handling or operation of the temperature switch outside of its technical specifications requires the instrument to be taken out of service immediately and inspected by an authorized SICK service engineer.

The manufacturer shall not be liable for claims of any type based on operation contrary to the intended use.

2.2 Personnel qualification



WARNING!

Risk of injury should qualification be insufficient!

Improper handling can result in considerable injury and damage to equipment.

The activities described in these operating instructions may only be carried out by skilled personnel who have the qualifications described below.

Skilled personnel

Skilled personnel are understood to be personnel who, based on their technical training, knowledge of measurement and control technology and on their experience and knowledge of country-specific regulations, current standards and directives, are capable of carrying out the work described and independently recognizing potential hazards.

Special operating conditions require further appropriate knowledge, e.g. of aggressive media.

2.3 Special hazards



WARNING!

For hazardous media such as oxygen, acetylene, flammable or toxic gases or liquids, and refrigeration plants, compressors, etc., in addition to all standard regulations, the appropriate existing codes or regulations must also be followed.



WARNING!

Residual media in the dismantled temperature switch can result in a risk to persons, the environment and equipment.

Take sufficient precautionary measures.

2.4 Safety marks

Explanation of symbols



General danger symbol



CE, Communauté Européenne

Instruments bearing this mark comply with the relevant European directives.

3. Specifications

Features	
Measuring range	-20 °C ... + 80 °C (-20 °C ... + 120 °C optional)
Sensor element	Pt1000, 2-wire, class A according to IEC 60751
Output signals	<p>2 x PNP 1 x PNP + 4...20 mA 1 x PNP + 0...10 V 2 x PNP + 4...20 mA 2 x PNP + 0...10 V 2 x NPN 1 x NPN + 4...20 mA 1 x NPN + 0...10 V 2 x NPN + 4...20 mA 2 x NPN + 0...10 V</p> <p>IO-Link, revision 1.1 (option) (IO-Link is optionally available for all output signals. With the IO-Link option, switching output SP₁ is always PNP.)</p>
Switching points	<p>Type: transistor switching output PNP or NPN Quantity: 1 or 2 Function: normally open / normally closed; windows- and hysteresis function freely adjustable Contact rating: supply voltage L⁺ - 1 V [V DC] Max. switching current: without IO-Link 250 mA /with IO-Link SP₁ max. 100 mA, SP₂ max. 250 mA Switching delay: 0 ... 50 s (adjustable) Individually adjustable via control buttons Setting accuracy: 0.1 °C</p>
Temperature offset	± 3 °C
Scaling of temperature range	<p>Zero: max. +25 % of span Full scale: max. -25 % of span</p>
Display	<p>14-segment LED, blue, 4-digits, height 9 mm Display electronically turnable by 180° Update: 200 ms</p>
Rotatable housing	<p>Display against housing with electrical connection: 330° Housing against process connection: 320°</p>

Performance

Accuracy of sensor element	$\leq \pm (0.15 \text{ } ^\circ\text{C} + 0.002 t)$ ¹⁾
Accuracy of switching output	$\leq \pm 0.8 \%$ of span
Display accuracy	$\leq \pm 0.8 \%$ of span ± 1 digit
Accuracy of optional analog output	$\leq \pm 0.5 \%$ of span
Response time t50	≤ 5 s
Response time t90	≤ 10 s

¹⁾ |t| is the absolute value of the temperature in $^\circ\text{C}$

²⁾ Depending on sensor configuration, according to IEC 60751

Mechanics/electronics

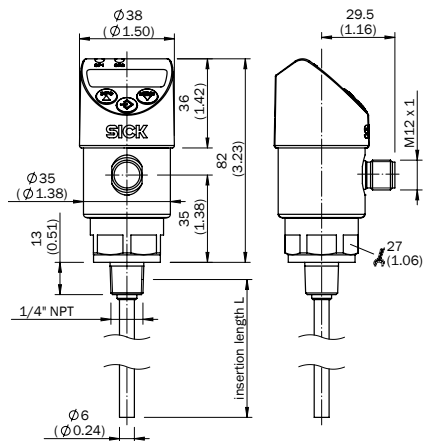
Process connection	G 1/4 A according to DIN 3852-E G 1/2 A according to DIN 3852-E Compression fitting, G 1/2 A (for measuring range $-20 \text{ } ^\circ\text{C} \dots + 120 \text{ } ^\circ\text{C}$) Compression fitting, G 1/4 A (for measuring range $-20 \text{ } ^\circ\text{C} \dots + 120 \text{ } ^\circ\text{C}$) 1/4" NPT 1/2" NPT
Insertion lengths/diameter of probe	25 mm / 6 mm (not suitable for measuring range $-20 \text{ } ^\circ\text{C} \dots + 120 \text{ } ^\circ\text{C}$) 50 mm / 6 mm (not suitable for measuring range $-20 \text{ } ^\circ\text{C} \dots + 120 \text{ } ^\circ\text{C}$) 100 mm / 6 mm 150 mm / 6 mm 250 mm / 6 mm 350 mm / 6 mm
Wetted parts	Stainless steel 1.4571 (AISI 316Ti)
Maximum process pressure ¹⁾	150 bar Compression fitting mx. 50 bar, at $120 \text{ } ^\circ\text{C}$
Housing material	Lower body: stainless steel 1.4301 (AISI 304) Plastic head: PC + ABS Buttons: TPE-E Display window: PC
Enclosure rating ²⁾	IP 65 and IP 67
Maximum ohmic load R_A	$< 0.5 \text{ k}\Omega$ for output signal 4 mA ... 20 mA $> 10 \text{ k}\Omega$ for output signal 0 V ... 10 V $\leq 100 \text{ k}\Omega$ (switching outputs)

Electrical connection	Round connector M12 x 1, 4-pin Round connector M12 x 1, 5-pin (only for variants with two switching outputs and one analog output)
Supply voltage	15 V DC ... 35 V DC
Maximum current consumption	45 mA (for configurations without analog signal output) 70 mA (for configurations with analog signal output) IO-Link option causes a deviating current consumption.
Total current consumption	without IO-Link max. 600 mA / with IO-Link 450 mA (incl. switching current)
Electrical safety	Protection class: III Isolation voltage: 500 V DC Overvoltage protection: 40 V DC Short-circuit protection: Q _A , Q ₃ , Q ₂ towards M Reverse polarity protection: L ⁺ towards M
RoHS	✓

¹⁾ At room temperature and when connected through thread.

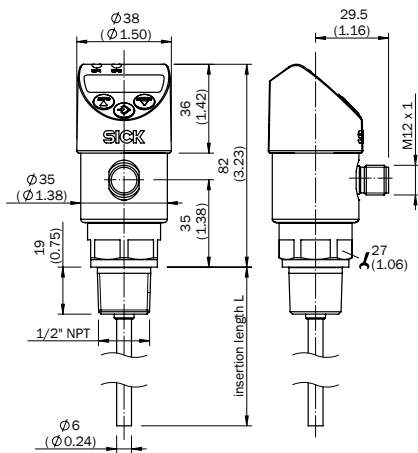
²⁾ Enclosure rating IP per IEC 60529. The enclosure rating classes specified only apply while the thermometer is connected with female connectors that provide the corresponding enclosure rating.

TBS with connection 1/4" NPT



All dimensions in mm (inch)

TBS with connection 1/2" NPT



All dimensions in mm (inch)

4. Design and function

4.1 Description

By means of a measuring element (Pt1000) and by supplying power, the prevailing temperature is converted into a switching signal or an amplified standardized electrical signal via the change in resistance of the measuring element. This electrical signal varies in proportion to the temperature and can be evaluated accordingly.

4.2 Scope of delivery

Cross-check scope of delivery with the delivery note.

5. Transport, packaging and storage

5.1 Transport

Check the temperature switch for any damage that may have been caused by transport.

Obvious damage must be reported immediately.

5.2 Packaging

Do not remove packaging until just before mounting.

Keep the packaging as it will provide optimum protection during transport (e.g. change in installation site, sending for repair).

5.3 Storage

Permissible conditions at the place of storage:

- Storage temperature: -20 ... +80 °C
- Humidity: 45 ... 75 % relative humidity



WARNING!

Before storing the instrument (following operation), remove any residual media. This is of particular importance if the medium is hazardous to health, e.g. caustic, toxic, carcinogenic, radioactive, etc.

6. Commissioning, operation

6.1 Mounting



Required tool: Open-ended spanner (spanner width 27)

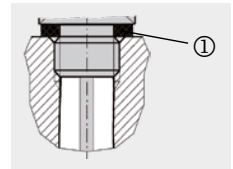
- The sealing faces at the temperature switch and the measuring point always have to be clean.
- Only ever screw in, or unscrew, the instrument via the spanner flats. Never use the case as a working surface.

- The correct torque depends on the dimensions of the process connection and the sealing used (form/material).
- When screwing in, do not cross the threads.
- The instrument must be grounded via the process connection.
- Attach the electrical connector and screw it in hand-tight.
- For high process or ambient temperatures appropriate care must be taken to ensure that the housing temperature of the device (taken at the hexagonal flats of the process connection) during permanent operation does not exceed 80 °C.
- The plastics housing of the TBS can be rotated against the stainless steel housing with the electrical connector. There is a perceptible stop/end position (in both directions). Under all circumstances the head must not be rotated beyond these stops/end positions.



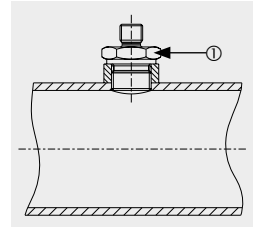
Seal

Correct sealing of the process connections with straight threads must be made using suitable flat gaskets, sealing rings or profile sealings. The sealing of tapered threads (e.g. NPT threads) is made by providing the thread with additional sealing material such as, for example, PTFE tape (EN 837-2).

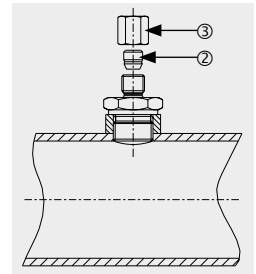


Compression fitting

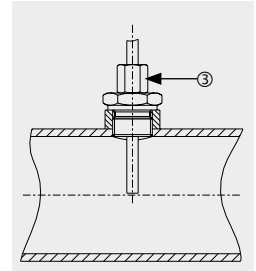
1. Screw the compression fitting (1) into the process connection and tighten.



2. Insert the tapered side of the ferrule (2) into the fitting and screw on the union nut (3) hand-tight.



3. Insert the temperature switch into the fitting and maintain it at the required immersion depth. Tighten the union nut (3) with approx. 50 Nm.



4. Optional

Check the assembly: Loosen the union nut. The ferrule is firmly connected to the sensor tube.

Making the electrical connection

- The instrument must be earthed via the process connection.
- The power supply for the temperature switch must be made via an energy-limited electrical circuit in accordance with section 9.3 of UL/EN/IEC 61010-1 or an LPS to UL/EN/IEC 60950-1 or class 2 in accordance with UL1310/UL1585 (NEC or CEC).
- The power supply must be suitable for operation above 2,000 m should the temperature switch be used at this altitude.
- For cable outlets, make sure that no moisture enters at the cable end.

Connection diagrams

Round connector M 12 x 1, 4-pin



Assignment

L ⁺	M	Q _A	C/Q ₁	Q ₂
1	3	2	4	2

Round connector M 12 x 1, 5-pin



Assignment

L ⁺	M	Q _A	C/Q ₁	Q ₂
1	3	5	4	2

6.2 Operating modes

System start

- Display is fully activated for 2 seconds.
- When the temperature switch is powered up within the range of the hysteresis, the output switch is set to "not active" by default.

Display mode

Normal operation, display temperature value

Programming mode

Setting the parameters

6.3 Keys and functions

The temperature switch has two operating modes, the display mode and the programming mode. The selected operating mode determines the respective function of the key.



Jumping in the programming mode

Keep the "MENU" key pressed for approx. 5 seconds. If the password is set to ≠ 0000, a password will be requested first-hand. If authentication is successful, then it enters the programming mode, otherwise it reverts to display mode.



Returning to the display mode

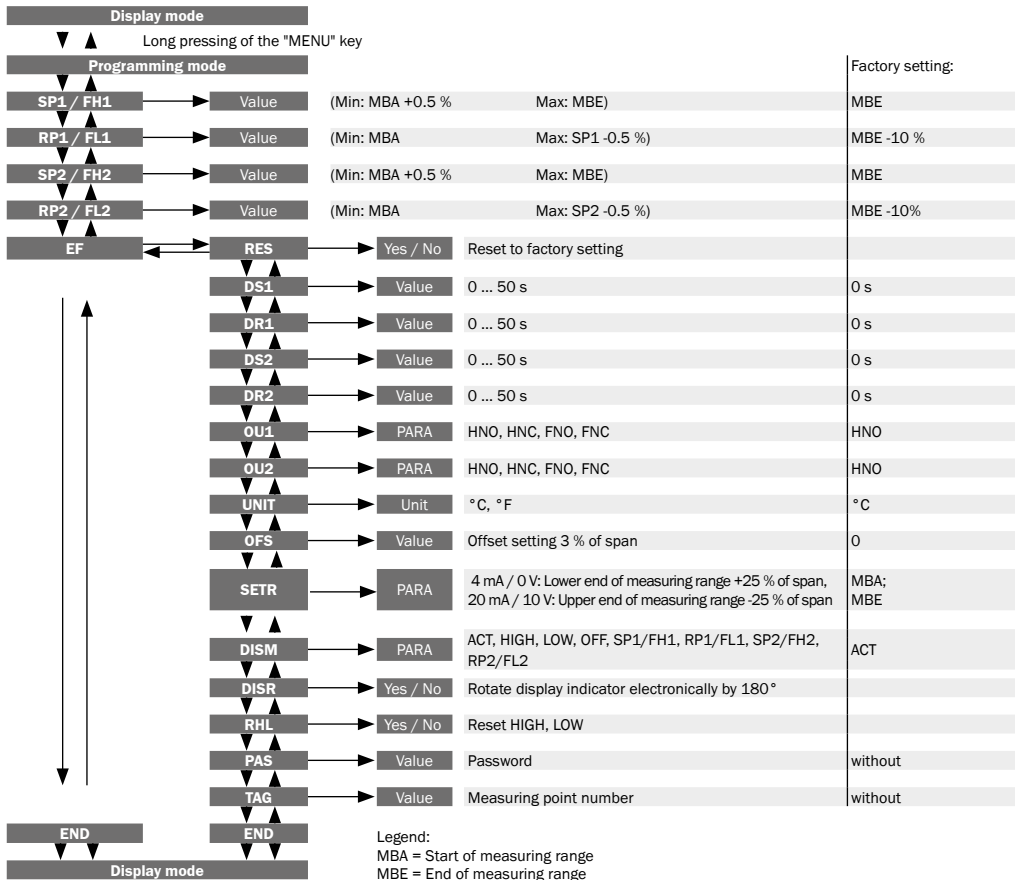
Simultaneous pressing of both keys.



6.4 Parameters

Parameter	Description
SP1 / SP2	Hysteresis function: Switch point switching output (1 or 2)
FH1 / FH2	Window function: Window high switching output (1 or 2)
RP1 / RP2	Hysteresis function: Reset point switching output (1 or 2)
FL1 / FL2	Window function: Window low switch output (1 or 2)
EF	Extended programming functions
RES	Return the set parameter to the factory settings
DS1 / DS2	Switch delay time, which must occur without interruption before any electrical signal change occurs (SP1 or SP2)
DR1 / DR2	Switch delay time, which must occur without interruption before any electrical signal change occurs (RP1 or RP2)
OU1	Switching function switching output (1 or 2)
OU2	HNO = hysteresis function, normally open HNC = hysteresis function, normally closed FNO = window function, normally open FNC = window function, normally closed
UNIT	Changing units
OFS	Offset adjustment (3 % of span)
SETR	Scaling of analog output signal: "4 mA" and "0V": selection at which temperature the output signal is 4 mA or 0 V, respectively "20 mA" and "10V": selection at which temperature the output signal is 20 mA or 10 V, respectively
DISM	Display value in display mode ACT = Actual temperature value; LOW, HIGH = Minimum, Maximum temperature value; OFF = display off; SP1 / FH1 = function switch point 1, RP1 / FL1 = function reset point 1, SP2 / FH2 = function switch point 2, RP2 / FL2 = function reset point 2
DISR	Rotate display indicator electronically by 180°
RHL	Clear the Min- and Max-value memories
PAS	Password input, 0000 = no password Password input digit by digit
TAG	Input of a 16-figure alphanumeric measuring point number

Menu (programming and factory setting)



6.5 Switching functions

Hysteresis function

If the system temperature fluctuates around the set point, the hysteresis keeps the switching status of the outputs stable. With increasing system temperature, the output switches when reaching the switch point (SP).

- Switch normally open (HNO): active
- Switch normally closed (HNC): inactive

With system temperature falling again, the output will not switch back before the reset point (RP) is reached.

- Switch normally open (HNO): inactive
- Switch normally closed (HNC): active

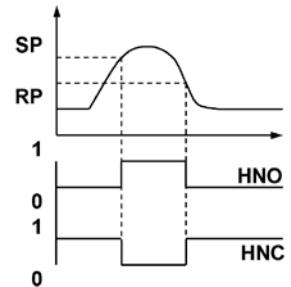


Fig.: Hysteresis function

Window function

The window function allows for the control of a defined range.

When the system temperature is between window High (FH) and window Low (FL), the output switches on.

- Switch normally open (FNO): active
- Switch normally closed (FNC): inactive

When the system temperature is outside window High (FH) and window Low (FL), the output does not switch on.

- Switch normally open (FNO): inactive
- Switch normally closed (FNC): active

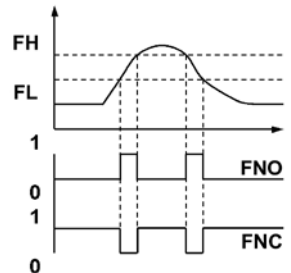


Fig.: Window function

6.6 Delay times (0 ... 50 s)

This makes it possible to filter out temperature increases peaks of a short duration or a high frequency (damping).

The temperature must be present for at least a certain pre-set time for the output to switch on. The output does not immediately change its status when it reaches the switching event (SP), but rather only after the pre-set delay time (DS).

If the switching event is no longer present after the delay time, the switch output does not change.

The output only switches back when the system temperature has fallen down to the reset point (PR) and stays at or below the reset point (RP) for at least the pre-set delay time (DR).

If the switching event is no longer present after the delay time, the switch output does not change.

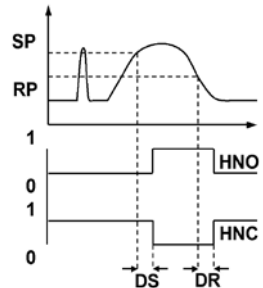


Fig.: Delay times

6.7 Description of IO-Link functionality (if available)

A description of the IO-Link functions of the TBS and the corresponding IODD (IO-Link Device Description) file can be downloaded at www.sick.com.

Physical Layer

SIO Mode	yes
Min. cycle time	2.3 ms
Data rate	COM2 (38.4 kBaud)
Process data format	16 bit (frame type 2.2)

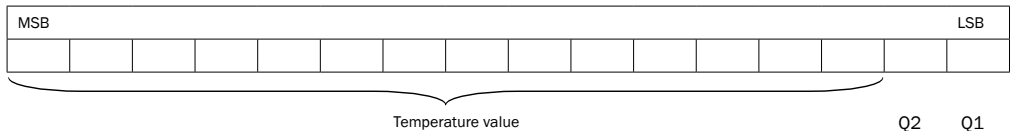
Process Data

The SICK temperature switch TBS has one or two digital outputs. Both switching outputs are transmitted as process data via IO-Link. The switching output Q2 is also available at pin 2 of the M12 connector. In the SIO

mode the switching output C/Q1 is available at pin 4 of the M12 connector.

In the communication mode this pin is exclusively used for communication. Information from the temperature switch are transmitted using „frame type 2.2“. Bit0 contains the switching state of switch Q1 whereas bit2 contains the switching state of switch Q2. The digit 1 corresponds to the logical state „closed“ or to +24V on the corresponding output, respectively.

The remaining 14 bits reflect the analog measurement value of the temperature switch. The analog temperature measurement value is mapped to a range of 0 to 10000 (digits). The lower end of the measuring range (MBA) corresponds to the value 1000 whereas the upper end of the measuring range (MBE) corresponds to 9000. Hence, it is required to know the measuring range of the sensor in order to translate the transmitted continuous measurement signal into the actual temperature.



7.1 Maintenance

The temperature switch is maintenance-free.

Repairs must only be carried out by the manufacturer.

7.2 Cleaning



CAUTION!

- Clean the instrument with a moist cloth.
- Electrical connections must not come into contact with moisture.
- Wash or clean the dismantled instrument before returning it in order to protect personnel and the environment from exposure to residual media.
- Residual media in the dismantled temperature switch can result in a risk to persons, the environment and equipment. Take sufficient precautionary measures.



For information on returning the instrument see chapter 9.2 "Return".

8. Faults



In the event of any faults, first check whether the temperature switch is mounted correctly, mechanically and electrically.

Error display

Via the instrument's display internal errors are output.

The following table shows the error codes and their meaning.

Error code	Description
ATT1	On changing the switch point, the system automatically reduces the reset point
ATT3	Password entered for menu access is incorrect
ERR	Internal error
OL	Measuring range exceeded > approx. 5 % (display blinks)
UL	Below measuring range < approx. 5 % (display blinks)

Acknowledgement of an error display by pressing the „Enter“ key.

Problem	Possible cause	Measure
No output signal	Cable break	Check the through drilling
No output signal / line break	Mechanical load too high	Replace sensor with a suitable design
No output signal	No / wrong power supply	Rectify the power supply
No / wrong output signal	Wiring error	Observe the pin assignment
Wrong output signal	Process temperature out of range; Sensor drift caused by overtemperature Sensor burnout/short circuit	Check temperature range Send the instrument to the manufacturer
Wrong output signal	Sensor drift caused by chemical attack	Check media compatibility
Wrong output signal and too long response time	Wrong mounting geometry, for example mounting depth too deep or heat dissipation too high Deposit on the sensor	Move the temperature-sensitive area of the sensor into the medium Remove deposit
Signal span too small	Power supply too high / low	Rectify the power supply
Signal span drops	Humidity has entered	Assemble the cable correctly

CAUTION!

If faults cannot be eliminated by means of the measures listed above, the temperature switch must be shut down immediately, and it must be ensured that signal is no longer present, and it must be prevented from being inadvertently put back into service. In this case, contact the manufacturer. If a return is needed, follow the instructions given in chapter 9.2 "Return".

9. Dismounting, return and disposal



WARNING!

Residual media in the dismantled temperature switch can result in a risk to persons, the environment and equipment.

Take sufficient precautionary measures.

9.1 Dismounting



WARNING!

Risk of burns!

Let the instrument cool down sufficiently before dismantling it!

During dismantling there is a risk of dangerously hot pressure media escaping.

9.2 Return



WARNING!

Strictly observe the following when shipping the instrument:

All instruments delivered to SICK must be free from any kind of hazardous substances (acids, leachate, solutions, etc.).

When returning the instrument, use the original packaging or a suitable transport package.

Enclose the complete and signed-off non-risk declaration form with the instrument.



The non-risk declaration form can be found at www.sick.com.

9.3 Disposal

Incorrect disposal can put the environment at risk.

Dispose of instrument components and packaging materials in an environmentally compatible way and in accordance with the country-specific waste disposal regulations.

1. Allgemeines

- Der in der Betriebsanleitung beschriebene Temperaturschalter wird nach den neuesten Erkenntnissen konstruiert und gefertigt.
Alle Komponenten unterliegen während der Fertigung strengen Qualitäts- und Umweltkriterien. Unsere Managementsysteme sind nach ISO 9001 und ISO 14001 zertifiziert.
- Diese Betriebsanleitung gibt wichtige Hinweise zum Umgang mit dem Gerät. Voraussetzung für sicheres Arbeiten ist die Einhaltung aller angegebenen Sicherheitshinweise und Handlungsanweisungen.
- Die für den Einsatzbereich des Gerätes geltenden örtlichen Unfallverhütungsvorschriften und allgemeinen Sicherheitsbestimmungen einhalten.
- Die Betriebsanleitung ist Produktbestandteil und muss in unmittelbarer Nähe des Gerätes für das Fachpersonal jederzeit zugänglich aufbewahrt werden.
- Das Fachpersonal muss die Betriebsanleitung vor Beginn aller Arbeiten sorgfältig durchgelesen und verstanden haben.
- Die Haftung des Herstellers erlischt bei Schäden durch bestimmungswidrige Verwendung, Nichtbeachten dieser Betriebsanleitung, Einsatz ungenügend qualifizierten Fachpersonals sowie eigenmächtiger Veränderung am Gerät.
- Es gelten die allgemeinen Geschäftsbedingungen in den Verkaufsunterlagen.
- Technische Änderungen vorbehalten.

- Weitere Informationen:

Internet-Adresse: www.sick.de

Konformitäten und Zertifikate

Auf www.sick.com finden Sie Konformitätserklärungen, Zertifikate und die aktuelle Betriebsanleitung des Produkts. Dazu im Suchfeld die Artikelnummer des Produkts eingeben (Artikelnummer: siehe Typenschild-eintrag im Feld „P/N“ oder „Ident. no.“).

Symbolerklärung



WARNUNG!

... weist auf eine möglicherweise gefährliche Situation hin, die zum Tod oder zu schweren Verletzungen führen kann, wenn sie nicht gemieden wird.



VORSICHT!

... weist auf eine möglicherweise gefährliche Situation hin, die zu geringfügigen oder leichten Verletzungen bzw. Sach- und Umweltschäden führen kann, wenn sie nicht gemieden wird.



Information

... hebt nützliche Tipps und Empfehlungen sowie Informationen für einen effizienten und störungsfreien Betrieb hervor.



VORSICHT!

... weist auf eine möglicherweise gefährliche Situation hin, die durch heiße Oberflächen oder Flüssigkeiten zu Verbrennungen führen kann, wenn sie nicht gemieden wird.

Abkürzungen

L ⁺	Positiver Versorgungsanschluss
M	Negativer Versorgungsanschluss
Q _A	Analogausgang
C/Q ₁	Schaltausgang 1
Q ₂	Schaltpunkt 2
SP ₁	Schaltpunkt 1
SP ₂	Schaltpunkt 2
MBA	Messbereichsanfang
MBE	Messbereichsende

2. Sicherheit



WARNUNG!

Vor Montage, Inbetriebnahme und Betrieb sicherstellen, dass der richtige Temperaturschalter hinsichtlich Messbereich, Ausführung und spezifischen Messbedingungen ausgewählt wurde. Bei Nichtbeachten können schwere Körperverletzungen und/oder Sachschäden auftreten.



WARNUNG!

Betriebsparameter gemäß Kapitel 3 „Technische Daten“ beachten.



Weitere wichtige Sicherheitshinweise befinden sich in den einzelnen Kapiteln dieser Betriebsanleitung.

2.1 Bestimmungsgemäße Verwendung

Der Temperaturschalter dient zum Umwandeln von Temperatur in ein elektrisches Signal im Innen- und Außenbereich.

Das Gerät ist ausschließlich für den hier beschriebenen bestimmungsgemäßen Verwendungszweck konzipiert und konstruiert und darf nur dementsprechend verwendet werden.

Die technischen Spezifikationen in dieser Betriebsanleitung sind einzuhalten. Eine unsachgemäße Handhabung oder ein Betreiben des Temperaturschalters außerhalb der technischen Spezifikationen macht die sofortige Stilllegung und Überprüfung durch einen autorisierten SICK-Servicemitarbeiter erforderlich.

Ansprüche jeglicher Art aufgrund von nicht bestimmungsgemäßer Verwendung sind ausgeschlossen.

2.2 Personalqualifikation



WARNUNG!

Verletzungsgefahr bei unzureichender Qualifikation!

Unsachgemäßer Umgang kann zu erheblichen Personen- und Sachschäden führen.

Die in dieser Betriebsanleitung beschriebenen Tätigkeiten nur durch Fachpersonal nachfolgend beschriebener Qualifikation durchführen lassen.

Fachpersonal

Das Fachpersonal ist aufgrund seiner fachlichen Ausbildung, seiner Kenntnisse der Mess- und Regelungstechnik und seiner Erfahrungen sowie Kenntnis der landesspezifischen Vorschriften, geltenden Normen und Richtlinien in der Lage, die beschriebenen Arbeiten auszuführen und mögliche Gefahren selbstständig zu erkennen.

Spezielle Einsatzbedingungen verlangen weiteres entsprechendes Wissen, z. B. über aggressive Medien.

2.3 Besondere Gefahren



WARNUNG!

Bei gefährlichen Messstoffen wie z. B. Sauerstoff, Acetylen, brennbaren oder giftigen Stoffen, sowie bei Kälteanlagen, Kompressoren etc. müssen über die gesamten allgemeinen Regeln hinaus die einschlägigen Vorschriften beachtet werden.



WARNUNG!

Messstoffreste im ausgebauten Temperaturschalter können zur Gefährdung von Personen, Umwelt und Einrichtung führen.
Ausreichende Vorsichtsmaßnahmen ergreifen.

2.4 Sicherheitskennzeichnungen

Symbolerklärung



Allgemeines Gefahrensymbol



CE, Communauté Européenne

Geräte mit dieser Kennzeichnung stimmen überein mit den zutreffenden europäischen Richtlinien.

3.Technische Daten

Merkmale	
Messbereich	-20 °C ... + 80 °C (-20 °C ... + 120 °C optional)
Messelement	Pt1000, 2-Leiter, Klasse A nach IEC 60751
Ausgangssignale	<p>2 x PNP 1 x PNP + 4...20 mA 1 x PNP + 0...10 V 2 x PNP + 4...20 mA 2 x PNP + 0...10 V 2 x NPN 1 x NPN + 4...20 mA 1 x NPN + 0...10 V 2 x NPN + 4...20 mA 2 x NPN + 0...10 V</p> <p>IO-Link, Revision 1.1 (Option) (IO-Link ist für alle Ausgangssignale optional verfügbar. Bei der Option IO-Link ist Schaltausgang SP₁ immer PNP.)</p>
Schaltausgang	<p>Typ: Transistorschaltausgang PNP oder NPN Anzahl: 1 oder 2 Funktion: Schließer / Öffner; Fenster-, Hysteresefunktion frei einstellbar Schaltspannung: Versorgungsspannung L+ - 1 V [V DC] Max. Schaltstrom: ohne IO-Link 250 mA; mit IO-Link SP₁ max. 100 mA, SP₂ max. 250 mA Schaltverzögerung: 0 ... 50 s (programmierbar) Individuell einstellbar über Bedientasten Einstellgenauigkeit Schaltausgang: 0,1 °C</p>
Temperaturoffset	± 3 °C
Messbereichskalierung	<p>Nullpunkt: max. +25 % der Spanne Endwert: max. -25 % der Spanne</p>
Anzeige	<p>14-Segment-LED, blau, 4-stellig, Ziffernhöhe 9 mm Darstellung elektronisch um 180° drehbar Aktualisierung: 200 ms</p>
Drehbarkeit des Gehäuses	<p>Display gegen Gehäuse mit elektrischem Anschluss: 330° Gehäuse gegen Prozessanschluss: 320°</p>

Performance

Genauigkeit des Messelements	$\leq \pm (0,15 \text{ °C} + 0,002 t)$ ¹⁾
Genauigkeit des Schaltausgangs	$\leq \pm 0,8 \%$ der Spanne
Genauigkeit der Anzeige	$\leq \pm 0,8 \%$ der Spanne ± 1 Digit
Genauigkeit des optionalen Analogausgangs	$\leq \pm 0,5 \%$ der Spanne
Ansprechzeit t50 ²⁾	≤ 5 s
Ansprechzeit t90	≤ 10 s

¹⁾ |t| ist der (positive) Zahlenwert der Temperatur in °C.

²⁾ Abhängig von Sensorkonfiguration, nach IEC 60751.

Mechanik/Elektrik

Prozessanschlüsse	G 1/4 A nach DIN 3852-E G 1/2 A nach DIN 3852-E Klemmverschraubung, G 1/2 A (für Messbereich -20 °C ... + 120 °C) Klemmverschraubung, G 1/4 A (für Messbereich -20 °C ... + 120 °C) 1/4" NPT 1/2" NPT
Einbaulängen/Durchmesser des Messfühlers	25 mm / 6 mm (nicht geeignet für Messbereich -20 °C ... + 120 °C) 50 mm / 6 mm (nicht geeignet für Messbereich -20 °C ... + 120 °C) 100 mm / 6 mm 150 mm / 6 mm 250 mm / 6 mm 350 mm / 6 mm
Medienberührende Werkstoffe	Edelstahl 1.4571 (AISI 316Ti)
Maximaler Prozessdruck ¹⁾	150 bar Klemmverschraubung max. 50 bar, bei 120 °C
Gehäusematerial	Unterteil: Edelstahl 1.4301 (AISI 304) Kunststoffkopf: PC + ABS Tastatur: TPE-E Displayscheibe: PC
Schutzart ²⁾	IP 65 und IP 67

Anschlussart	Rundsteckverbinder M12 x 1, 4-polig Rundsteckverbinder M12 x 1, 5-polig (nur für Varianten mit zwei Schaltausgängen und einem Analogausgang)
Maximale Bürde R_A	< 0,5 k Ω bei Ausgangssignal 4 mA ... 20 mA > 10 k Ω bei Ausgangssignal 0 V ... 10 V \leq 100 k Ω (Schaltausgänge)
Versorgungsspannung	15 V DC ... 35 V DC
Maximale Stromaufnahme	45 mA (für Konfigurationen ohne Analogausgang) 70 mA (für Konfigurationen mit Analogausgang) Option IO-Link bedingt einen abweichenden Stromverbrauch
Gesamtstromaufnahme	ohne IO-Link: max. 600 mA / mit IO-Link max. 450 mA (inkl. Schaltstrom)
Elektrische Sicherheit	Schutzklasse: III Isolationsspannung: 500 V DC Überspannungsschutz: 40 V DC Kurzschlussfestigkeit: QA, Q1, Q2 gegen M Verpolschutz: L+ gegen M
Zertifizierung RoHS	✓

¹⁾ Bei Raumtemperatur und Anschluss über das Gewinde.

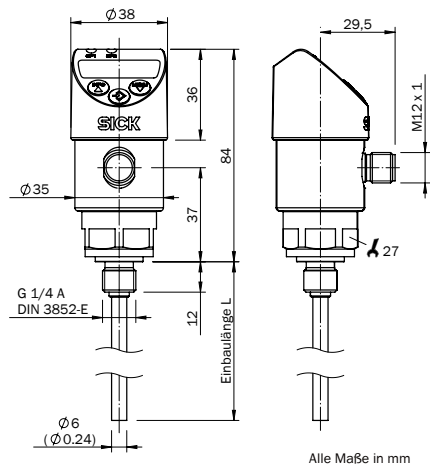
²⁾ Schutzart IP nach IEC 60529. Die angegebenen Schutzarten gelten nur im gesteckten Zustand mit Leitungssteckern entsprechender Schutzart.

Umgebungsdaten

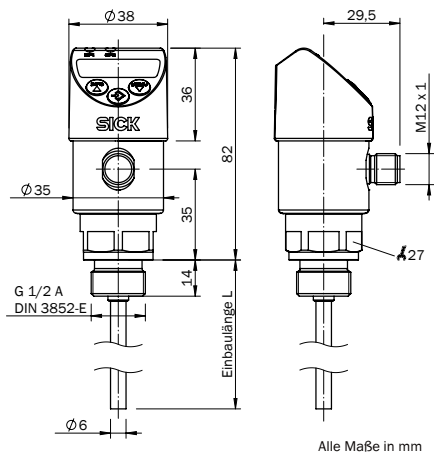
Umgebungstemperatur	-20 °C ... + 80 °C
Lagertemperatur	-20 °C ... + 80 °C
Relative Luftfeuchte	45 % ... 75 %

Maßzeichnungen

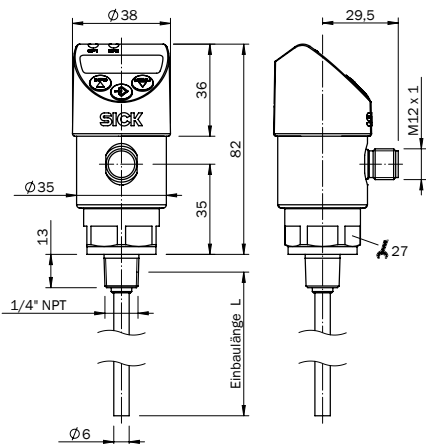
TBS mit Anschluss G 1/4 A
nach DIN 3852-E



TBS mit Anschluss G 1/2 A
nach DIN 3852-E

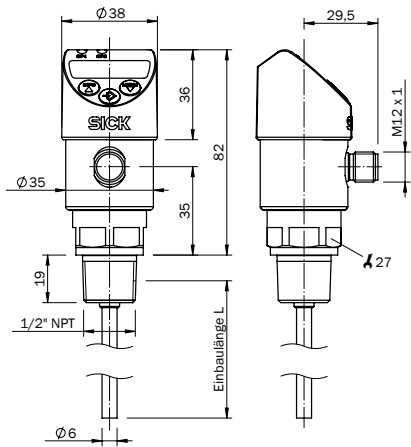


TBS mit Anschluss 1/4" NPT



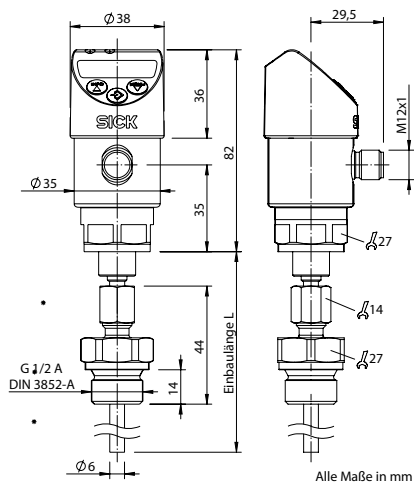
Alle Maße in mm

TBS mit Anschluss 1/2" NPT

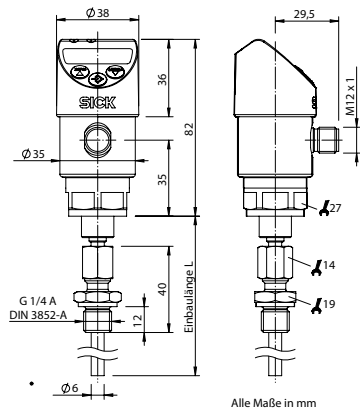


Alle Maße in mm

TBS mit Klemmverschraubung, G 1/2 A



TBS mit Klemmverschraubung, G 1/4 A



4. Aufbau und Funktion

4.1 Beschreibung

Mittels Messelement (Pt1000) und unter Zuführung von Hilfsenergie wird über die Widerstandsänderung des Messelements die anstehende Temperatur in ein Schaltsignal, bzw. verstärktes standardisiertes elektrisches Signal umgewandelt. Dieses elektrische Signal verändert sich proportional zur Temperatur und kann entsprechend ausgewertet werden.

4.2 Lieferumfang

Lieferumfang mit dem Lieferschein abgleichen.

5. Transport, Verpackung und Lagerung

5.1 Transport

Temperaturschalter auf eventuell vorhandene Transportschäden untersuchen.

Obersichtliche Schäden unverzüglich mitteilen.

5.2 Verpackung

Verpackung erst unmittelbar vor der Montage entfernen.

Die Verpackung aufbewahren, denn diese bietet bei einem Transport einen optimalen Schutz (z. B. wechselnder Einbauort, Reparatursendung).

5.3 Lagerung

Zulässige Bedingungen am Lagerort:

- Lagertemperatur: -20 ... +80 °C
- Feuchtigkeit: 45 ... 75 % relative Feuchte



WARNUNG!

Vor der Einlagerung des Gerätes (nach Betrieb) alle anhaftenden Messstoffreste entfernen. Dies ist besonders wichtig, wenn der Messstoff gesundheitsgefährdend ist, wie z. B. ätzend, giftig, krebserregend, radioaktiv, usw.

6. Inbetriebnahme, Betrieb

6.1 Montage



Benötigtes Werkzeug: Gabelschlüssel (Schlüsselweite 27)

- Dichtflächen am Temperaturschalter und der Messstelle müssen stets frei von Verschmutzungen sein.
- Das Gerät nur über die Schlüsselflächen ein- bzw. ausschrauben. Niemals das Gehäuse als Angriffsfläche verwenden.
- Das richtige Drehmoment ist abhängig von der Dimension des Prozessanschlusses sowie der verwendeten Dichtung (Form/Werkstoff).

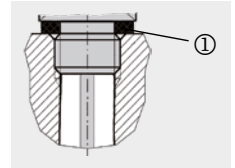
- Beim Einschrauben die Gewindegänge nicht verkanten.
- Das Gerät über den Prozessanschluss erden.
- Anschlussstecker aufstecken und handfest verschrauben.
- Bei hohen Medien- oder Umgebungstemperaturen ist durch geeignete Maßnahmen sicher zu stellen, dass die Gehäusetemperatur des Geräts (gemessen am Sechskant des Prozessanschlusses) für den Dauerbetrieb 80 °C nicht überschreitet.
- Das Kunststoffgehäuse des TBS lässt sich gegenüber dem Edelstahlgehäuse mit dem elektrischem Anschluss verdrehen. Dabei ist der deutlich spürbare Anschlag (in beiden Richtungen) zu beachten. Ein Verdrehen über die Anschläge hinaus ist in jedem Fall zu vermeiden.



Abdichtung

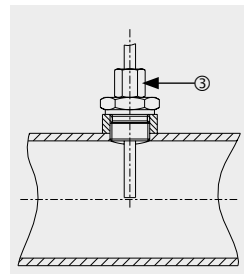
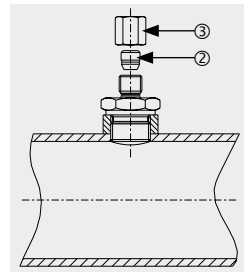
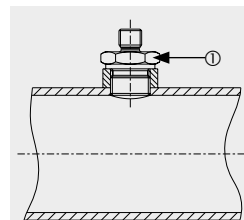
Zur Abdichtung der Prozessanschlüsse mit geradem Gewinde an der Dichtfläche ① sind Flachdichtungen, Dichtlinsen oder Profildichtungen einzusetzen.

Bei konischem Gewinde (z. B. NPT-Gewinde) erfolgt die Abdichtung im Gewinde, mit zusätzlichen Dichtwerkstoffen, wie z.B. PTFE-Band (EN 837-2).



Klemmverschraubung

1. Klemmverschraubung (1) in Prozessanschluss einschrauben und festziehen.
2. Klemmring (2) mit verjüngter Seite in Verschraubung einführen und Überwurfmutter (3) handfest aufschrauben.
3. Temperaturschalter in Verschraubung einführen und auf gewünschter Eintauchtiefe festhalten. Überwurfmutter (3) mit ca. 50 Nm festziehen.
4. Optional
Montage kontrollieren: Überwurfmutter lösen. Der Klemmring ist fest mit dem Fühlerrohr verbunden.



Montage elektrischer Anschluss

- Das Gerät über den Prozessanschluss erden.
- Die Versorgung des Temperaturschalters muss durch einen energiebegrenzten Stromkreis gemäß 9.4 der UL/EN/IEC 61010-1 oder LPS gemäß UL/EN/IEC 60950-1 oder Class 2 gemäß UL1310/UL1585 (NEC oder CEC) erfolgen.
- Die Versorgung muss für den Betrieb über 2.000 m geeignet sein, wenn der Temperaturschalter in dieser Höhe verwendet wird.
- Bei Kabelausgang sicherstellen, dass am Ende des Kabels keine Feuchtigkeit eintritt.

Anschlusschemata

Rundstecker M12 x 1, 4-polig



Belegung

L ⁺	M	Q _A	C/Q ₁	Q ₂
1	3	2	4	2

Rundstecker M12 x 1, 5-polig



Belegung

L ⁺	M	Q _A	C/Q ₁	Q ₂
1	3	5	4	2

6.2 Betriebsmodi

Systemstart

- Display wird 2 Sekunden lang vollständig angesteuert.
- Bei Start des Temperaturschalters im Bereich der Hysterese wird standardmäßig der Ausgangsschalter auf „nicht-aktiv“ gesetzt

Displaymodus

Normaler Arbeitsbetrieb, Anzeige Temperaturwert

Programmiermodus

Einstellen der Parameter

6.3 Tasten und Funktionen

Der Temperaturschalter verfügt über zwei Betriebsmodi, den Displaymodus und den Programmiermodus. Der ausgewählte Betriebsmodus bestimmt die jeweilige Funktion der Taste.



Sprung in den Programmiermodus

Taste „MENU“ etwa 5 Sekunden lang betätigen. Falls Passwort ≠ 0000 gesetzt ist erfolgt erst eine Passwortabfrage. Bei erfolgreicher Bestätigung erfolgt der Zugang zum Programmiermodus, ansonsten erfolgt Rücksprung in Displaymodus.



Rücksprung in den Displaymodus

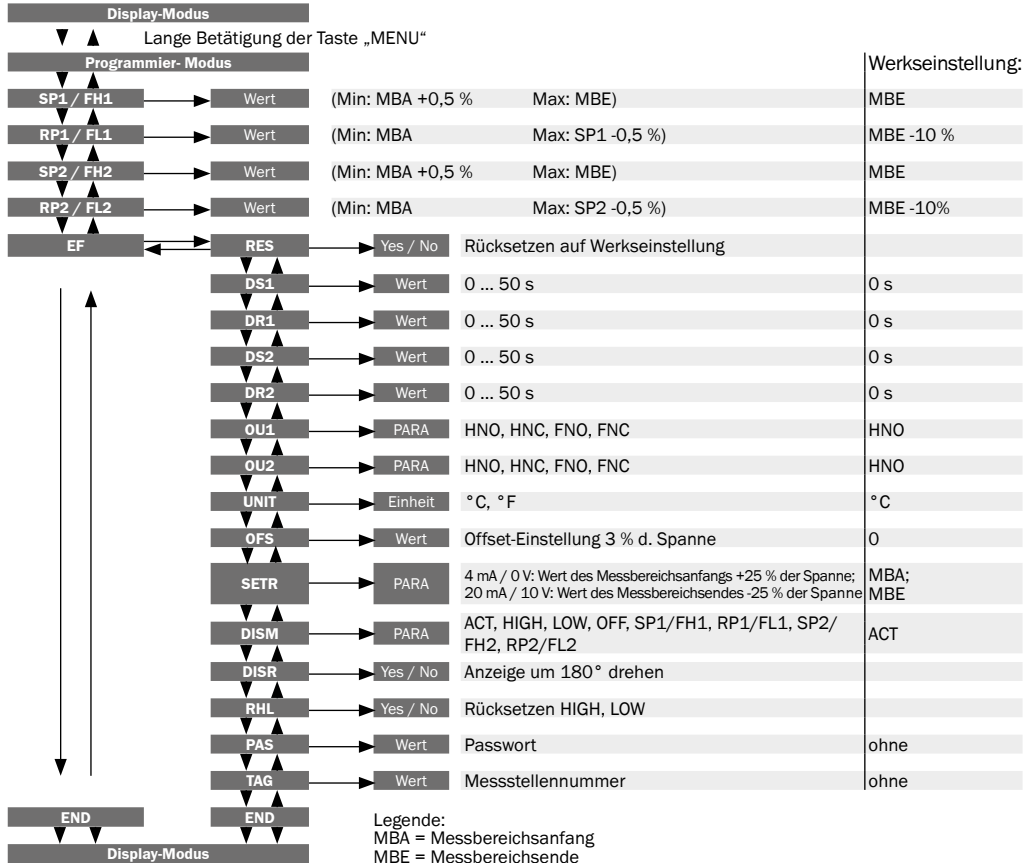
Gleichzeitige Betätigung beider Tasten.



6.4 Parameter

Parameter	Beschreibung
SP1 / SP2	Hysteresefunktion: Schaltpunkt Schaltausgang (1 ggf. 2)
FH1 / FH2	Fensterfunktion: Fenster High Schaltausgang (1 ggf. 2)
RP1 / RP2	Hysteresefunktion: Rückschaltpunkt Schaltausgang (1 ggf. 2)
FL1 / FL2	Fensterfunktion: Fenster Low Schaltausgang (1 ggf. 2)
EF	Erweiterte Programmier Funktionen
RES	Rücksetzen der eingestellten Parameter auf die Werkseinstellungen
DS1 / DS2	Schaltverzögerungszeit, die ununterbrochen anstehen muss, bis ein elektrischer Signalwechsel erfolgt (SP1 ggf. SP2)
DR1 / DR2	Schaltverzögerungszeit, die ununterbrochen anstehen muss, bis ein elektrischer Signalwechsel erfolgt (RP1 ggf. RP2)
OU1	Schaltfunktion Schaltausgang (1 ggf. 2)
OU2	HNO = Hysteresefunktion, Schließer HNC = Hysteresefunktion, Öffner FNO = Fensterfunktion, Schließer FNC = Fensterfunktion, Öffner
UNIT	Einheitenumschaltung
OFS	Offset-Einstellung (3% der Spanne)
SETR	„4mA“ bzw. „0V“ legt fest, bei welcher Temperatur das Ausgangssignal 4 mA bzw. 0 V betragen soll. „20mA“ bzw. „10V“ legt fest, bei welcher Temperatur das Ausgangssignal 20 mA bzw. 10 V betragen soll.
DISM	Anzeigewert im Display-Mode ACT = Aktueller Temperaturwert; LOW, HIGH = Minimaler, Maximaler Temperaturwert OFF = Anzeige aus; SP1 / FH1 = Funktion Schaltpunkt 1, RP1 / FL1 = Funktion Rückschaltpunkt 1, SP2 / FH2 = Funktion Schaltpunkt 2, RP2 / FL2 = Funktion Rückschaltpunkt 2
DISR	Display-Anzeige 180° drehen
RHL	Löschen des Min- und Maxwert Speichers
PAS	Passworteingabe, 0000 = kein Passwort Passworteingabe Digit by Digit
TAG	Eingabe einer 16-stelligen alphanumerischen Messstellennummer

Menü (Programmierung und Werkseinstellung)



6.5 Schaltfunktionen

Hysteresefunktion

Wenn die Systemtemperatur um den Sollwert schwankt, hält die Hysterese den Schaltzustand der Ausgänge stabil. Bei steigender Systemtemperatur schaltet der Ausgang bei Erreichen des Schaltpunktes (SP).

- Schließer (HNO): aktiv
- Öffner (HNC): inaktiv

Fällt die Systemtemperatur wieder ab, schaltet der Ausgang erst wieder zurück, wenn der Rückschaltpunkt (RP) erreicht ist.

- Schließer (HNO): inaktiv
- Öffner (HNC): aktiv

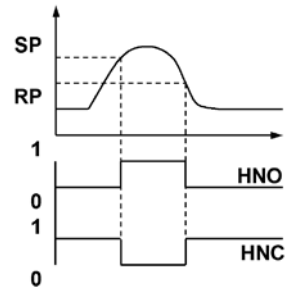


Abb.: Hysteresefunktion

Fensterfunktion

Die Fensterfunktion erlaubt die Überwachung eines definierten Bereiches. Befindet sich die Systemtemperatur zwischen dem Fenster High (FH) und dem Fenster Low (FL), schaltet der Ausgang .

- Schließer (FNO): aktiv
- Öffner (FNC): inaktiv

Befindet sich die Systemtemperatur außerhalb der Fenster High (FH) und Low (FL), schaltet der Ausgang nicht.

- Schließer (FNO): inaktiv
- Öffner (FNC): aktiv

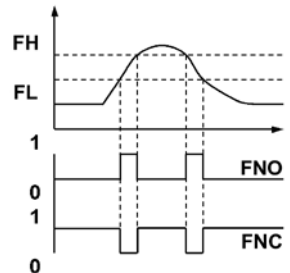


Abb.: Fensterfunktion

6.6 Verzögerungszeiten (0 ... 50 s)

Hierdurch lassen sich unerwünschte Temperaturanstiege von kurzer Dauer oder hoher Frequenz ausfiltern (Dämpfung).

Die Systemtemperatur muss mindestens eine voreingestellte Zeit anstehen, damit der Ausgang schaltet. Der Ausgang ändert seinen Zustand nicht sofort bei Erreichen des Schaltereignisses (SP), sondern erst nach Ablauf der eingestellten Verzögerungszeit (DS).

Besteht das Schaltereignis nach Ablauf der Verzögerungszeit nicht mehr, ändert sich der Schaltausgang nicht.

Der Ausgang schaltet erst wieder zurück, wenn die Systemtemperatur auf den Rückschaltpunkt (RP) abgefallen ist und mindestens die eingestellte Verzögerungszeit (DR) auf bzw. unter dem Rückschaltpunkt (RP) bleibt.

Besteht das Schaltereignis nach Ablauf der Verzögerungszeit nicht mehr, ändert sich der Schaltausgang nicht.

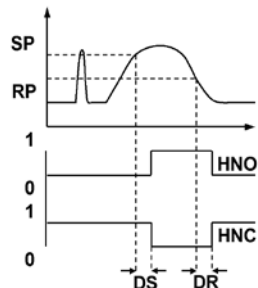


Abb.: Verzögerungszeiten

6.7 Beschreibung der IO-Link-Funktionalität (wenn vorhanden)

Eine Beschreibung der IO-Link-Funktionen des TBS und die zugehörige IODD-Datei (IO-Link Device Description) finden Sie zum Download auf www.sick.com.

Physikalische Schicht

SIO Modus	ja
Min. Zykluszeit	2,3 ms
Geschwindigkeit	COM2 (38.4 kBaud)
Prozessdatenbreite	16 bit (Frametyp 2.2)

Prozessdaten

Der SICK Temperaturschalter TBS hat 1 oder 2 digitale Ausgänge. Beide Schaltausgänge werden als Prozessdaten über IO-Link übertragen. Der Schaltausgang Q2 wird zusätzlich am Pin2 des M12 Steckers geschaltet. Im so genannten SIO-Modus wird der Schaltausgang C/Q1 am Pin4 des M12 Steckers geschaltet. Im Kommunikationsbetrieb ist dieser Pin ausschließlich der Kommunikation vorbehalten.

8. Störungen



Bei Störungen zuerst überprüfen, ob der Temperaturschalter mechanisch und elektrisch korrekt montiert ist.

Fehleranzeige

Über das Display des Gerätes werden interne Fehler ausgegeben.

Folgende Tabelle zeigt die Fehlercodes und deren Bedeutung.

Fehlercode	Beschreibung
ATT1	Bei Änderung des Schaltpunkts wurde der Rückschaltpunkt vom System automatisch herabgesetzt
ATT3	Passworteingabe für Menüzugang fehlerhaft
ERR	Interner Fehler
OL	Messbereich überschritten > ca. 5 % (Display blinkt)
UL	Messbereich unterschritten < ca. 5 % (Display blinkt)

Fehleranzeige durch Drücken der „Enter“-Taste bestätigen.

Störung	Mögliche Ursache	Maßnahme
Kein Ausgangssignal	Leitungsbruch	Durchgang überprüfen
Kein Ausgangssignal / Leitungsbruch	Zu hohe mechanische Belastung	Fühler durch geeignete Ausführung ersetzen
Kein Ausgangssignal	Keine / falsche Hilfsenergie	Hilfsenergie korrigieren
Kein / falsches Ausgangssignal	Verdrahtungsfehler	Anschlussbelegung beachten
Falsches Ausgangssignal	Prozesstemperatur außerhalb des Messbereichs; Sensordrift durch Übertemperatur	Temperaturbereich überprüfen
	Sensorbruch/-kurzschluss	Gerät zum Hersteller senden
Falsches Ausgangssignal	Sensordrift durch chemischen Angriff	Medienverträglichkeit prüfen
Falsches Ausgangssignal und zu lange Ansprechzeit	Falsche Einbaugeometrie, z. B. zu geringe Einbautiefe und zu hohe Wärmeableitung	Temperaturrempfindlichen Bereich des Sensors in Medium bringen
	Ablagerung auf dem Sensor	Ablagerung entfernen
Signalspanne zu klein	Hilfsenergie zu hoch / niedrig	Hilfsenergie korrigieren
Signalspanne fällt ab	Feuchtigkeit eingetreten	Kabel korrekt montieren



VORSICHT!

Können Störungen mit Hilfe der oben aufgeführten Maßnahmen nicht beseitigt werden, ist der Temperaturschalter unverzüglich außer Betrieb zu setzen und gegen versehentliche Inbetriebnahme zu schützen. In diesem Falle Kontakt mit dem Hersteller aufnehmen. Bei notwendiger Rücksendung die Hinweise unter Kapitel 9.2 „Rücksendung“ beachten.

9. Demontage, Rücksendung und Entsorgung



WARNUNG!

Messstoffreste am ausgebauten Temperaturschalter können zur Gefährdung von Personen, Umwelt und Einrichtung führen.
Ausreichende Vorsichtsmaßnahmen ergreifen.

9.1 Demontage



WARNUNG!

Verbrennungsgefahr!
Vor dem Ausbau das Gerät ausreichend abkühlen lassen!
Beim Ausbau besteht Gefahr durch austretende, gefährlich heiße Messstoffe.

9.2 Rücksendung



WARNUNG!

Beim Versand des Gerätes unbedingt beachten:

Alle an SICK gelieferten Geräte müssen frei von Gefahrstoffen (Säuren, Laugen, Lösungen, etc.) sein.

Zur Rücksendung des Gerätes die Originalverpackung oder eine geeignete Transportverpackung verwenden.

Dem Gerät ist eine vollständige und unterzeichnete Unbedenklichkeitserklärung beizulegen.



Die Unbedenklichkeitserklärung befindet sich auch www.sick.de.

9.3 Entsorgung

Durch falsche Entsorgung können Gefahren für die Umwelt entstehen.

Gerätekomponenten und Verpackungsmaterialien entsprechend den landesspezifischen Abfallbehandlungs- und Entsorgungsvorschriften umweltgerecht entsorgen.

Australia

Phone +61 (3) 9457 0600
1800 33 48 02 – tollfree

Austria

Phone +43 (0) 2236 62288-0

Belgium/Luxembourg

Phone +32 (0) 2 466 55 66

Brazil

Phone +55 11 3215-4900

Canada

Phone +1 905.771.1444

Czech Republic

Phone +420 234 719 500

Chile

Phone +56 (2) 2274 7430

China

Phone +86 20 2882 3600

Denmark

Phone +45 45 82 64 00

Finland

Phone +358-9-25 15 800

France

Phone +33 1 64 62 35 00

Germany

Phone +49 (0) 2 11 53 010

Greece

Phone +30 210 6825100

Hong Kong

Phone +852 2153 6300

Hungary

Phone +36 1 371 2680

India

Phone +91-22-6119 8900

Israel

Phone +972 97110 11

Italy

Phone +39 02 27 43 41

Japan

Phone +81 3 5309 2112

Malaysia

Phone +603-8080 7425

Mexico

Phone +52 (472) 748 9451

Netherlands

Phone +31 (0) 30 229 25 44

New Zealand

Phone +64 9 415 0459
0800 222 278 – tollfree

Norway

Phone +47 67 81 50 00

Poland

Phone +48 22 539 41 00

Romania

Phone +40 356-17 11 20

Russia

Phone +7 495 283 09 90

Singapore

Phone +65 6744 3732

Slovakia

Phone +421 482 901 201

Slovenia

Phone +386 591 78849

South Africa

Phone +27 10 060 0550

South Korea

Phone +82 2 786 6321/4

Spain

Phone +34 93 480 31 00

Sweden

Phone +46 10 110 10 00

Switzerland

Phone +41 41 619 29 39

Taiwan

Phone +886-2-2375-6288

Thailand

Phone +66 2 645 0009

Turkey

Phone +90 (216) 528 50 00

United Arab Emirates

Phone +971 (0) 4 88 65 878

United Kingdom

Phone +44 (0)17278 31121

USA

Phone +1 800.325.7425

Vietnam

Phone +65 6744 3732

Detailed addresses and further locations at www.sick.com