



## Ex position switch Ex ES 98 DS-11 -40°C Material no.: 1400749

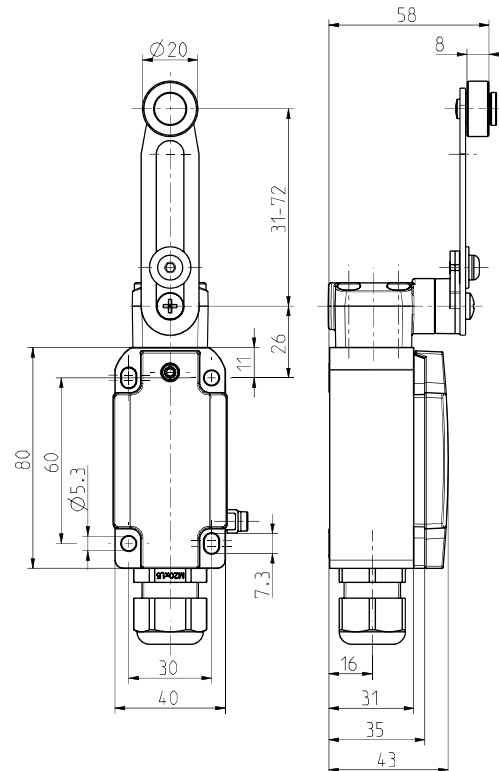
### Product features

- Ex zone 1 and 21
- Cold-resistant down to -40 °C
- Metal enclosure
- Design to EN 50041
- Wiring compartment
- Actuator: Adjustable rocking lever DS
- Actuating speed max. 2.5 m/s with a vertical actuating angle of 30°
- Wear-resistant plastic roller
- Lever angle adjustable in 10° steps
- Actuator can be repositioned by 4 x 90°
- Attention: Please state required international approvals with your order!

### Notes

- With stainless steel roller available on request

### Dimensions



### Technical data

#### Applied standards

EN 60947-5-1, EN IEC 60079-0, EN 60079-1, EN IEC 60079-7, EN 60079-31

#### Enclosure

aluminium die-cast, corrosion-resistant, powder-coated, anthracite grey, similar to RAL 7016

#### Cover

stainless steel 1.4401, powder-coated, signal yellow, similar to RAL 1003

#### Sealing

silicone

#### Degree of protection

IP66 (IEC/EN 60529)

#### Contact material

silver

#### Switching system

slow action

#### Switching elements

1 NC/1 NO contact, type Zb

#### Connection

screw connection terminals, use copper conductors only

#### Cable cross-section

min. 0.75 mm<sup>2</sup> (AWG 18), max. 1.5 mm<sup>2</sup> (AWG 16), incl. conductor ferrules

#### Cable entry

1 x M20 x 1.5 (incl. 1 cable gland)

#### Clamping range

7 ... 13 mm

#### Rated impulse withstand voltage $U_{imp}$

4 kV

#### Rated insulation voltage $U_i$

250 V

#### Rated operating current $I_e$

max. 4.4 A T6 / max. 6.6 A T5

#### Rated operating voltage $U_e$

max. 250 VAC; 125 VDC

#### Utilisation category

AC-15; DC-13

Errors and omissions excepted.



## Ex position switch Ex ES 98 DS-11 -40°C Material no.: 1400749

### Technical data (contd.)

---

#### Short-circuit protection

4 A / 6 A gG/gN fuse

#### Ambient temperature

T6: -40 °C ... +70 °C (max. 4.4 A)

T5: -40 °C ... +70 °C (max. 6.6 A)

#### Mechanical life

> 1 million operations

#### Operation cycles

max. 1800/h

#### Repeat accuracy of switching points

± 0.1 mm

#### Impact energy

max. 7 J

#### Ex marking

⊕ II 2G Ex db eb IIC T6/T5 Gb,

⊕ II 2D Ex tb IIIC T80°C/T95°C Db

IECEX Ex db eb IIC T6/T5 Gb,

Ex tb IIIC T80°C/T95°C Db

#### Approvals

DMT 01 ATEX E 178

IECEX BVS 07.0014

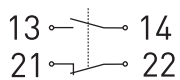


#### Weight

380 g

### Contact diagram

---



### Switching diagram

---

