



Ex safety switch for hinged guards

Ex ES 98 SB-02-10mm

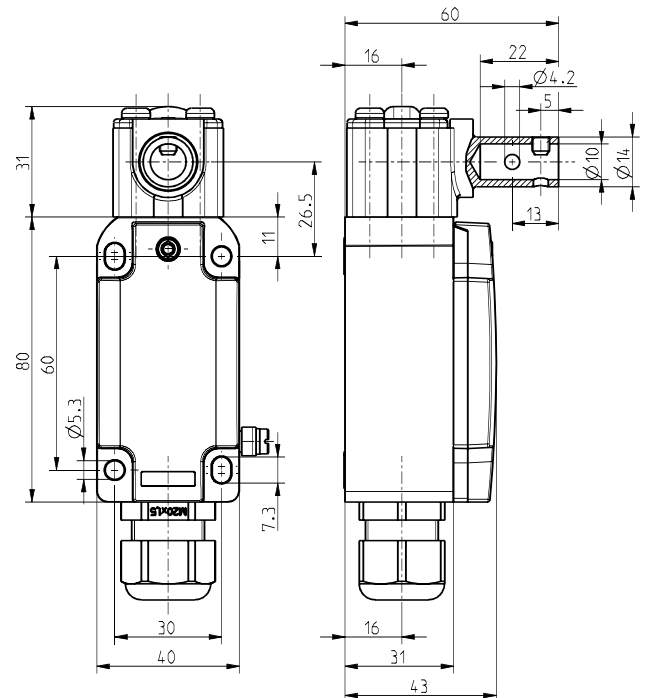
Material no.: 1336010 (material no. old: 9105543001)

Product features



- Ex zone 1 and 21
- Metal enclosure
- Wiring compartment
- Design to EN 50041
- Actuator can be repositioned by 4 x 90°
- Actuating shaft can be turned 360°
- Shaft bore \varnothing 10 mm
- Attention: Please state required international approvals with your order!

Dimensions



Technical data

Applied standards

EN 60947-5-1, EN IEC 60079-0, EN 60079-1, EN IEC 60079-7, EN 60079-31, EN ISO 13849-1, EN ISO 14119

Enclosure

aluminium die-cast, corrosion-resistant, powder-coated, anthracite grey, similar to RAL 7016

Cover

stainless steel 1.4401, powder-coated, signal yellow, similar to RAL 1003

Sealing

silicone

Switch type

type 1

Coding level

no coding

Tightening torque

screw connection terminals: 0.5 Nm

Degree of protection

IP66 (IEC/EN 60529)

B_{10d} (10 % load)

2 million

T_M

max. 20 years

Contact material

silver

Switching system

slow action, positive break NC contacts \ominus

Switching elements

2 NC contacts, type Zb

Connection

screw connection terminals, use copper conductors only

Cable cross-section

min. 0.75 mm² (AWG 18), max. 1.5 mm² (AWG 16), incl. conductor ferrules

Cable entry

1 x M20 x 1.5 (incl. 1 cable gland)

Clamping range

7 ... 13 mm

Rated impulse withstand voltage U_{imp}

4 kV

Rated insulation voltage U_i

250 V

Errors and omissions excepted.



Ex safety switch for hinged guards

Ex ES 98 SB-02-10mm

Material no.: 1336010 (material no. old: 9105543001)

Technical data (contd.)

Conventional thermal current I_{the}
6 A

Rated operating current/voltage I_e/U_e
6 A/250 VAC; 0.25 A/230 VDC

Utilisation category
AC-15; DC-13

Short-circuit protection
6 A gG/gN fuse

Ambient temperature
T6: -20 °C ... +40 °C;
T5: -20 °C ... +60 °C

Mechanical life
> 1 million operations

Impact energy
max. 7 J

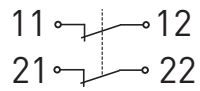
Ex marking
⊕ II 2G Ex db eb IIC T6/T5 Gb,
⊕ II 2D Ex tb IIIC T80°C/T95°C Db
IECEX Ex db eb IIC T6/T5 Gb,
Ex tb IIIC T80°C/T95°C Db

Approvals
DMT 01 ATEX E 178
IECEX BVS 07.0014

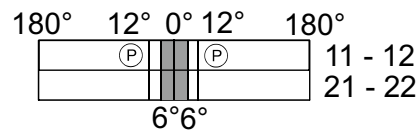


Weight
355 g

Contact diagram



Switching diagram



Ⓟ Positive break travel/angle