



Ex safety switch with separate actuator

Ex ES 98 ST-02

Material no.: 1304203 (material no. old: 9105533001)

Product features

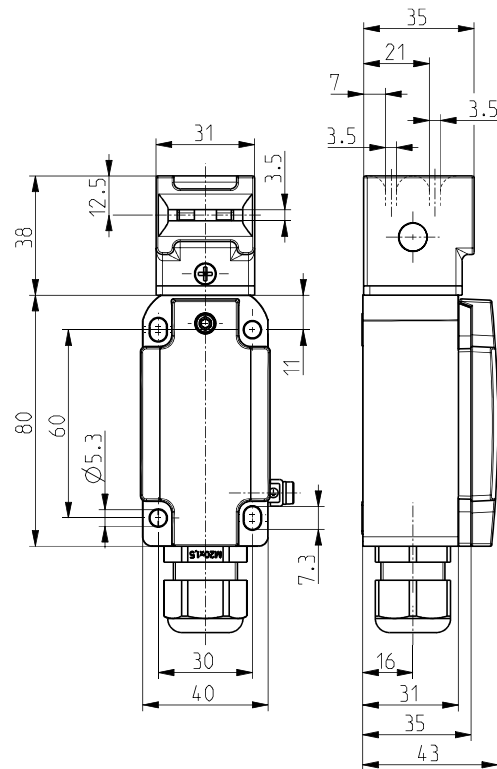


- Ex zone 1 and 21
- Metal enclosure
- Design to EN 50041
- Wiring compartment
- Attention: Please state required international approvals with your order!

Notes

- The actuator is not included in the delivery of the switches

Dimensions



Technical data

Applied standards

EN 60947-5-1, EN IEC 60079-0, EN 60079-1, EN IEC 60079-7, EN 60079-31, EN ISO 13849-1, EN ISO 14119

Enclosure

aluminium die-cast, corrosion-resistant, powder-coated, anthracite grey, similar to RAL 7016

Cover

stainless steel 1.4401, powder-coated, signal yellow, similar to RAL 1003

Sealing

silicone

Switch type

type 2

Coding level

low coding

Tightening torque

screw connection terminals: 0.5 Nm

Degree of protection

IP66 (IEC/EN 60529)

B_{10d} (10 % load)

2 million

T_M

max. 20 years

Switch insert

1 x Ex 95

Contact material

silver

Switching system

slow action, positive break NC contacts ⊖

Switching elements

2 NC contacts, type Zb

Connection

screw connection terminals, use copper conductors only

Cable cross-section

min. 0.75 mm² (AWG 18), max. 1.5 mm² (AWG 16), incl. conductor ferrules

Cable entry

1 x M20 x 1.5 (incl. 1 cable gland)

Errors and omissions excepted.



Ex safety switch with separate actuator

Ex ES 98 ST-02

Material no.: 1304203 (material no. old: 9105533001)

Technical data (contd.)

Clamping range

7 ... 13 mm

Rated impulse withstand voltage U_{imp}

4 kV

Rated insulation voltage U_i

250 V

Conventional thermal current I_{the}

6 A

Rated operating current/voltage I_e/U_e

6 A/250 VAC; 0.25 A/230 VDC

Utilisation category

AC-15; DC-13

Short-circuit protection

6 A gG/gN fuse

Positive break travel

8.3 mm

Ambient temperature

T6: -20 °C ... +40 °C;

T5: -20 °C ... +60 °C

Mechanical life

> 1 million operations

Operation cycles

max. 1800/h

Impact energy

max. 7 J

Ex marking

⊕ II 2G Ex db eb IIC T6/T5 Gb,

⊕ II 2D Ex tb IIIC T80°C/T95°C Db

IECEX Ex db eb IIC T6/T5 Gb,

Ex tb IIIC T80°C/T95°C Db

Approvals

DMT 01 ATEX E 178

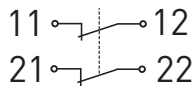
IECEX BVS 07.0014



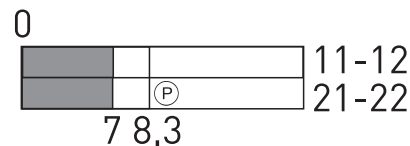
Weight

337 g

Contact diagram



Switching diagram



Ⓟ Positive break travel/angle

Note

Inserted position of actuator = 0 in switching diagram.
The actuator is not included with the switches.