



## Ex safety switch with separate actuator

Ex ES 98 ST-11

Material no.: 1255734 (material no. old: 9100533001)

### Product features

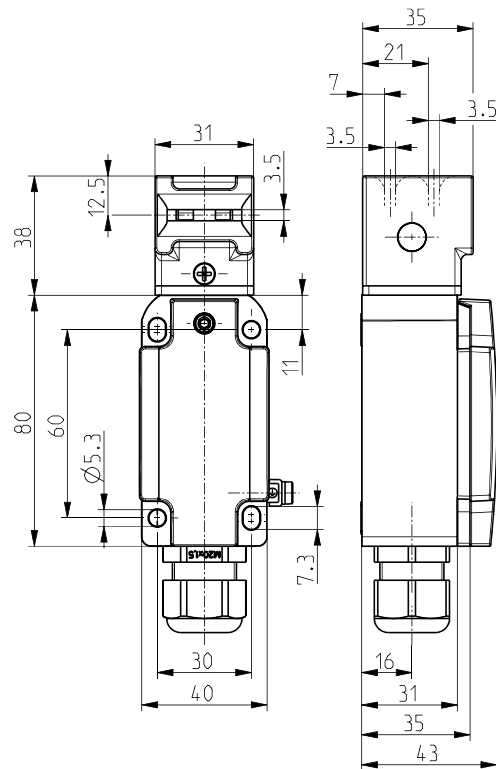


- Ex zone 1 and 21
- Metal enclosure
- Design to EN 50041
- Wiring compartment
- Attention: Please state required international approvals with your order!

### Notes

- The actuator is not included in the delivery of the switches

### Dimensions



### Technical data

#### Applied standards

EN 60947-5-1, EN IEC 60079-0, EN 60079-1, EN IEC 60079-7, EN 60079-31, EN ISO 13849-1, EN ISO 14119

#### Enclosure

aluminium die-cast, corrosion-resistant, powder-coated, anthracite grey, similar to RAL 7016

#### Cover

stainless steel 1.4401, powder-coated, signal yellow, similar to RAL 1003

#### Sealing

silicone

#### Switch type

type 2

#### Coding level

low coding

#### Tightening torque

screw connection terminals: 0.5 Nm

#### Degree of protection

IP66 (IEC/EN 60529)

#### B<sub>10d</sub> (10 % load)

2 million

#### T<sub>M</sub>

max. 20 years

#### Switch insert

1 x Ex 95

#### Contact material

silver

#### Switching system

slow action, positive break NC contacts ⊖

#### Switching elements

1 NC/1 NO contact, type Zb

#### Connection

screw connection terminals, use copper conductors only

#### Cable cross-section

min. 0.75 mm<sup>2</sup> (AWG 18), max. 1.5 mm<sup>2</sup> (AWG 16), incl. conductor ferrules

#### Cable entry

1 x M20 x 1.5 (incl. 1 cable gland)

Errors and omissions excepted.



## Ex safety switch with separate actuator

Ex ES 98 ST-11

Material no.: 1255734 (material no. old: 9100533001)

### Technical data (contd.)

#### Clamping range

7 ... 13 mm

#### Rated impulse withstand voltage $U_{imp}$

4 kV

#### Rated insulation voltage $U_i$

250 V

#### Conventional thermal current $I_{the}$

6 A

#### Rated operating current/voltage $I_e/U_e$

6 A/250 VAC; 0.25 A/230 VDC

#### Utilisation category

AC-15; DC-13

#### Short-circuit protection

6 A gG/gN fuse

#### Ambient temperature

T6: -20 °C ... +40 °C;

T5: -20 °C ... +60 °C

#### Mechanical life

> 1 million operations

#### Operation cycles

max. 1800/h

#### Impact energy

max. 7 J

#### Ex marking

⊕ II 2G Ex db eb IIC T6/T5 Gb,

⊕ II 2D Ex tb IIIC T80°C/T95°C Db

IECEX Ex db eb IIC T6/T5 Gb,

Ex tb IIIC T80°C/T95°C Db

#### Approvals

DMT 01 ATEX E 178

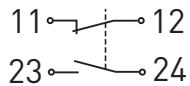
IECEX BVS 07.0014



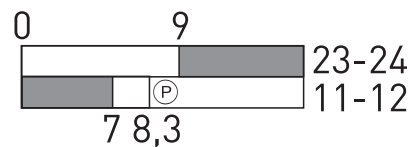
#### Weight

360 g

### Contact diagram



### Switching diagram



Ⓟ Positive break travel/angle

#### Note

Inserted position of actuator = 0 in switching diagram.

The actuator is not included with the switches.