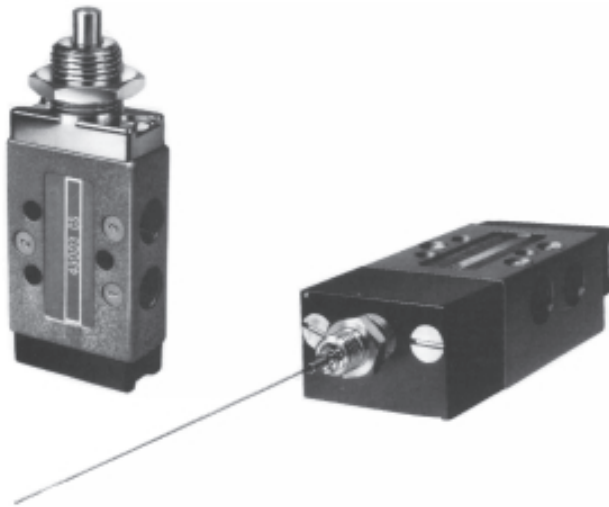


Directional control valves G¹/₈ 3/2 - 5/2

Mechanically operated valves



Symbol



Materials

| | |
|----------------|-----------------|
| Body | Zinc diecast |
| Actuator | Zinc diecast |
| Spool | Stainless steel |
| Bushes | Brass |
| Seals | Viton |
| Spring housing | Nylon |

Technical information

| | |
|-------------------|-------------------------------|
| Type | Spool valve |
| Style | Body ported |
| Port size | G ¹ / ₈ |
| Mounting | Any plane |
| Temperature range | -10°C to +80°C |

Pneumatic information

| | |
|------------------------|----------------------|
| Pressure range | Vacuum to 10 bar |
| Minimum pilot pressure | 3 bar |
| Nominal Ø | 3,2mm |
| Nominal flow at 7 bar | 7 dm ³ /s |
| Cv factor | 0,24 |

Ordering information

| Part nos. | Type | Actuator | Return | Symbol | Optional air pilot return |
|-----------------|------|-------------------------|--------|--------|---------------------------|
| B43003CS | 3/2 | Plunger | Spring | | |
| B43004CS | 5/2 | Plunger | Spring | | |
| B43003W | 3/2 | Whisker normally closed | Spring | | |
| B43004WO | 5/2 | Whisker normally open | Spring | | |
| B43004W | 5/2 | Whisker | Spring | | |

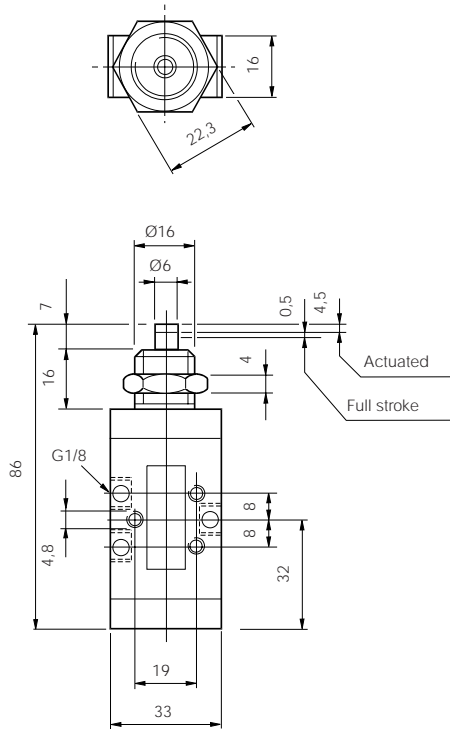
Note: All valves featured on this page are available with an air pilot return mechanism.

To order delete 'S' for spring and add 'P'. e.g. **B43003CP**
For dimensions of air pilot housing see page 3.

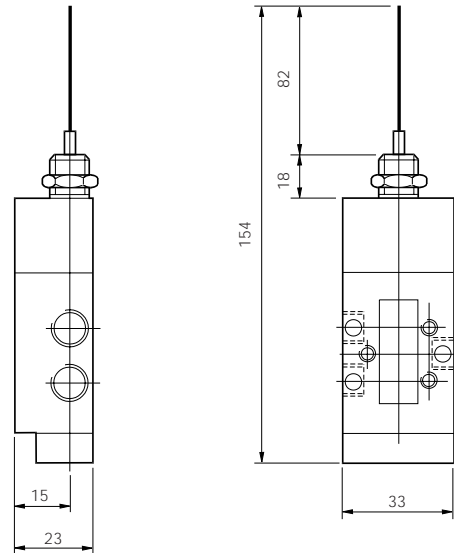
Directional control valves G¹/₈ 3/2 - 5/2

3/2 valve dimensions (mm)

Plunger operated
spring return

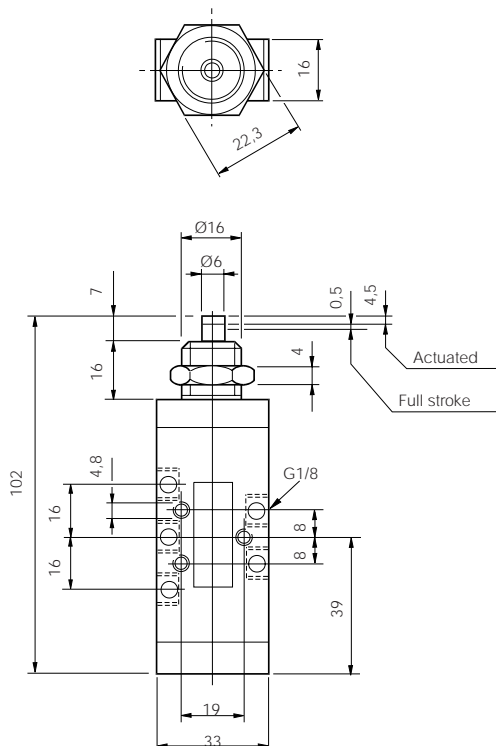


Whisker operated
spring return



5/2 valve dimensions (mm)

Plunger operated
spring return



Whisker operated
spring return

