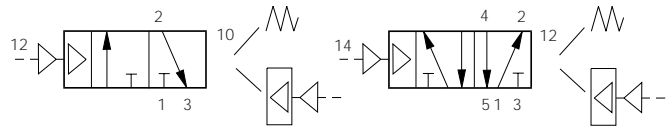


Directional control valves G¹/₈ 3/2 - 5/2

Diaphragm operated valves



Symbol



Materials

Body	Zinc diecast
Actuator	Zinc diecast
Spool	Stainless steel
Bushes	Brass
Seals	Viton
Spring housing	Zinc diecast
Diaphragm	Nitrile

Technical information

Type	Spool valve
Style	Body ported
Port size	G ¹ / ₈
Mounting	Any plane
Temperature range	-10°C to +80°C

Pneumatic information

Pressure range	Vacuum to 10 bar	
Minimum pilot pressure	Spring return	0,3 bar
	Diaphragm return	0,13 bar
Nominal Ø	3,2mm	
Nominal flow at 7 bar	7 dm ³ /s	
Cv factor	0,24	

Ordering information

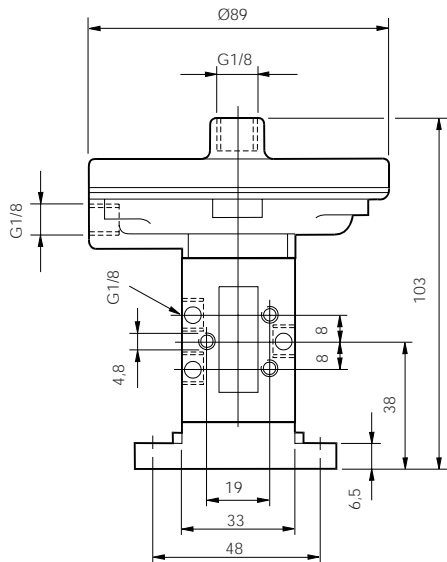
Part nos.	Type	Actuator	Return	Symbol
B43003DF	3/2	Diaphragm	Spring	
B43004DF	5/2	Diaphragm	Spring	
B43003DD	3/2	Diaphragm	Diaphragm	
B43004DD	5/2	Diaphragm	Diaphragm	
B43004D-50	Mounting bracket kit			

Comprises: 1 bracket, 3 bolts and nuts

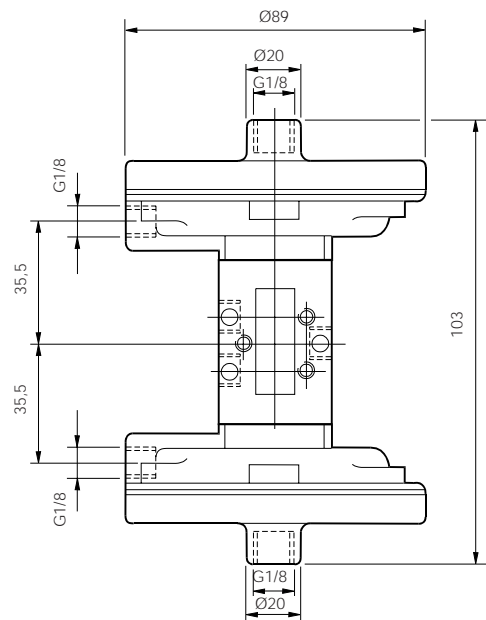
Directional control valves G¹/₈ 3/2 - 5/2

3/2 valve dimensions (mm)

Diaphragm operated
spring return

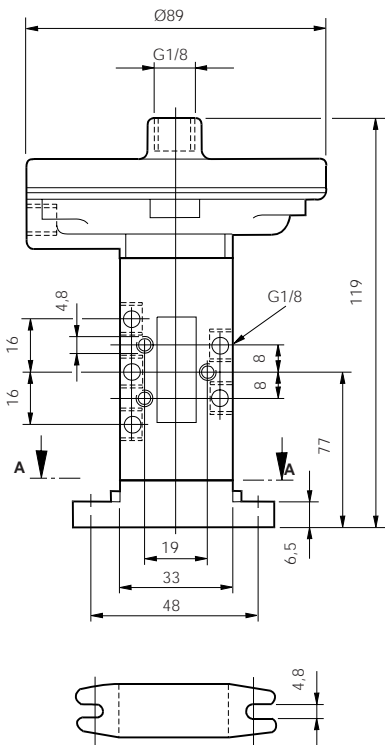


Diaphragm operated
Diaphragm return

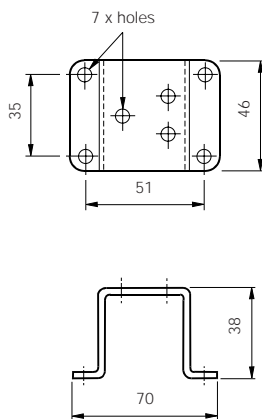


5/2 valve dimensions (mm)

Diaphragm operated
spring return



Mounting brackets



Diaphragm operated
Diaphragm return

