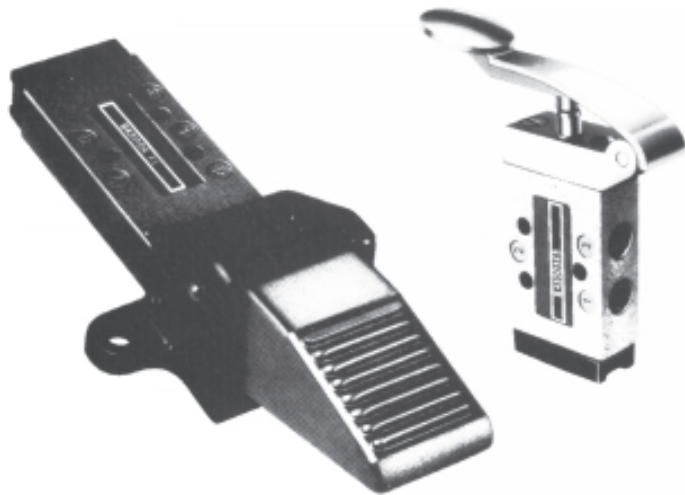
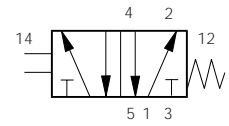
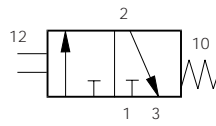


Directional control valves G¹/₈ 3/2 - 5/2

Manually operated valves



Symbol



Materials

Body	Zinc diecast
Actuator	Zinc diecast
Spool	Stainless steel
Bushes	Brass
Seals	Viton
Spring housing	Nylon

Technical information

Type	Spool valve
Style	Body ported
Port size	G ¹ / ₈
Mounting	Any plane
Temperature range	-10°C to +55°C

Pneumatic information

Pressure range	Vacuum to 10 bar
Minimum pilot pressure	3 bar
Nominal Ø	3,2mm
Nominal flow at 7 bar	7 dm ³ /s
Cv factor	0,24

Ordering information

Part nos.	Type	Actuator	Return	Symbol	Optional air pilot return
B43003ES	3/2	Palm lever	Spring		
B43004ES	5/2	Palm lever	Spring		
B43003FS	3/2	Foot pedal	Spring		
B43004FS	5/2	Foot pedal	Spring		

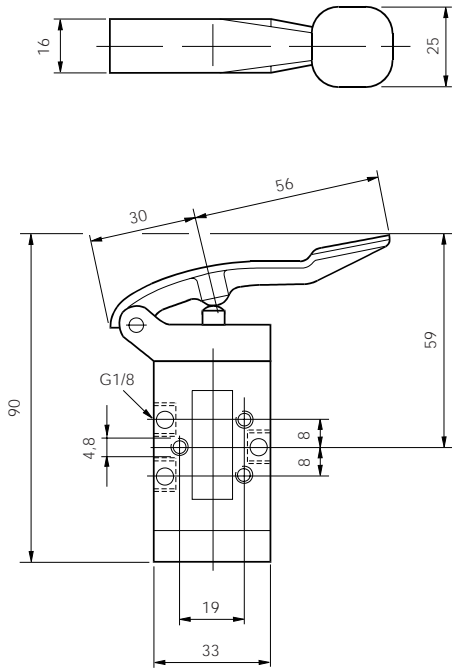
Note: All valves featured on this page are available with an air pilot return mechanism.

To order delete '**S**' for spring and add '**P**'. e.g. **B43003CP**
For dimensions of air pilot housing see page 3.

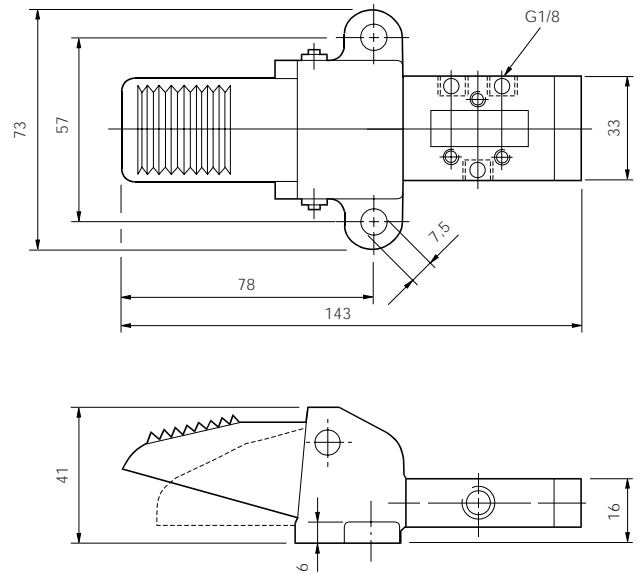
Directional control valves G¹/₈ 3/2 - 5/2

3/2 valve dimensions (mm)

Palm lever operated
spring return

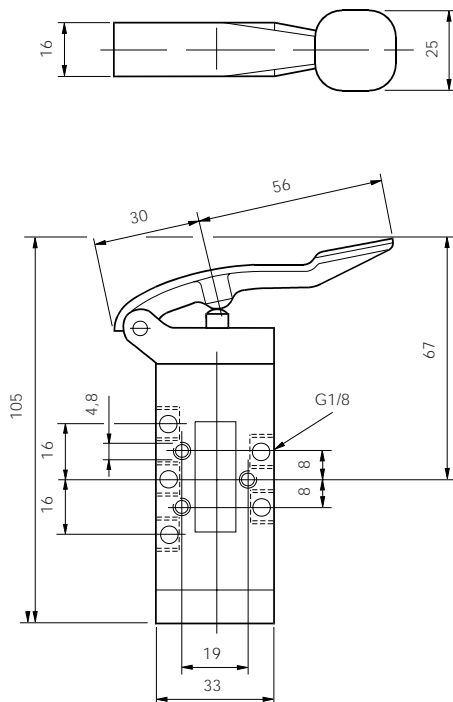


Foot pedal operated
spring return



5/2 valve dimensions (mm)

Palm lever operated
spring return



Foot pedal operated
spring return

