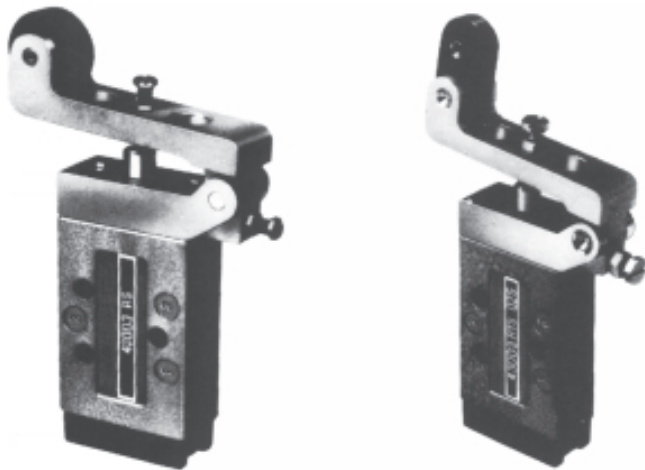
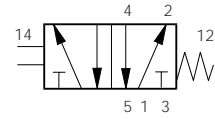
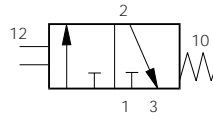


# Directional control valves G<sup>1/8</sup> 3/2 - 5/2

## Mechanically operated valves



## Symbol



## Materials

Body	Zinc diecast
Actuator	Zinc diecast
Spool	Stainless steel
Bushes	Brass
Seals	Viton
Spring housing	Nylon

## Technical information

Type	Spool valve
Style	Body ported
Port size	G <sup>1/8</sup>
Mounting	Any plane
Temperature range	-10°C to +80°C

## Pneumatic information

Pressure range	Vacuum to 10 bar
Minimum pilot pressure	3 bar
Nominal Ø	3,2mm
Nominal flow at 7 bar	7 dm <sup>3</sup> /s
Cv factor	0,24

## Ordering information

Part nos.	Type	Actuator	Return	Symbol	Optional air pilot return
<b>B43003RS</b>	3/2	Roller	Spring		
<b>B43004RS</b>	5/2	Roller	Spring		
<b>B43003RTS</b>	3/2	One way roller trip	Spring		
<b>B43004RTS</b>	5/2	One way roller trip	Spring		
<b>B43003RT</b>	3/2	One way trip	Spring		
<b>B43004RT</b>	5/2	One way trip	Spring		

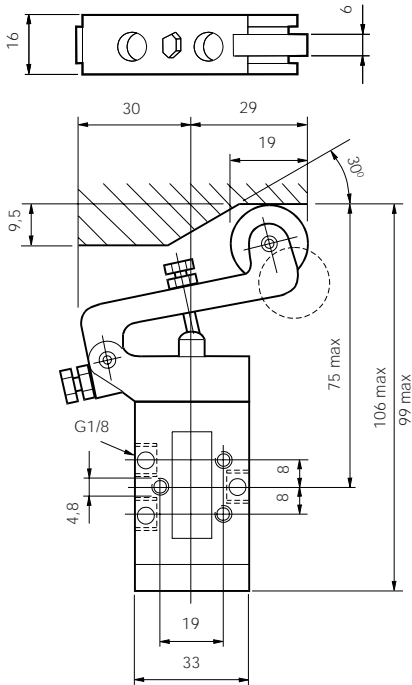
**Note:** All valves featured on this page are available with an air pilot return mechanism.

To order delete 'S' for spring and add 'P'. e.g. **B43003CP**  
For dimensions of air pilot housing see page 3.

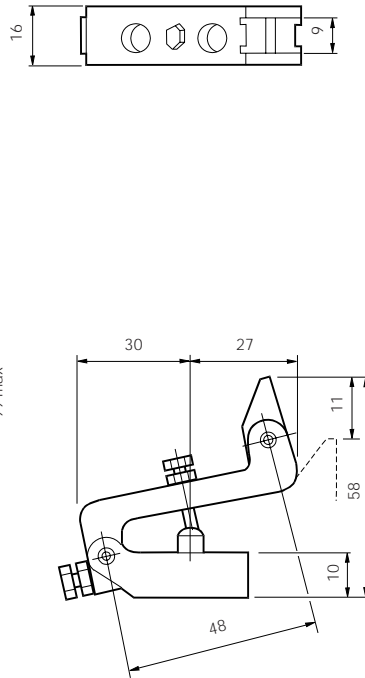
# Directional control valves G<sup>1</sup>/<sub>8</sub> 3/2 - 5/2

## 3/2 valve dimensions (mm)

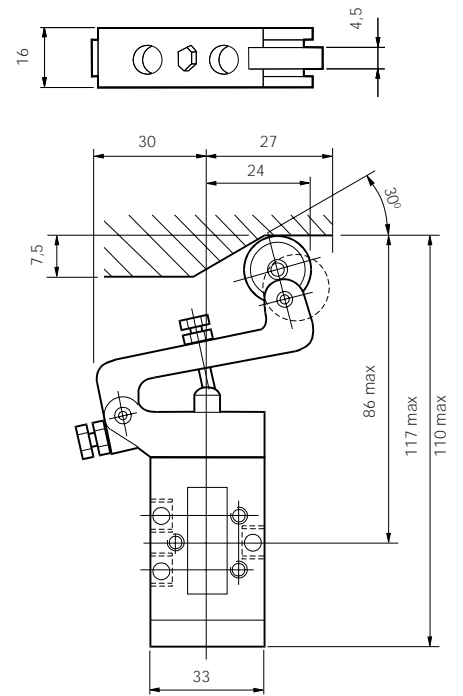
Roller operated  
spring return



One way trip

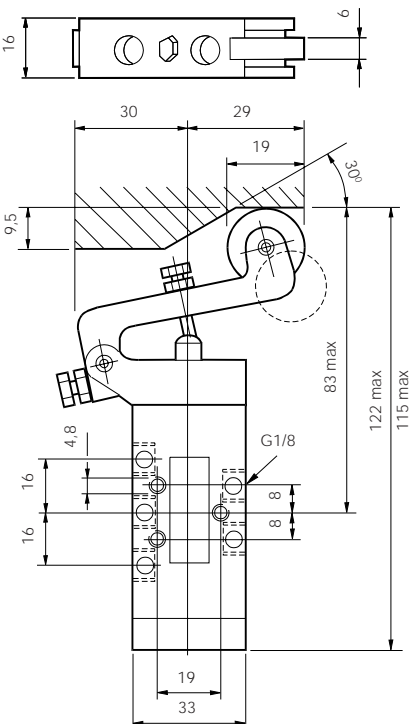


One way roller trip operated  
spring return

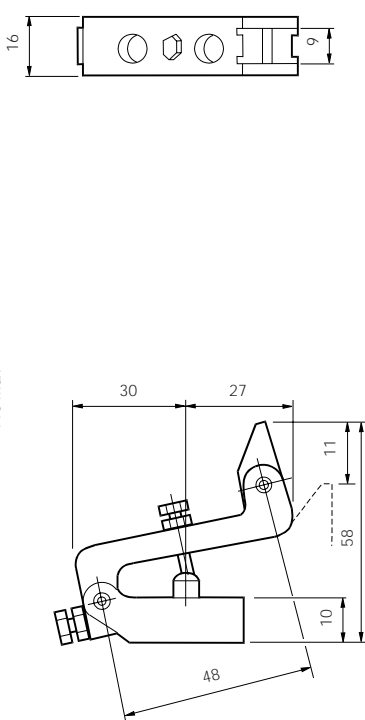


## 5/2 valve dimensions (mm)

Roller operated  
spring return



One way trip



One way roller trip operated  
spring return

